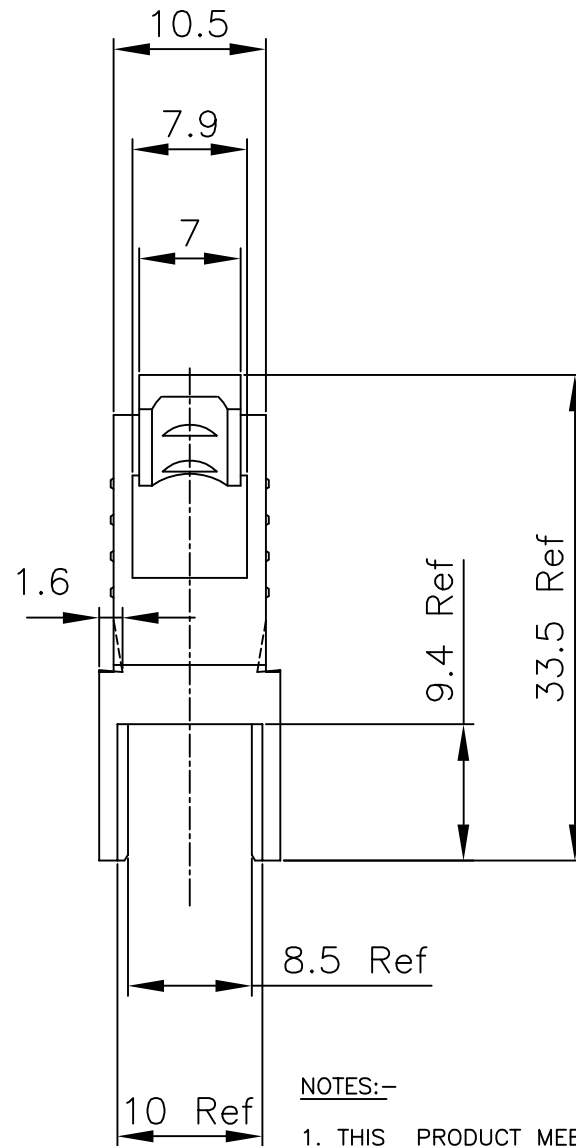
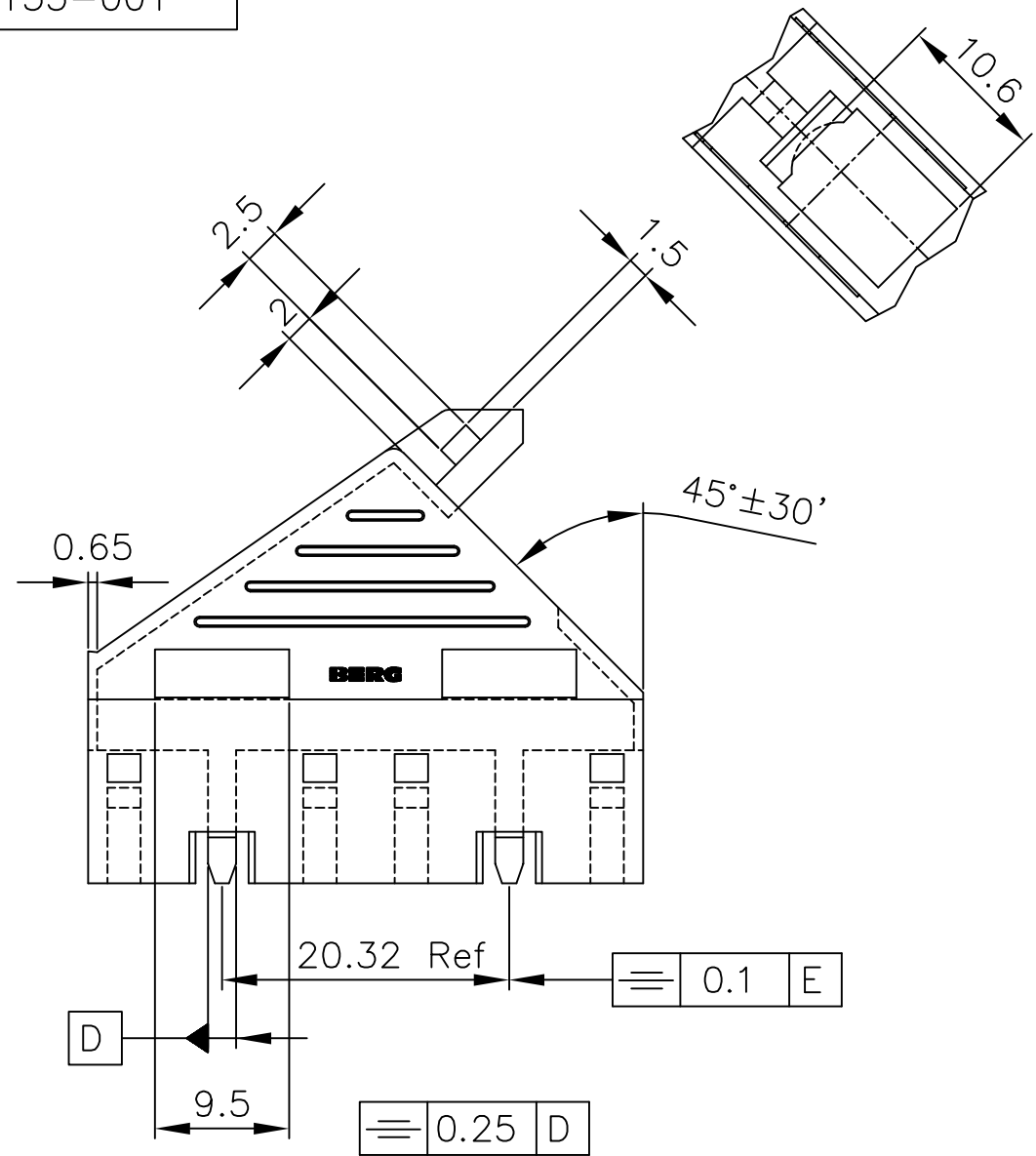
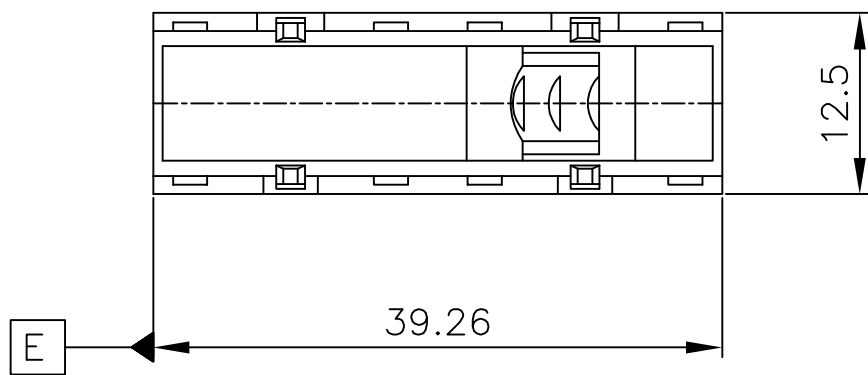


Product number
65135-001



NOTES:-

1. THIS PRODUCT MEETS EUROPEAN UNION DIRECTIVES AND OTHER COUNTRY REGULATIONS AS DESCRIBED IN GS-22-008.
2. LEADFREE OR RoHS DIRECTIVE LABELLING TO BE PROVIDED AS PER GS-14-920.
3. " LF " SUFFIX TO PRODUCT NUMBER FOR RoHS COMPATIBLE/ LEADFREE VERSION.
4. PARTS WITH AND WITHOUT "LF " SUFFIX ARE FORM-FIT AND FUNCTIONALLY IDENTICAL. " LF " SUFFIX PROVIDED FOR PART NUMBER STANDARDISATION OF PART THAT MEETS RoHS REQUIREMENTS.
5. Material: Thermoplastic polyester, 30% Glassfilled .Colour: Black; UL-94-V0



mat'l. code		surface		tolerance		projection		product family			
See note		ISO 1302		ISO 406		ISO 1101		Backpanel			
ltr	ecn no	dr	date	tolerances unless otherwise specified		mm		title			
K	106-0068	MINI	2006-06-01	angles	linear	mm		2x3x7 pos..			
D	H40359	AO	1994-05-30			mm		COVER			
E	H40431	DDB	1994-07-05			scale -					
F	H40762	DDB	1994-11-28	dr	Oppers.A	1994-05-30		dwg no			
G	H40711	RVI	1995-02-06	engr	Loman.M	1994-05-30		sheet 1 of 1			
H	105-0042	MINI	2005-03-17	chr	Rakhee George	2006-06-01		size			
J	105-0248	MINI	2005-11-22	app	Rakhee George	2006-06-01		A3			
sheet index		revision	K							type	
		sheet	1							CUSTOMER Drawing	