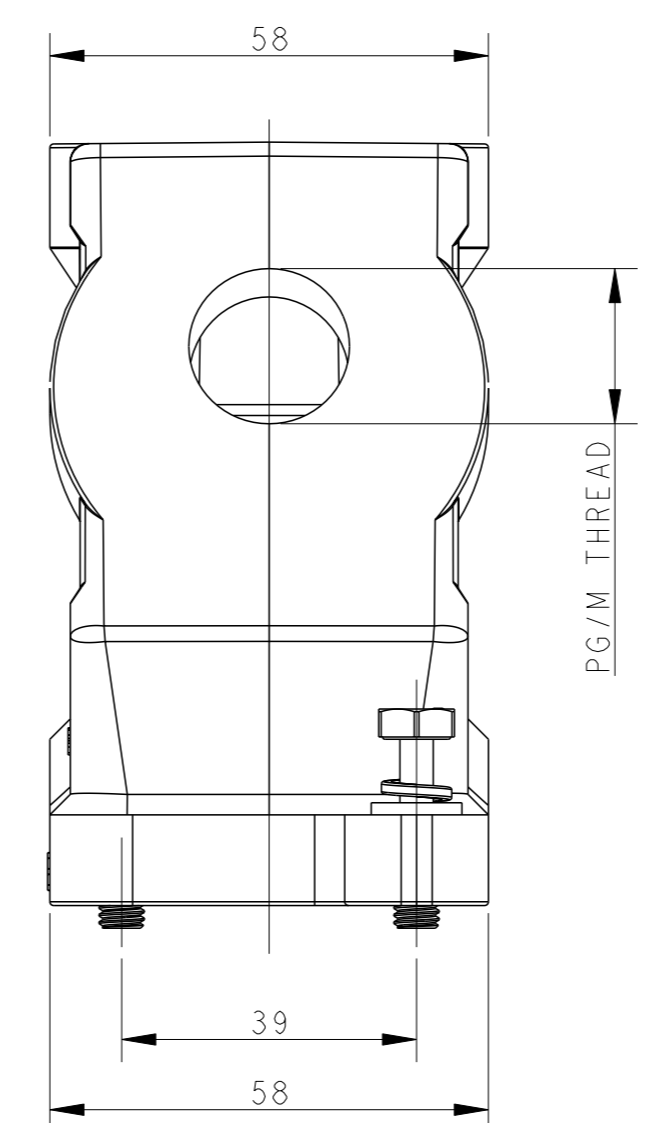
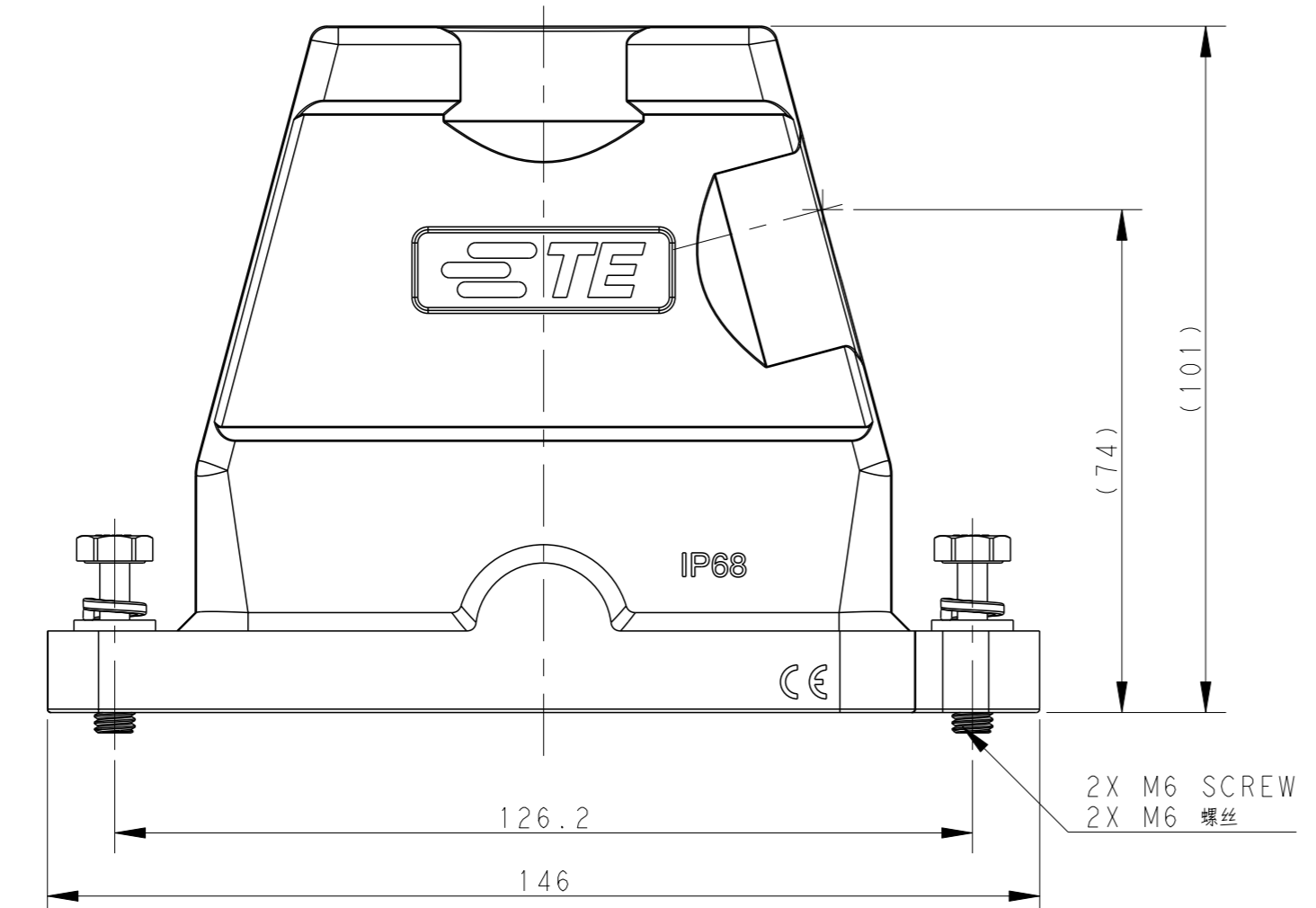
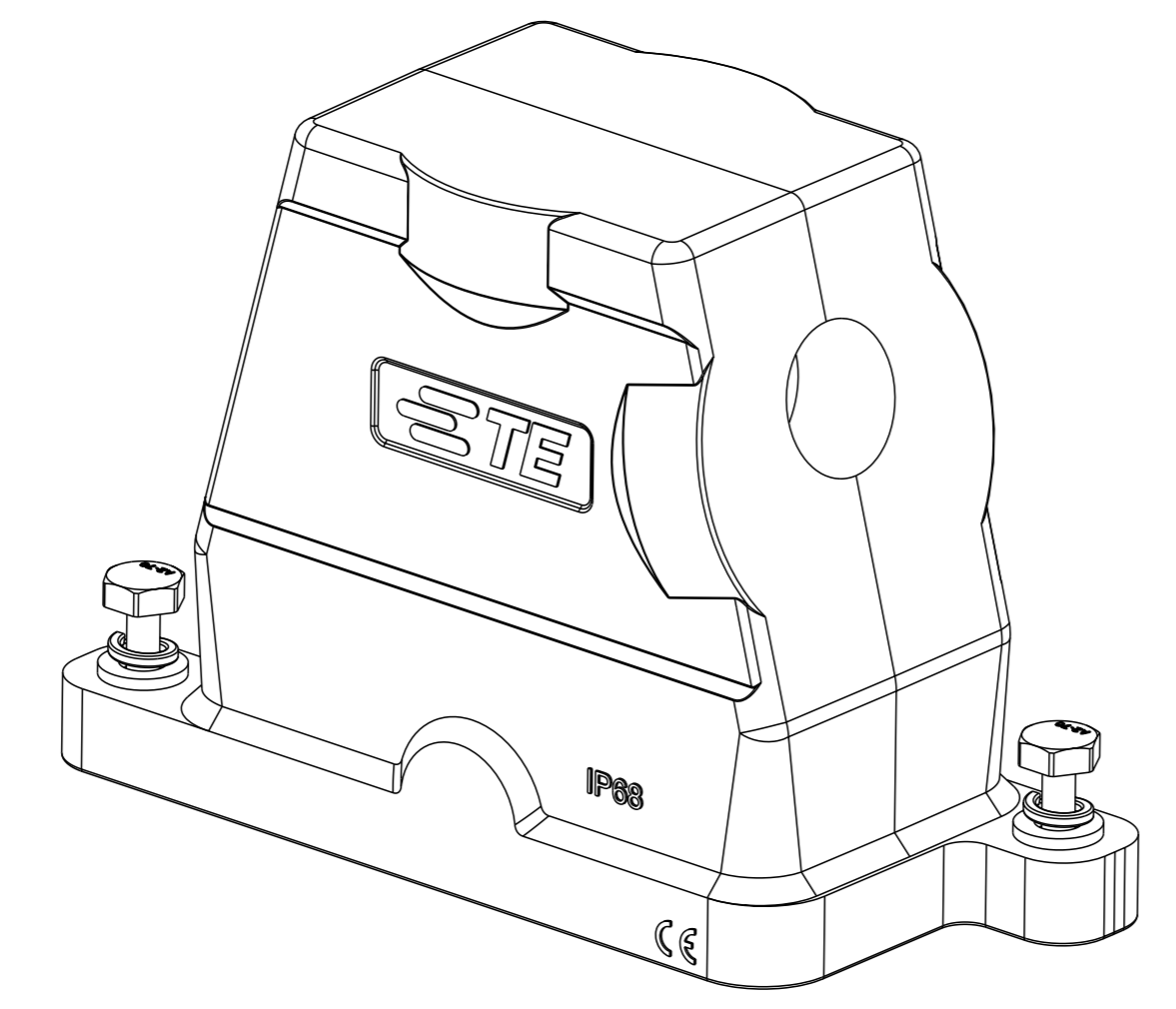
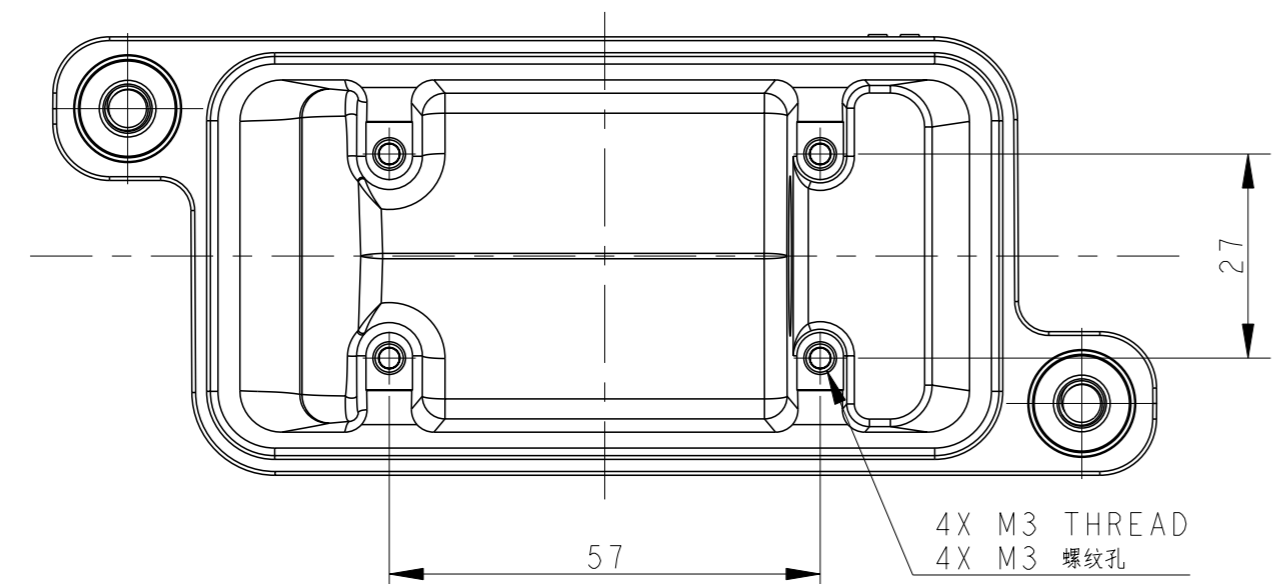


REVISIONS				
#	LY#	DESCRIPTION	DATE	APPV
A		INITIAL RELEASE	20SEP2016	DW CW
B		ECR-20-016312	03JUN2021	BS CW



NOTES:
 1. TECHNICAL CHARACTERISTICS:
 HOOD MATERIAL: DIE CAST ALUMINIUM ALLOY
 SURFACE: SEE TABLE
 DEGREE OF PROTECTION: IP68 (MATED)

注释
 1. 技术参数:
 壳体材料: 铝合金
 表面处理: 见表格
 防护等级: IP68 (配合)



PART NUMBER	料号	PART DESCRIPTION	描述	PG/M THREAD	PG/M 螺纹
T1910102140-009	HIOBPR-TSH-M40-EMC-C	HIOBPR HOOD, DIAGONAL LOCKING, SIDE ENTRY M40, POWDER COATED, GREY	HIOBPR 对角锁定侧出壳 M40 灰色	M40	
T1910102132-009	HIOBPR-TSH-M32-EMC-C	HIOBPR HOOD, DIAGONAL LOCKING, SIDE ENTRY M32, POWDER COATED, GREY	HIOBPR 对角锁定侧出壳 M32 灰色	M32	
T1910102129-009	HIOBPR-TSH-PG29-EMC-C	HIOBPR HOOD, DIAGONAL LOCKING, SIDE ENTRY PG29, POWDER COATED, GREY	HIOBPR 对角锁定侧出壳 PG29 灰色	PG29	
T1910102125-009	HIOBPR-TSH-M25-EMC-C	HIOBPR HOOD, DIAGONAL LOCKING, SIDE ENTRY M25, POWDER COATED, GREY	HIOBPR 对角锁定侧出壳 M25 灰色	M25	
T1910102121-009	HIOBPR-TSH-PG21-EMC-C	HIOBPR HOOD, DIAGONAL LOCKING, SIDE ENTRY PG21, POWDER COATED, GREY	HIOBPR 对角锁定侧出壳 PG21 灰色	PG21	
T1910102120-009	HIOBPR-TSH-M20-EMC-C	HIOBPR HOOD, DIAGONAL LOCKING, SIDE ENTRY M20, POWDER COATED, GREY	HIOBPR 对角锁定侧出壳 M20 灰色	M20	
T1910102116-009	HIOBPR-TSH-PG16-EMC-C	HIOBPR HOOD, DIAGONAL LOCKING, SIDE ENTRY PG16, POWDER COATED, GREY	HIOBPR 对角锁定侧出壳 PG16 灰色	PG16	
T1910101140-009	HIOBPR-TSH-M40-EMC-C	HIOBPR HOOD, DIAGONAL LOCKING, SIDE ENTRY M40, POWDER COATED, SILVER WHITE	HIOBPR 对角锁定侧出壳 M40 银白色	M40	
T1910101132-009	HIOBPR-TSH-M32-EMC-C	HIOBPR HOOD, DIAGONAL LOCKING, SIDE ENTRY M32, POWDER COATED, SILVER WHITE	HIOBPR 对角锁定侧出壳 M32 银白色	M32	
T1910101129-009	HIOBPR-TSH-PG29-EMC-C	HIOBPR HOOD, DIAGONAL LOCKING, SIDE ENTRY PG29, POWDER COATED, SILVER WHITE	HIOBPR 对角锁定侧出壳 PG29 银白色	PG29	
T1910101125-009	HIOBPR-TSH-M25-EMC-C	HIOBPR HOOD, DIAGONAL LOCKING, SIDE ENTRY M25, POWDER COATED, SILVER WHITE	HIOBPR 对角锁定侧出壳 M25 银白色	M25	
T1910101121-009	HIOBPR-TSH-PG21-EMC-C	HIOBPR HOOD, DIAGONAL LOCKING, SIDE ENTRY PG21, POWDER COATED, SILVER WHITE	HIOBPR 对角锁定侧出壳 PG21 银白色	PG21	
T1910101120-009	HIOBPR-TSH-M20-EMC-C	HIOBPR HOOD, DIAGONAL LOCKING, SIDE ENTRY M20, POWDER COATED, SILVER WHITE	HIOBPR 对角锁定侧出壳 M20 银白色	M20	
T1910101116-009	HIOBPR-TSH-PG16-EMC-C	HIOBPR HOOD, DIAGONAL LOCKING, SIDE ENTRY PG16, POWDER COATED, SILVER WHITE	HIOBPR 对角锁定侧出壳 PG16 银白色	PG16	
T1910100140-009	HIOBPR-TSH-M40-EMC-C	HIOBPR HOOD, DIAGONAL LOCKING, SIDE ENTRY M40, POWDER COATED, BLACK	HIOBPR 对角锁定侧出壳 M40 黑色	M40	
T1910100132-009	HIOBPR-TSH-M32-EMC-C	HIOBPR HOOD, DIAGONAL LOCKING, SIDE ENTRY M32, POWDER COATED, BLACK	HIOBPR 对角锁定侧出壳 M32 黑色	M32	
T1910100129-009	HIOBPR-TSH-PG29-EMC-C	HIOBPR HOOD, DIAGONAL LOCKING, SIDE ENTRY PG29, POWDER COATED, BLACK	HIOBPR 对角锁定侧出壳 PG29 黑色	PG29	
T1910100125-009	HIOBPR-TSH-M25-EMC-C	HIOBPR HOOD, DIAGONAL LOCKING, SIDE ENTRY M25, POWDER COATED, BLACK	HIOBPR 对角锁定侧出壳 M25 黑色	M25	
T1910100121-009	HIOBPR-TSH-PG21-EMC-C	HIOBPR HOOD, DIAGONAL LOCKING, SIDE ENTRY PG21, POWDER COATED, BLACK	HIOBPR 对角锁定侧出壳 PG21 黑色	PG21	
T1910100120-009	HIOBPR-TSH-M20-EMC-C	HIOBPR HOOD, DIAGONAL LOCKING, SIDE ENTRY M20, POWDER COATED, BLACK	HIOBPR 对角锁定侧出壳 M20 黑色	M20	
T1910100116-009	HIOBPR-TSH-PG16-EMC-C	HIOBPR HOOD, DIAGONAL LOCKING, SIDE ENTRY PG16, POWDER COATED, BLACK	HIOBPR 对角锁定侧出壳 PG16 黑色	PG16	

THIS DRAWING IS A CONTROLLED DOCUMENT. TOLERANCES UNLESS OTHERWISE SPECIFIED:

DIMENSIONS:	mm	0 PLC ±	2 PLC ±	3 PLC ±	4 PLC ±	ANGLES FINISH ±
-------------	----	---------	---------	---------	---------	-----------------

MATERIAL: - FINISH: -

DAVID WANG 20SEP2016
 CHRIS WANG 20SEP2016
 XIANG XU 20SEP2016

STE TE Connectivity
 HIOBPR-TSH-PG/M-EMC-C

SIZE: A1 CAGE CODE: - DRAWING NO: T191010XXXXX09
 SCALE: 1:1 SHEET 1 OF 1 REV B

Printed on 7 Jun 2021 15:26 (China Standard Time) from T191010XXXXX09