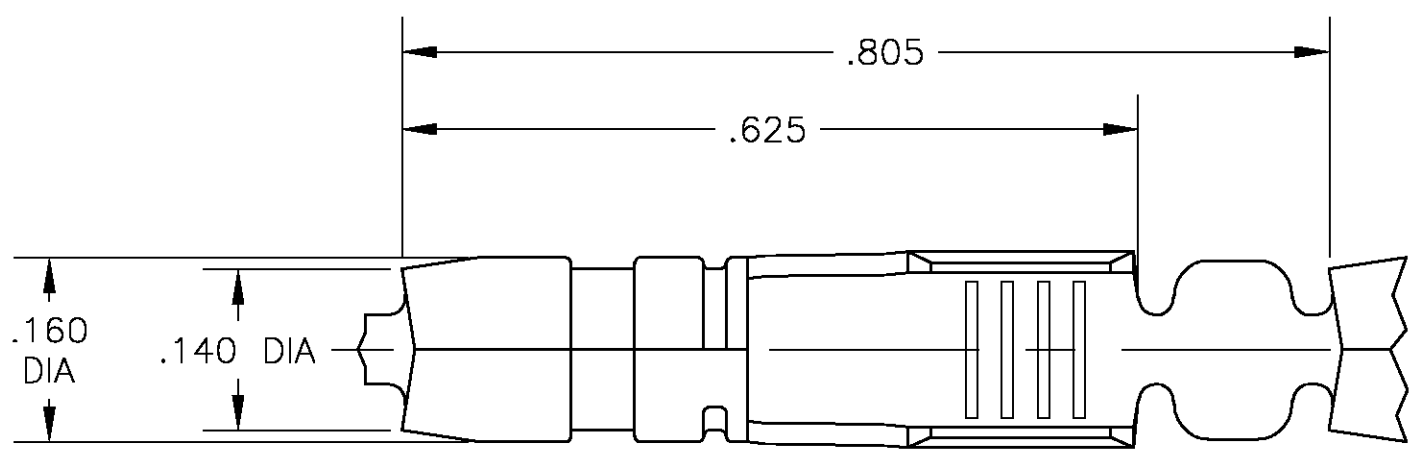
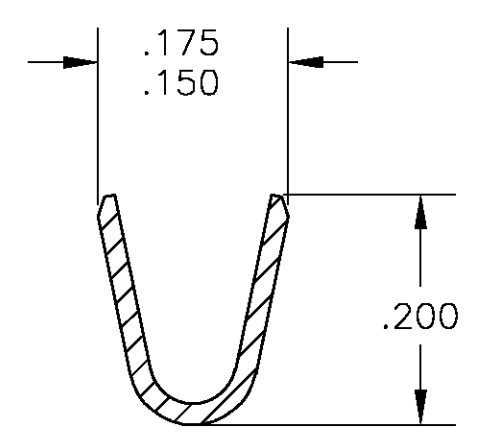
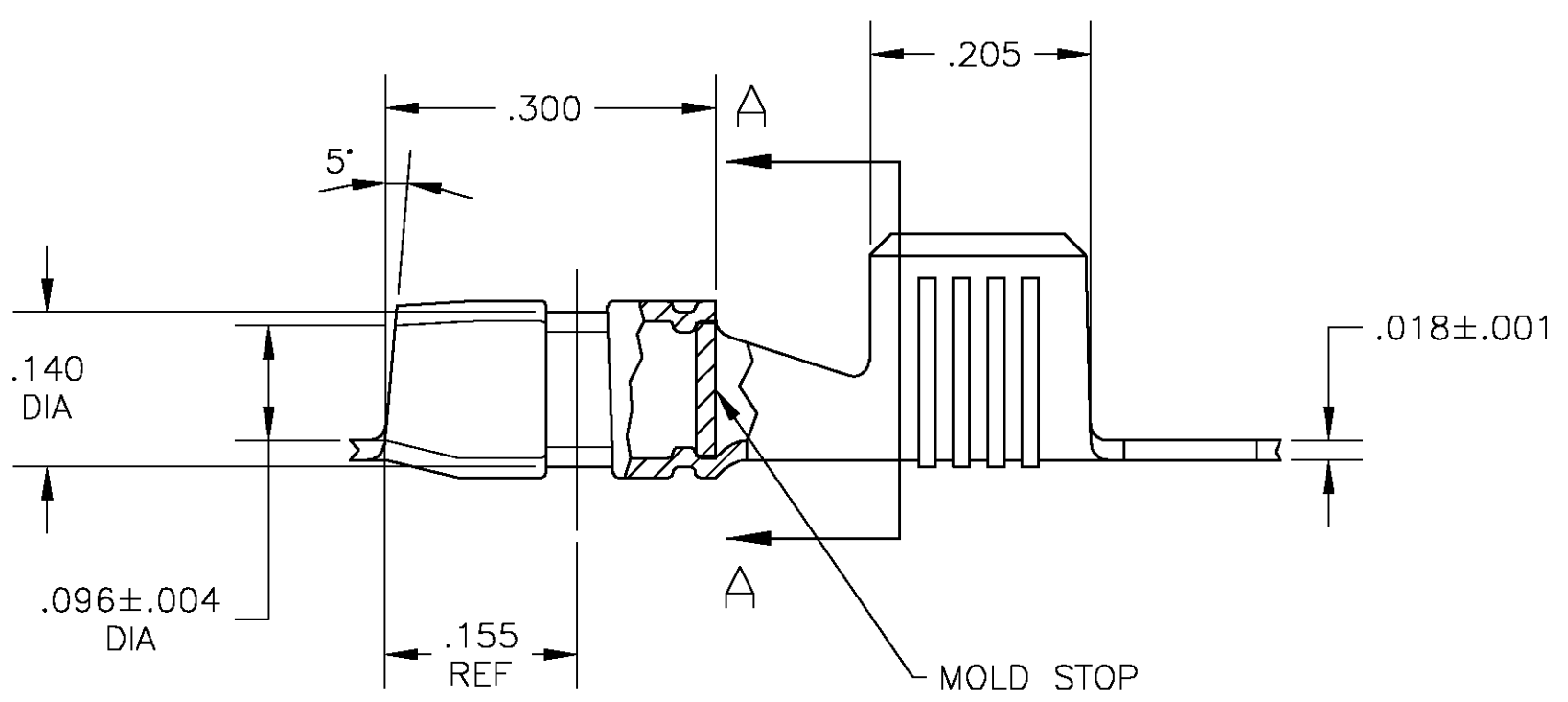


THIS DRAWING IS UNPUBLISHED. RELEASED FOR PUBLICATION  
 © COPYRIGHT BY TYCO ELECTRONICS CORPORATION. ALL RIGHTS RESERVED.

| LOC | DIST | REVISIONS   |                      |         |       |
|-----|------|-------------|----------------------|---------|-------|
| P   | LTR  | DESCRIPTION | DATE                 | DWN     | APVD  |
| AF  | 50   | C           | REL PER 0G3A-0098-05 | 09MAR05 | JR DD |



- 1 CONTINUOUS STRIP ON REELS
- 2 WIRE SIZE IS #10-#14 ( 9600 CMA MAX )  
OR TWO #14'S
- 3 .000130 MAX PRE-TIN



SECTION A-A

1742039-1  
PART NO

|  |             |                             |   |                              |               |  |
|--|-------------|-----------------------------|---|------------------------------|---------------|--|
| THIS DRAWING IS A CONTROLLED DOCUMENT. |             | DWN<br>JR RUTH<br>19DEC2003 | Tyco Electronics Corporation<br>Harrisburg, Pa 17105-3608 |                              |               |  |
| DIMENSIONS:<br>INCHES                  |             | CHK<br>D DECKER<br>19DEC03  |   |                              |               |  |
|  |             | APVD<br>D DECKER<br>19DEC03 | NAME<br>SHUR PLUG,<br>.156 DIA                            |                              |               |  |
| TOLERANCES UNLESS OTHERWISE SPECIFIED: |             | PRODUCT SPEC                | SIZE  |                              |               |  |
| 0 PLC ± -                              | FINISH<br>3 | APPLICATION SPEC            | CAGE CODE   | DRAWING NO                   | RESTRICTED TO |  |
| 1 PLC ± -                              |             | —                           | A300779   | C-1742039                    | —             |  |
| 2 PLC ± -                              |             | MATERIAL<br>081 BRASS       | WEIGHT  | SCALE 1:1 SHEET 1 OF 1 REV C |               |  |
| 3 PLC ± .010                           |             |                             | —   | CUSTOMER DRAWING             |               |  |
| 4 PLC ± -                              |             |                             |   |                              |               |  |
| ANGLES ± 1'                            |             |                             |   |                              |               |  |