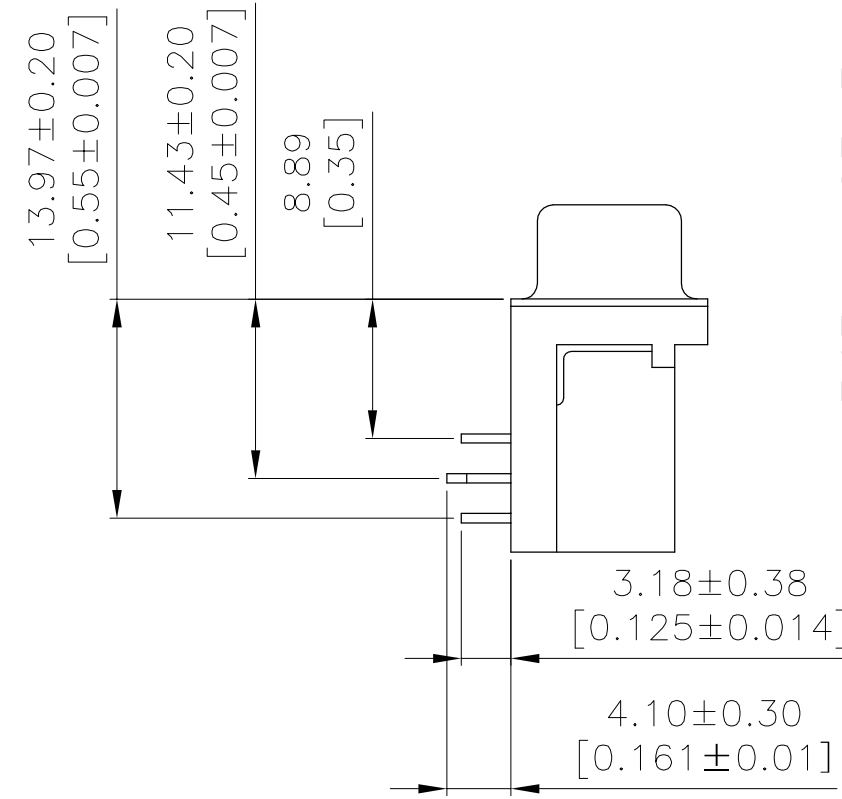
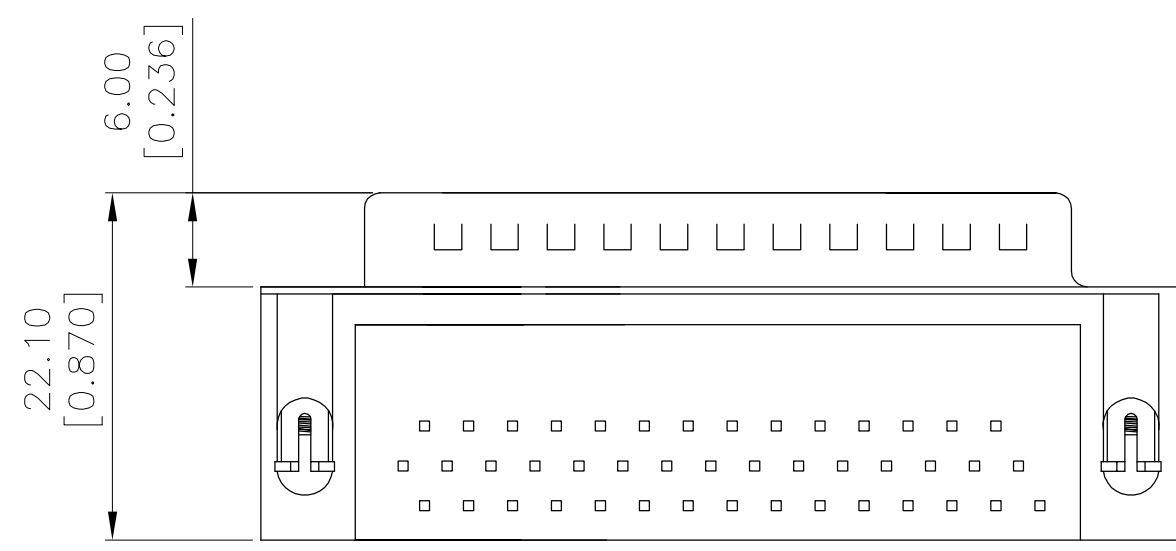
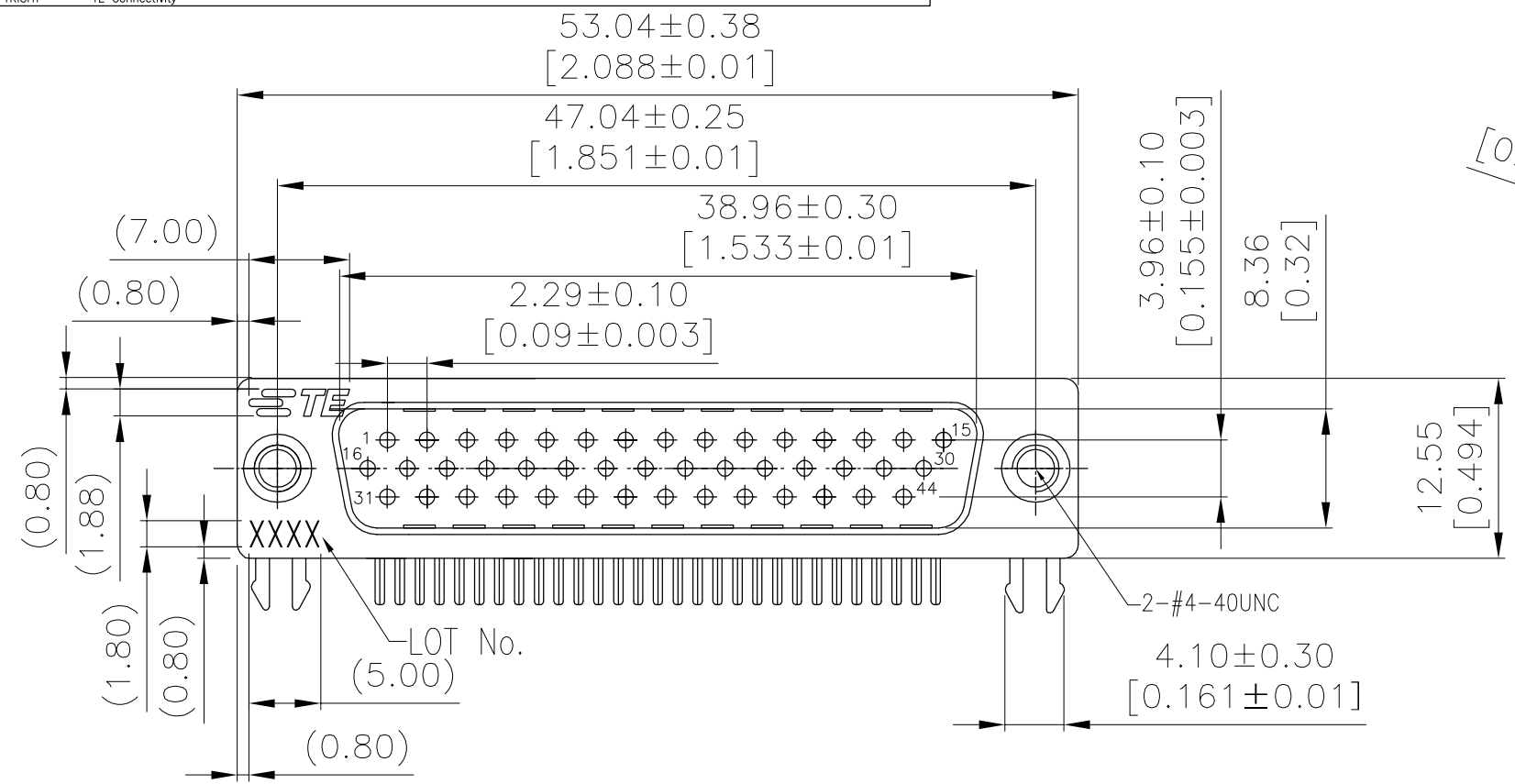
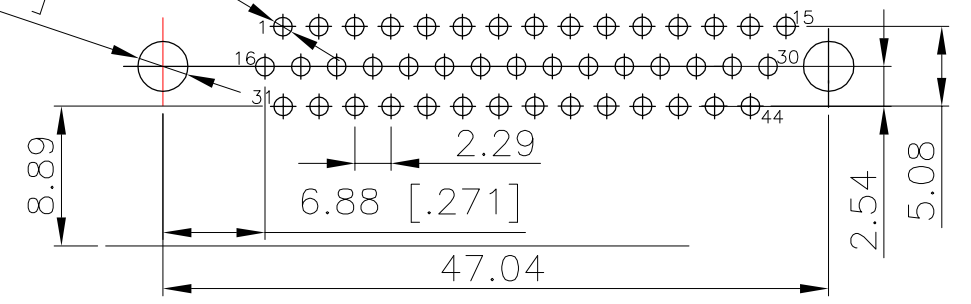


REVISIONS				
P	LTR	DESCRIPTION	DATE	APVD
D		REVISED PER ECO-18-008015	24MAY2018	AP DG



RECOMMENDED PCB LAYOUT
 TOLERANCE IS ± 0.05



NOTES:

- Housing: PBT+30%GF(UL94V-0) BLACK
- Contact: Brass
- " GOLD PLATING ON CONTACT AREA
- 100u" MATTE TIN PLATING ON SOLDER TAIL
- 50u" NICKEL UNDERPLATED OVERALL
- HOLDDOWN: Brass, 100u" TIN OVER 50u" NICKEL
- Shell: Cold Roller Steel, Ni Plated
- Revit: Brass, Nickel Plating

LOT NUMBER "XXXX"
 — Stands For Calendar Year
 — Stands For Week Number

THREADED	30μAu	2311777-1
TYPE	Contact Area	P/N
	Plating	

THIS DRAWING IS A CONTROLLED DOCUMENT.		DWN AJITH PAI 25FEB2017	TE Connectivity																			
DIMENSIONS: mm		CHK DANIEL GORENC 25FEB2017																				
TOLERANCES UNLESS OTHERWISE SPECIFIED:		APVD DANIEL GORENC 25FEB2017	NAME AMPLIMITE PLUG, HD22, RIGHT ANGLE, 44P THREADED																			
<table border="1"> <tr><td>0 PLC</td><td>±</td><td>-</td></tr> <tr><td>1 PLC</td><td>±</td><td>-</td></tr> <tr><td>2 PLC</td><td>±</td><td>0.25</td></tr> <tr><td>3 PLC</td><td>±</td><td>-</td></tr> <tr><td>4 PLC</td><td>±</td><td>-</td></tr> <tr><td>ANGLES</td><td>±</td><td>-</td></tr> </table>		0 PLC	±	-	1 PLC	±	-	2 PLC	±	0.25	3 PLC	±	-	4 PLC	±	-	ANGLES	±	-	PRODUCT SPEC 108-130023	RESTRICTED TO	
0 PLC	±	-																				
1 PLC	±	-																				
2 PLC	±	0.25																				
3 PLC	±	-																				
4 PLC	±	-																				
ANGLES	±	-																				
MATERIAL		APPLICATION SPEC	SIZE A2	CAGE CODE 00779																		
		WEIGHT	DRAWING NO C-2311777	REV D																		
		CUSTOMER DRAWING	SCALE 1:1	SHEET 1 of 1																		