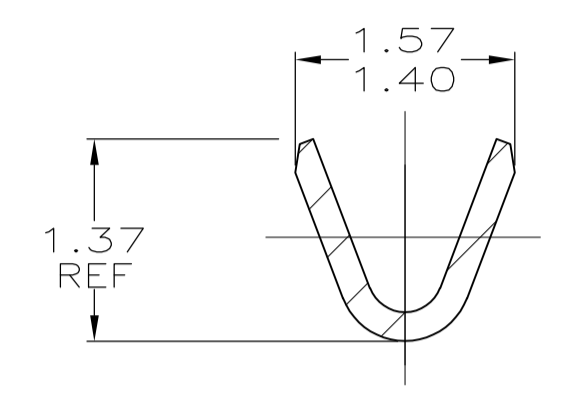
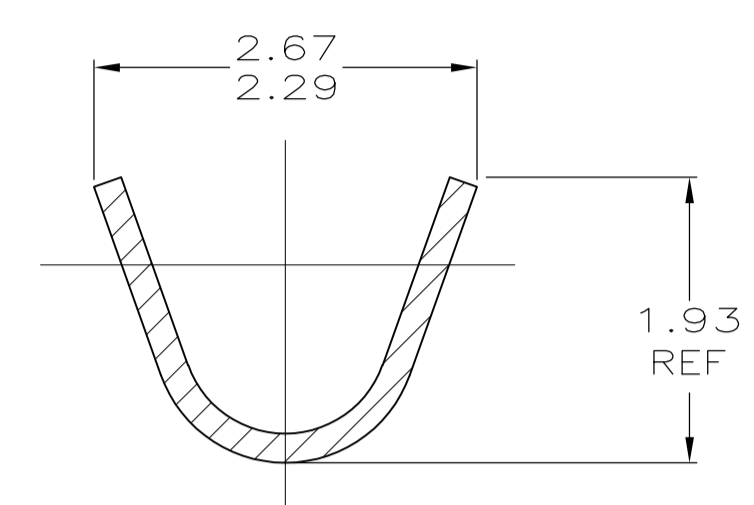


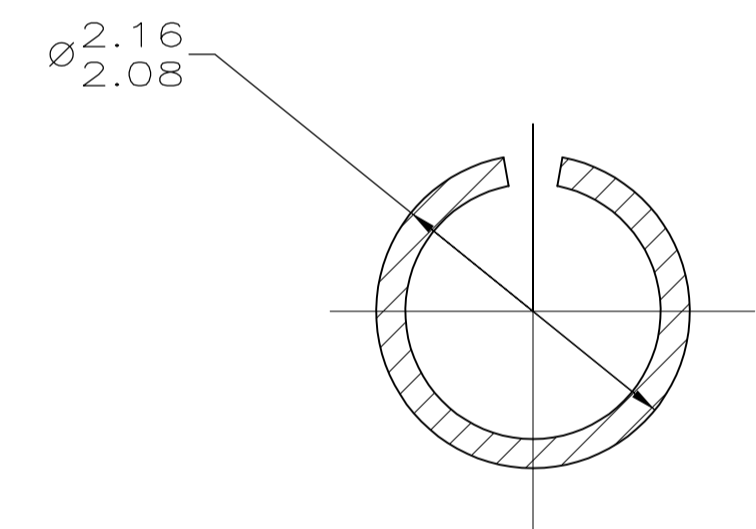
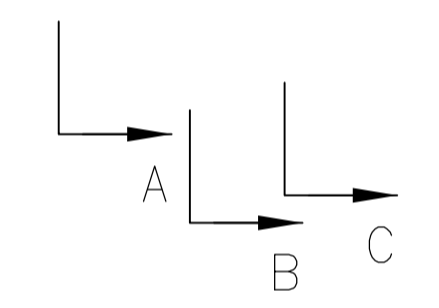
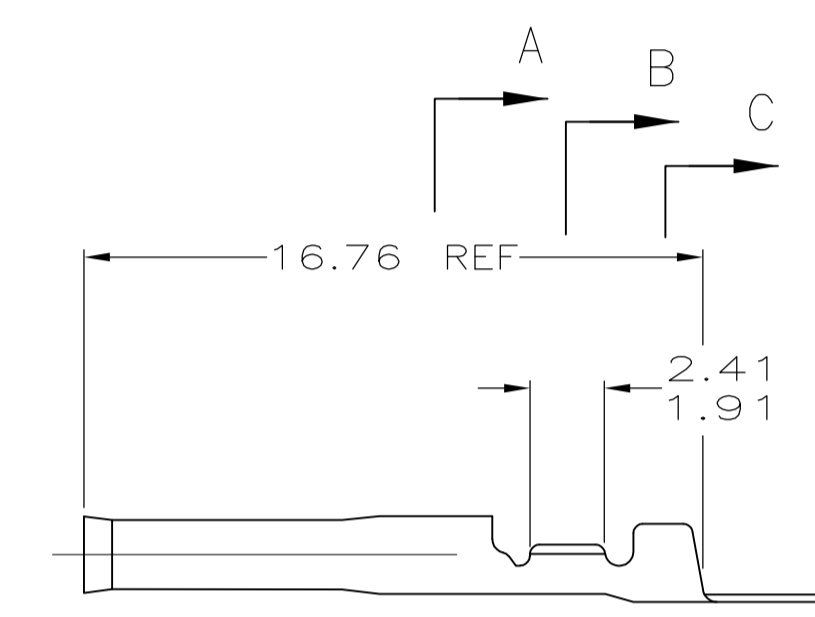
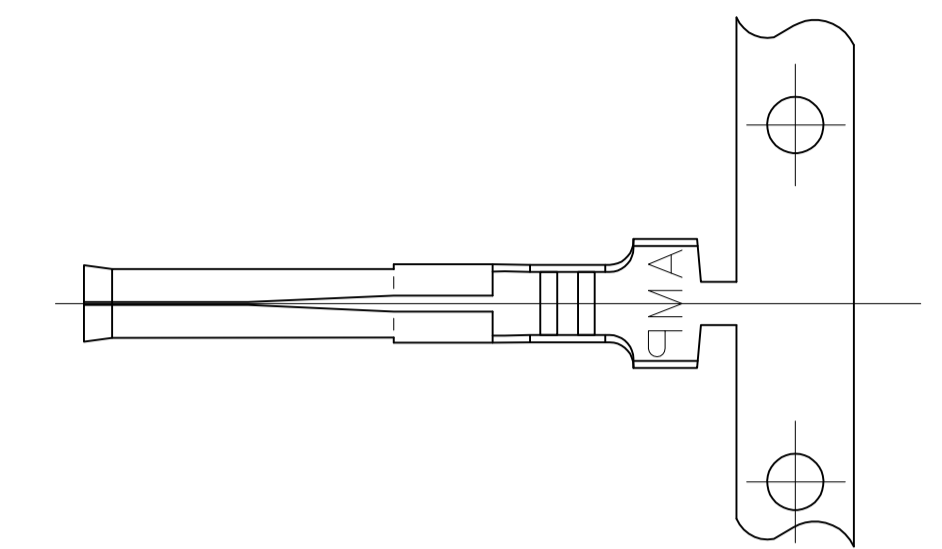
REVISIONS					
P	LR	DESCRIPTION	DATE	DWN	APVD
A		ECR-16-015436	NOV11	N.L.	D.Z



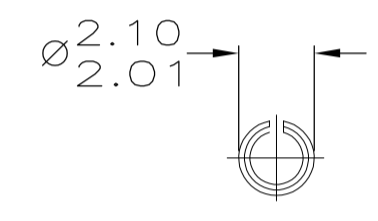
SECTION B-B
SCALE 20:1



SECTION C-C
SCALE 20:1



SECTION A-A
SCALE 20:1



MM	IN	MM	IN
2.06	.081	-	-
2.01	.079	-	-
1.93	.076	-	-
1.91	.075	-	-
1.57	.062	16.76	.660
1.52	.060	2.67	.105
1.40	.055	2.41	.095
1.37	.054	2.29	.090
0.20	.008	2.16	.085
0.13	.005	2.08	.082
MM	IN	MM	IN

CONVERSION TABLE

METRIC

PRE-TIN	0.20 BRASS	1.52 MAX	30-24(0.05-0.2mm)	794046-1
FINISH	MATERIALE	INSULATION DIAMETER	WIRE RANGE	PART NO.
THIS DRAWING IS A CONTROLLED DOCUMENT.		DWN K. SALMON 8-1-94	TE Connectivity .062 SOCKET COMMERCIAL PIN & SOCKET	
DIMENSIONS: INCHES		CHK R. SWING 8-1-94		
TOLERANCES UNLESS OTHERWISE SPECIFIED:		APVD G. CASH 8-4-94	NAME	
0 PLC ± - 1 PLC ± - 2 PLC ± - 3 PLC ± 0.13 4 PLC ± - ANGLES ± 0° 30'		PRODUCT SPEC 108-1037	SIZE CAGE CODE DRAWING NO	
MATERIAL SEE TABLE		APPLICATION SPEC 30-114-1013	RESTRICTED TO	
FINISH SEE TABLE		WEIGHT 0	A1 00779 C-794046	
CUSTOMER DRAWING		SCALE N/A	SHEET 1 OF 1 REV A	