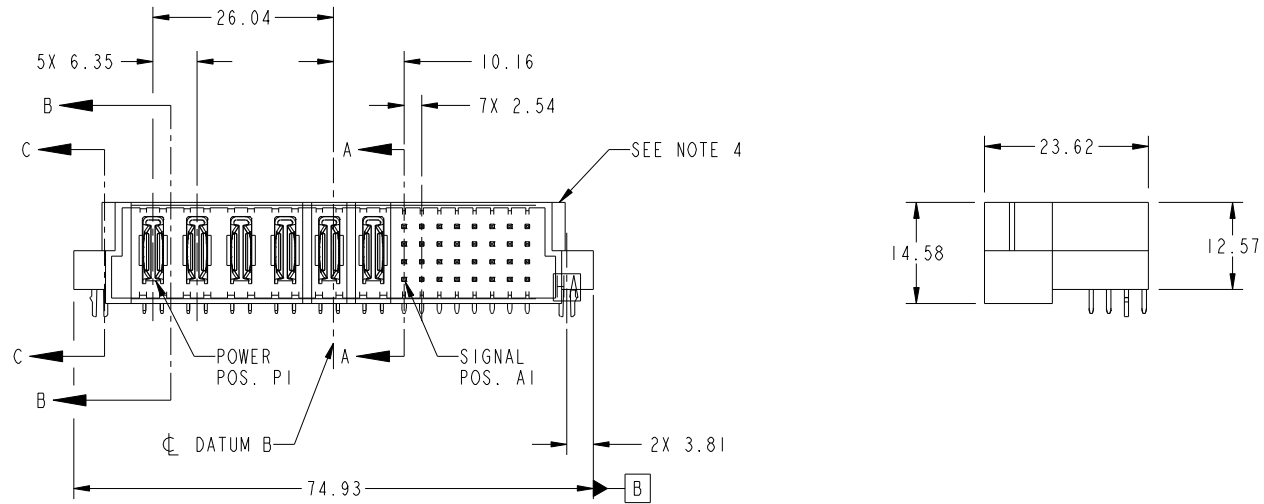
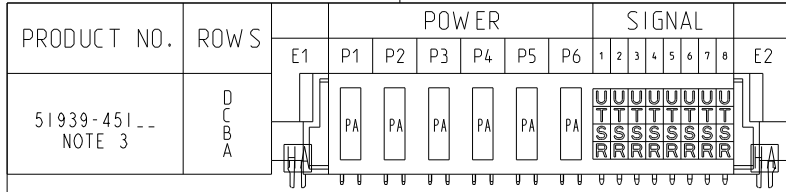


Tous droits strictement réservés. Reproduction ou communication a des tiers interdite sous quelque forme que ce soit sans autorisation écrite du propriétaire. Propriété de c FCI. Droits de reproduction FCI.



All rights strictly reserved. Reproduction or issue to third parties in any form whatever is not permitted without written authority from the proprietor. Property of FCI. Copyright FCI.



CODE	DIM "M" MATING LENGTH	CONTACT TYPE
U	[6.86]	SIGNAL
T	[6.86]	SIGNAL
S	[6.86]	SIGNAL
R	[6.86]	SIGNAL
PA	[N/A]	POWER
HA	[N/A]	HOLD-DOWN

mat'l code				SEE NOTE		tolerances unless otherwise specified		CUSTOMER		 www.fciconnect.com	
ltr	ecn no.	dr	date	linear	0.X ±0.5	projection		COPY		title	
A	DG09-0236	WL	07/24/09	angles	0.XX ±0.25					6P + 32S RIGHT ANGLE SOLDER HEADER	
				dr	0.XXX ±0.1			product family		PwrBlade	code
				enr	0° ±2°	scale		size	dwg no	213	
				chr	WL ZHANG 07/24/09	1:1		A	51939-451	sheet	
				appd	WARREN DU 07/24/09					1 of 4	
					PM ZHENG 07/24/09						
					JOSEPH HSIA 07/24/09						
sheet index	revision sheet	A	A	A	A						
		1	2	3	4						

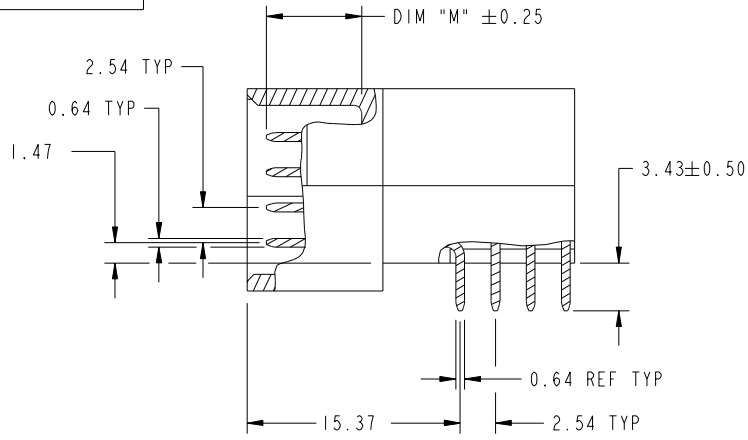
cage code 22526

Tous droits strictement reserves. Reproduction ou communication a des tiers interdite sous quelque forme que ce soit sans autorisation écrite du propriétaire. Propriete de c FCI. Droits de reproduction FCI.

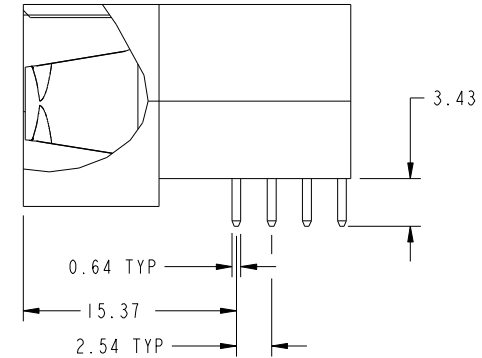
All rights strictly reserved. Reproduction or issue to third parties in any form whatever is not permitted without written authority from the proprietor. Property of FCI. Copyright FCI.



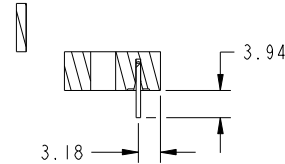
PRODUCT NUMBER
51939-451--
NOTE: 3



BROKEN-OUT SECTION A-A
SCALE 2:1



BROKEN-OUT SECTION B-B
SCALE 2:1



SECTION C-C

mat'l code				SEE NOTE		tolerances unless otherwise specified		CUSTOMER		 www.fciconnect.com	
ltr	ecn no.	dr	date	linear	0.X ±0.5		COPY		title 6P + 32S RIGHT ANGLE SOLDER HEADER		
A					0.XX ±0.25		projection				
					angles	0.XXX ±0.1		 MIM		product family PwrBlade code	
				dr		WL ZHANG	07/24/09	 1:1		size A 51939-451	
				enr	WARREN DU	07/24/09			sheet 2 of 4		
				chr	PM ZHENG	07/24/09					
				appd	JOSEPH HSIA	07/24/09					
sheet index		revision sheet									

cage code 22526

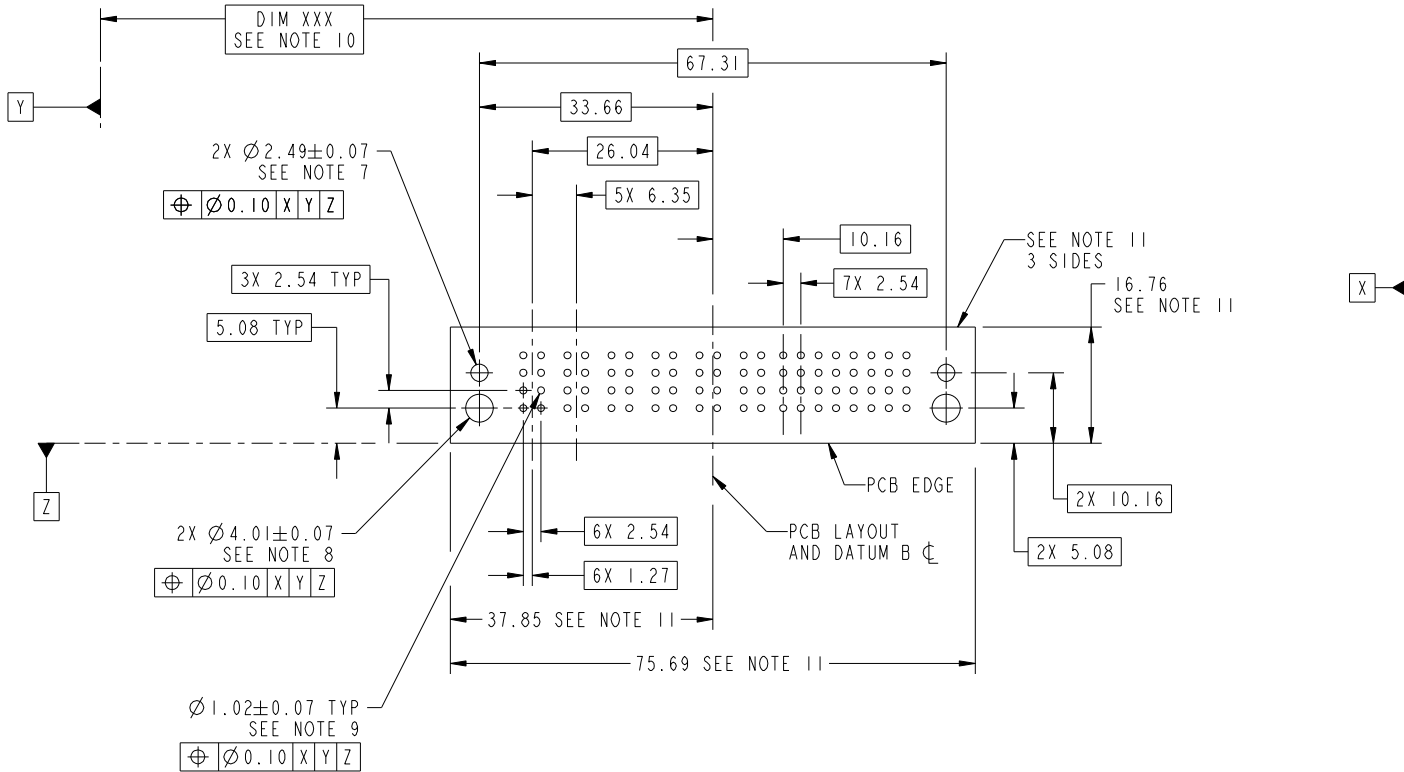
Pro/E

Tous droits strictement reserves. Reproduction ou communication a des tiers interdite sous quelque forme que ce soit sans autorisation écrite du propriétaire. Propriete de c FCI. Droits de reproduction FCI.



All rights strictly reserved. Reproduction or issue to third parties in any form whatever is not permitted without written authority from the proprietor. Property of FCI. Copyright FCI.

PRODUCT NUMBER
51939-451--
NOTE: 3



RECOMMENDED PCB LAYOUT

mat'l code		SEE NOTE		tolerances unless otherwise specified		CUSTOMER		FCI	
ltr	ecn no.	dr	date	linear	0.X ± 0.5	COPY		www.fciconnect.com	
A					0.XX ± 0.25	projection		title	
				angles	0.XXX ± 0.1			6P + 32S RIGHT ANGLE SOLDER HEADER	
				dr	0° ± 2°	MIM		product family	PwrBlade
				enr	WL ZHANG 07/24/09	scale		size	code
				chr	WARREN DU 07/24/09	1:1		dwg no	213
				appd	PM ZHENG 07/24/09			51939-451	sheet
					JOSEPH HSIA 07/24/09			3 of 4	
sheet index	revision sheet								

cage code 22526

Pro/E

Tous droits strictement reserves. Reproduction ou communication a des tiers interdite sous quelque forme que ce soit sans autorisation écrite du propriétaire. Propriete de c FCI. Droits de reproduction FCI.



All rights strictly reserved. Reproduction or issue to third parties in any form whatever is not permitted without written authority from the proprietor. Property of FCI. Copyright FCI.

PRODUCT NUMBER
51939-451--
NOTE: 3

NOTES:

1. DIMENSIONS AND TOLERANCES ARE IN ACCORDANCE WITH ASME Y14.5M, 1994 UNLESS OTHERWISE SPECIFIED.

CONNECTOR NOTES:

- 2. HOUSING MATERIAL: UL 94 V-0 GLASS FILLED
HIGH-TEMP THERMOPLASTIC
POWER CONTACT MATERIAL: COPPER ALLOY
SIGNAL PIN MATERIAL: COPPER ALLOY
- 3. PLATING SPEC.
SEE ITEM 1 & 2 IN PRINT 10064183 FOR PLATING SPEC OF 51939-451; 51939-451LF PRESPECTIVELY
- 4. MANUFACTURER'S NAME, P/N, AND DATE CODE TO APPEAR ON THIS SURFACE.
- 5. PRODUCT SPECIFICATION GS-12-149.
APPLICATION SPECIFICATION BUS-20-067.
- 6. PACKAGED IN TRAYS.

PCB NOTES:

- 7. ALL HOLE DIAMETERS ARE FINISHED HOLE SIZE.
- 8. MOUNTING HOLES, WHERE APPLICABLE, ARE UNPLATED.
- 9. $\varnothing 1.151 \pm 0.025$ DRILLED HOLES PLATED WITH 0.008 MIN SnPb OR Sn OVER 0.03 TO 0.08 Cu PLATING TO ACHIEVE $\varnothing 1.02 \pm .07$ HOLE.
- 10. "DIM XXX" TO BE DETERMINED BY THE CUSTOMER.
- 11. CONNECTOR KEEP-OUT ZONE.

mat'l code		SEE NOTE		tolerances unless otherwise specified		CUSTOMER		FCI		www.fciconnect.com	
ltr	ecn no.	dr	date	linear	0.X ± 0.5	COPY		projection	title		
A					0.XX ± 0.25	MIM			6P + 32S		
				angles	0.XXX ± 0.1	← MIM →			RIGHT ANGLE SOLDER HEADER		
				dr	WL ZHANG 07/24/09	scale		product family		PwrBlade	code
				enr	WARREN DU 07/24/09	1:1		size	dwg no		213
				chr	PM ZHENG 07/24/09	A		51939-451		sheet	4 of 4
				appd	JOSEPH HSIA 07/24/09					sheet	
sheet index	revision sheet										

cage code 22526

Pro/E