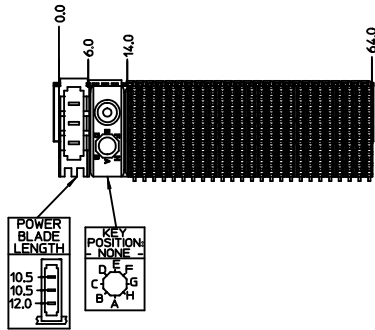


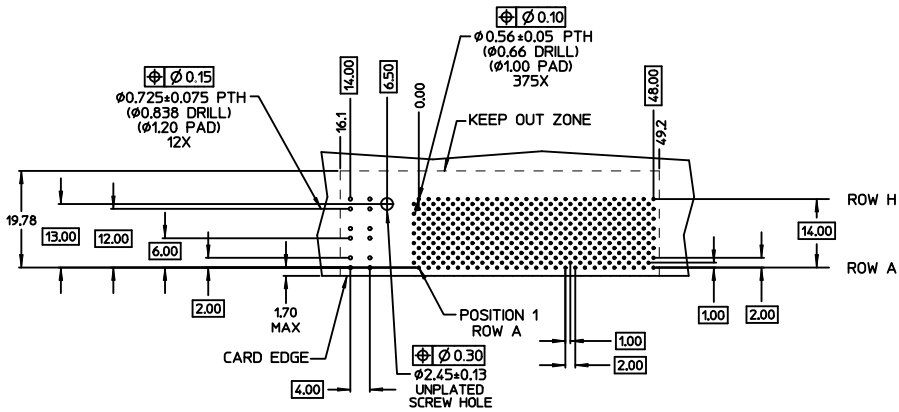
NOTES:

- MATERIALS: HOUSING : LIQUID CRYSTAL POLYMER (LCP) GLASS-FILLED, UL94V-0, BLACK. TERMINALS: COPPER ALLOY STIFFENER: STAINLESS STEEL
- FINISH: SELECTIVE GOLD (Au) 0.76 micrometer MINIMUM IN CONTACT AREA, SELECTIVE MATTE TIN (Sn) IN TAIL AREA, NICKEL (Ni) UNDERPLATE OVERALL.
- REFER TO MOLEX PRODUCT SPECIFICATION PS-74031-999 FOR PERFORMANCE SPECIFICATIONS.
- PARTS TO BE PACKAGED PER PK-70873-5041. SCREWS PACKED IN BAG INSIDE TUBE.
- THIS PART CONFORMS TO CLASS "B" REQUIREMENTS OF MOLEX COSMETIC SPECIFICATION PS-45499-002.
- REFER TO MOLEX DOCUMENT SD-74041-002 FOR ADDITIONAL DETAIL ON THE SIGNAL WAFER.
- REFER TO MOLEX DOCUMENT SD-74037-006 FOR ADDITIONAL DETAIL ON THE GUIDANCE MODULE.
- REFER TO MOLEX DOCUMENT SD-75885-002 FOR ADDITIONAL DETAIL ON THE LEAD-FREE POWER MODULE.
- LABEL MARKED WITH MOLEX PART NUMBER AND DATE CODE. LABEL MAY BE REPLACED WITH LASER MARKING ON THE STIFFENER.

LEAD-FREE
 PLATING ON
 SIGNALS,
 SHIELDS,
 AND POWERS



ITEM	PART NUMBER	PART DESCRIPTION	QTY
1	74046-0065	STIFFENER	1
2	74041-1001	SIGNAL WAFER, LF	25
3	75885-8433	POWER MODULE, LF	1
4	74037-0008	POLARIZING / GUIDE MODULE	1
5	73726-0000	GUIDE MODULE MNTG SCREW	1



DAUGHTERCARD HOLE PATTERN (CONNECTOR SIDE)

CUSTOMER: ECI

CHG TO LEAD-FREE EC NO: UCP2011-3282 DRAWN BY: DRWIN/MOLFE 2011/02/15 CHECKED BY: CHKO/SANMELLEY 2011/02/15 APPR: SMILLER 2011/05/09 REV DESCRIPTION	QUALITY SYMBOLS	GENERAL TOLERANCES (UNLESS SPECIFIED)	DIMENSION STYLE	SCALE	DESIGN UNITS	THIRD ANGLE PROJECTION	
	∇=0 ∇=0 ∇=0	4 PLACES ±---+--- 3 PLACES ±---+--- 2 PLACES ±0.25+--- 1 PLACE ±0.38+--- ANGULAR ±---°	mm INCH ---+--- ---+--- ---+--- ---+---	MM ONLY DRAWN BY DATE VARVARA 04/07/07 CHECKED BY DATE SREED 04/07/07 APPROVED BY DATE SMILLER 2011/05/09	1:1	METRIC	THIRD ANGLE PROJECTION TITLE 8 ROW VHDM, LF DAUGHTERCARD SALES DRAWING
	DRAFT WHERE APPLICABLE MUST REMAIN WITHIN DIMENSIONS		MATERIAL NO.	DOCUMENT NO.	MOLEX INCORPORATED MOLEX INCORPORATED		
			74040-1048	SD-74040-1048	SHEET NO. 1 OF 1		