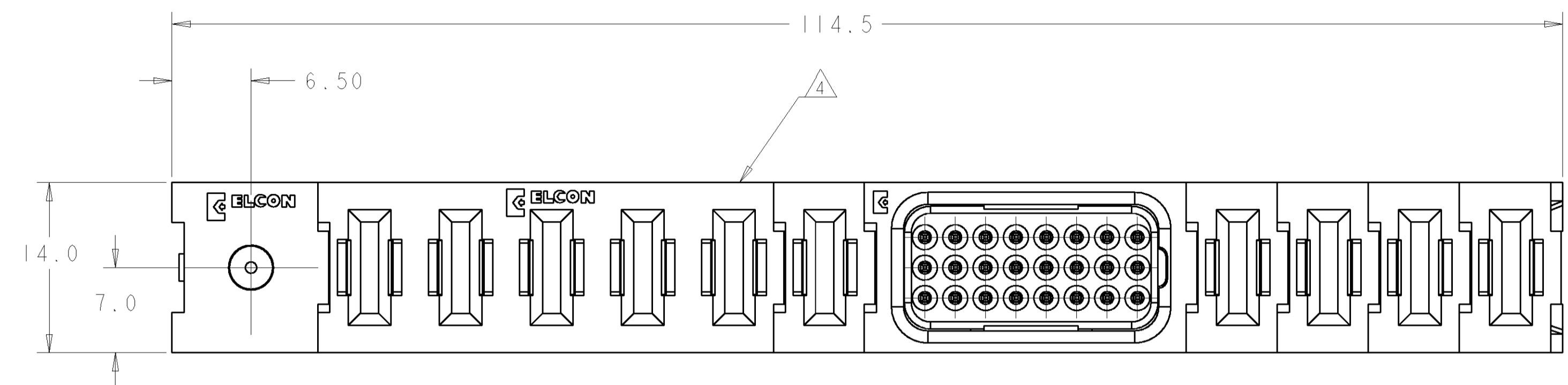


LOC	DIST	REVISIONS					
GP	00	P	LTR	DESCRIPTION	DATE	DWN	APVD
		A		NEW RELEASE	08AUG2007	RG	PD



1. PART NUMBER CHANGES AND OR DESIGN CHANGES AFFECTING ITEM INTERCHANGEABILITY REQUIRE PRIOR TYCO ELECTRONICS APPROVAL AND AUTHORIZATION BY REVISION TO THIS DRAWING.

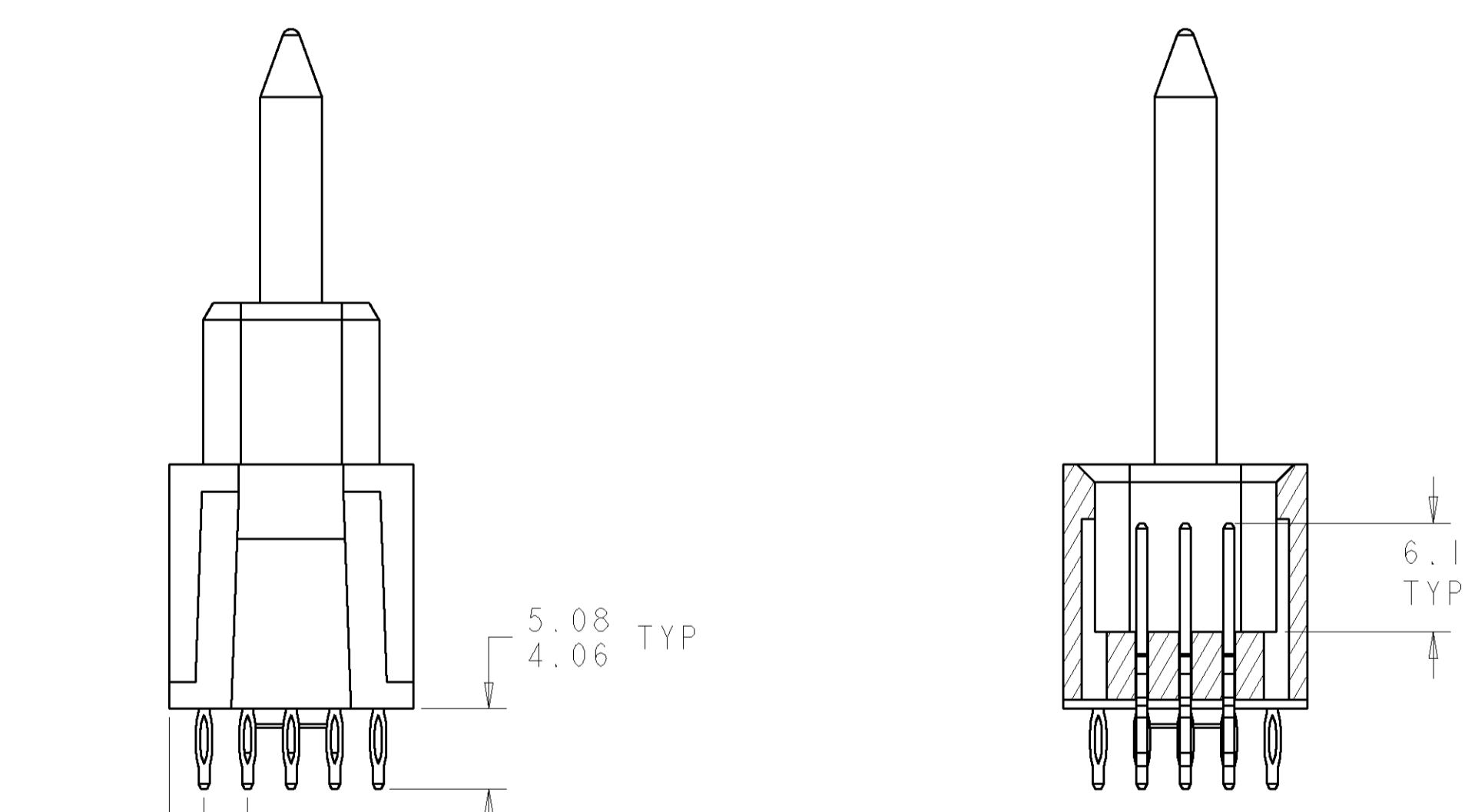
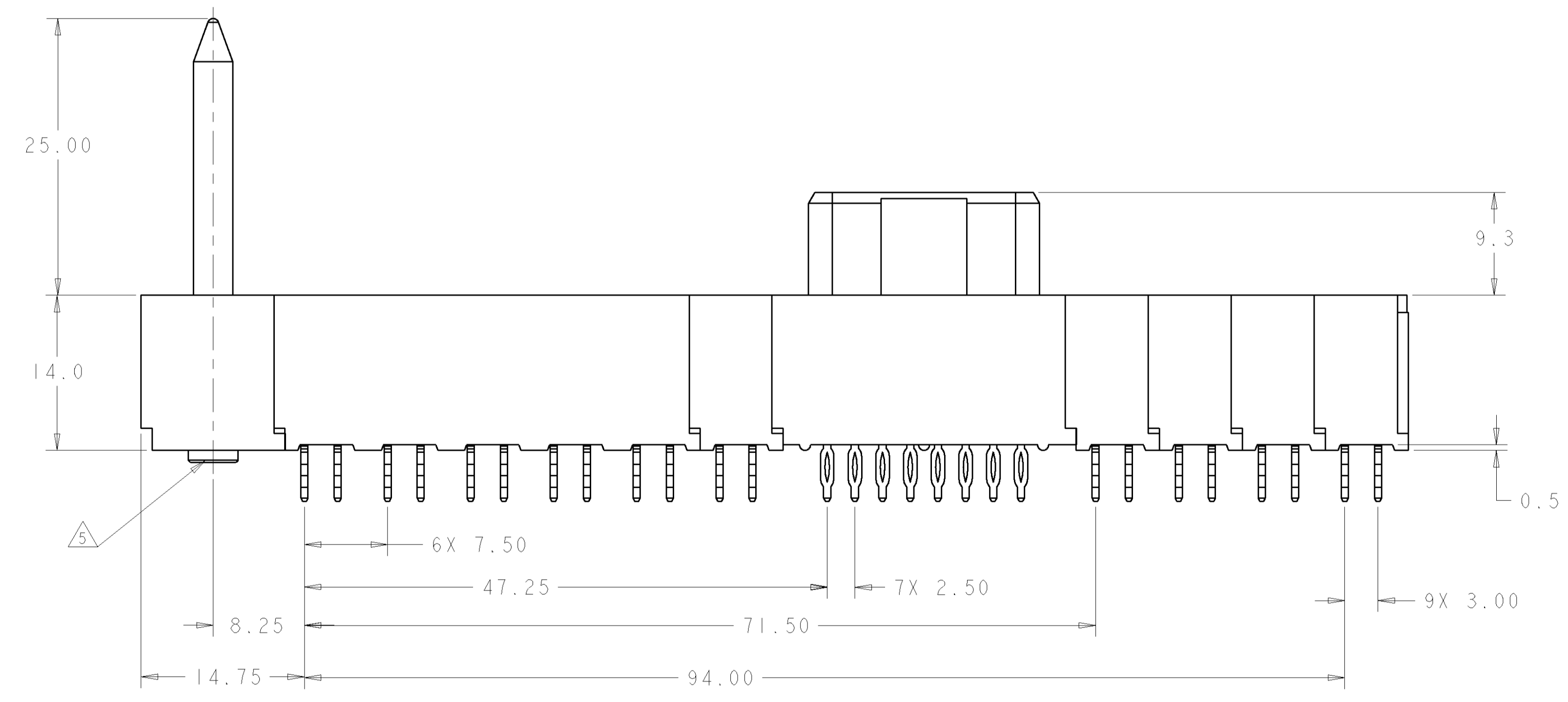
2 MATERIAL: INSULATORS - THERMOPLASTIC, GLASS REINFORCED, COLOR: BLACK UL94V-0 FLAMMABILITY RATED.  
 POWER CONTACTS - PHOSPHOR BRONZE ALLOY, COPPER ALLOY  
 COMPLIANT SIGNAL PIN - BRASS ALLOY  
 CROWN BAND-BERYLLIUM COPPER ALLOY  
 GUIDE PIN-COPPER ALLOY

3 FINISH: CONTACTS - GOLD PLATE 0.76µm MIN. THK., OVER NICKEL 1.27µm MIN. THK.  
 COMPLIANT TAILS, TIN 1.02µm MIN. THK. OVER NICKEL 1.27µm MIN. THK.  
 GUIDE PIN - SILVER PLATE 5.08µm MIN THK. OVER NICKEL 1.27µm MIN. THK.

4 ITEMS PROVIDED TO THIS SPECIFICATION TO BE PERMANENTLY IDENTIFIED PER THE FOLLOWING IDENTIFIER LABEL

TYCO ELECTRONICS P/N: XXXXXXX-X  
 DATE CODE (e.g. 0106): YEAR XX WEEK XX

5 ACTIVE GUIDE PIN ACCEPTS M3 X 0.5 SCREWS (USER SUPPLIED).

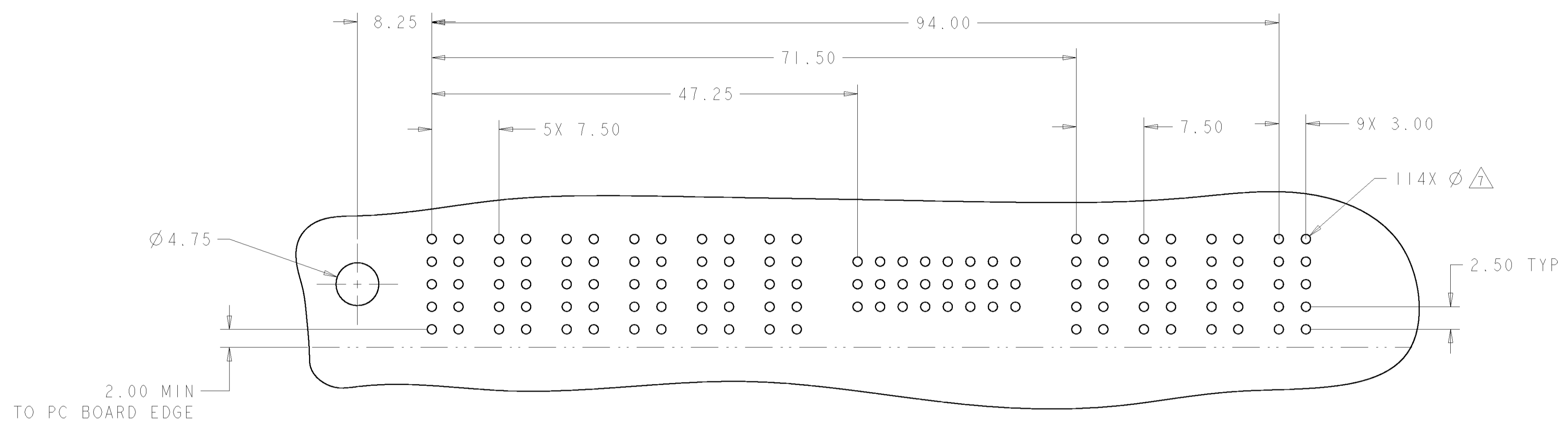


SECTION Z-Z  
 GENDER CHANGER  
 REMOVED  
 FOR CLARITY

ELCON FLATPAQ

DIMENSIONS:		TOLERANCES UNLESS OTHERWISE SPECIFIED:		DWN: R. GRZYBOWSKI 08AUG2007		AS SHOWN 6646495-1	
mm	0 PLC ±.5	1 PLC ±.5	2 PLC ±.25	ENR: P. DAMATO 08AUG2007	Tyco Electronics Harrisburg, PA 17105-3608		DESCRIPTION PART NUMBER
	3 PLC ±.5	4 PLC ±.5	ANGLES ±.3	APVD: S. FLICKINGER 08AUG2007	NAME: SOCKET CONNECTOR STRAIGHT, COMPLIANT TAIL FLATPAQ		
MATERIAL: -	FINISH: -	WEIGHT: -	CUSTOMER DRAWING	SIZE: A100779 C=6646495		RESTRICTED TO: -	
				SCALE: 3:1		SHEET 1 OF 3 REV A	

LOC	DIST	REVISIONS			
P	LTR	DESCRIPTION	DATE	DNW	APVD
GP	00	SEE SHEET 1	-	-	-

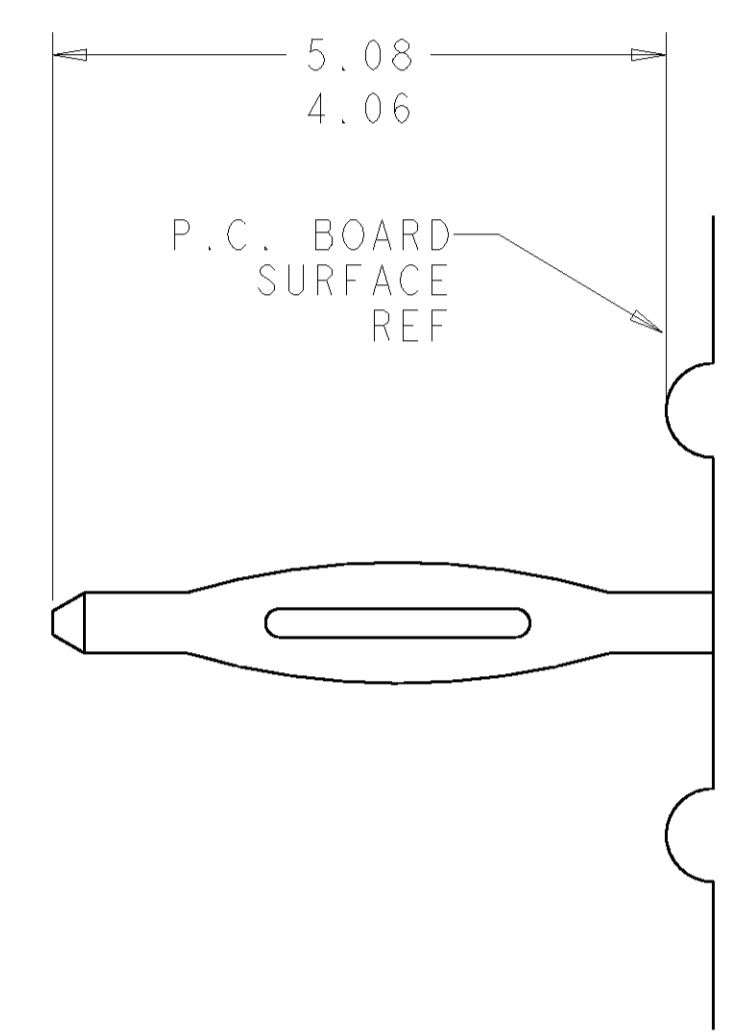


PRINTED CIRCUIT LAYOUT  
 COMPONENT SIDE

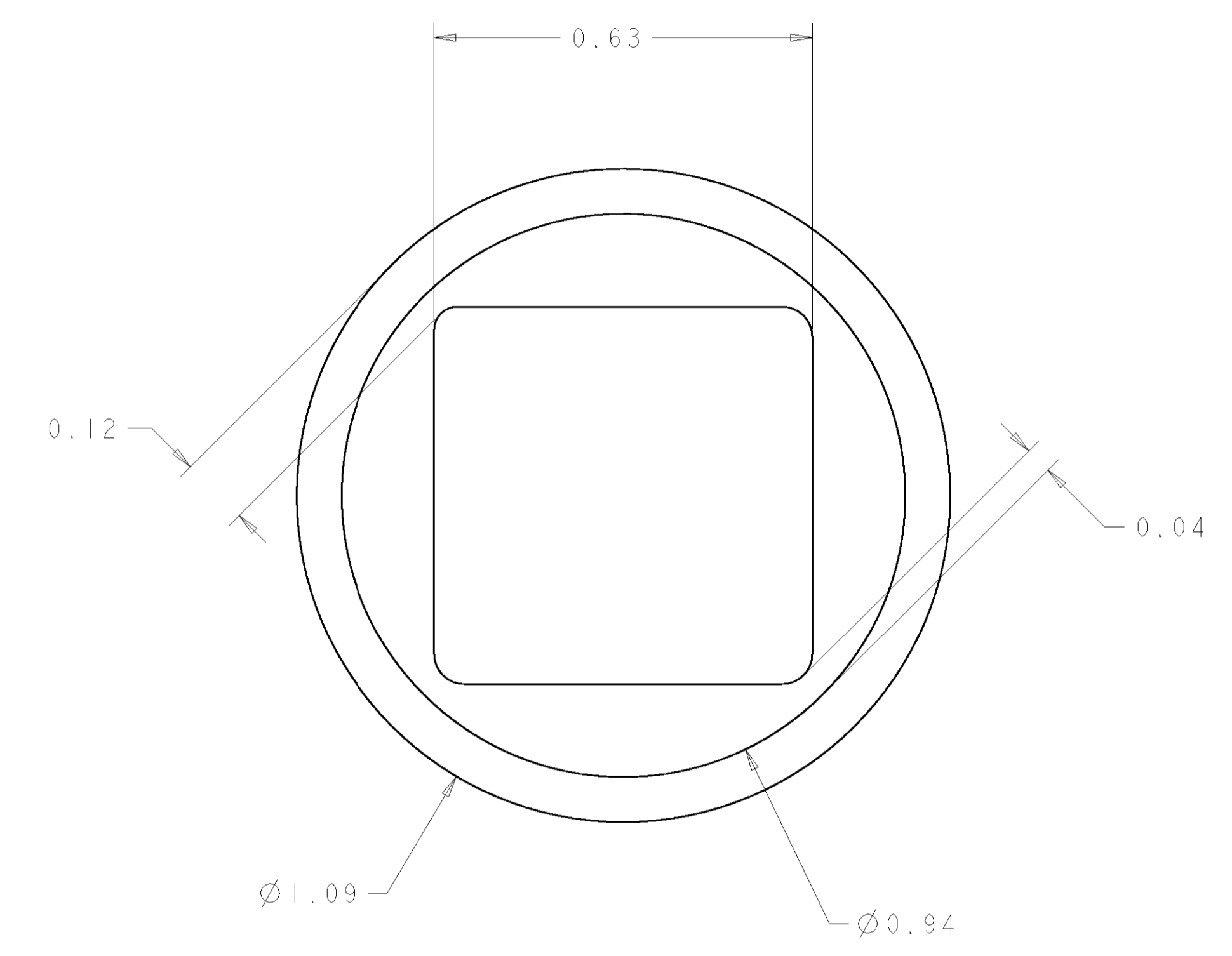
CONNECTOR	CATALOG MODULE #	QTY	SIZE NO.	CONTACT QTY	MATING PIN	MAX. CURRENT (PER CONTACT)	CONTACT SPACING	VOLTAGE RATING
SOCKET	FP200	9	8	9	1.25 X 7.00 [.049 X .276]	35 amps	7.50 [.2953]	250 VOLTS
	FP401	1	8	24	.64 [.025] SQ.	3 amps	2.50 [.0984]	125 VOLTS
	FP511	1	SPACER					
	FP515	1	GUIDE PIN, ACTIVE					

DIMENSIONS: mm 		TOLERANCES UNLESS OTHERWISE SPECIFIED: 0 PLC ±.5 1 PLC ±.5 2 PLC ±.25 3 PLC ±.5 4 PLC ±.5 ANGLES ±.3 FINISH -		DWN R. GRZYBOWSKI 08AUG2007 ENR P. DAMATO 08AUG2007 APVD S. FLICKINGER 08AUG2007 PRODUCT SPEC - APPLICATION SPEC - WEIGHT - CUSTOMER DRAWING		Tyco Electronics Harrisburg, PA 17105-3608 NAME SOCKET CONNECTOR STRAIGHT, COMPLIANT TAIL FLATPAQ SIZE CAGE CODE DRAWING NO. A100779C-6646495 RESTRICTED TO - SCALE 3:1 SHEET 2 OF 3 REV A	
-----------------------	--	------------------------------------------------------------------------------------------------------------------------------------	--	----------------------------------------------------------------------------------------------------------------------------------------------------------------	--	-----------------------------------------------------------------------------------------------------------------------------------------------------------------------------------------------------------	--

LOC	DIST	REVISIONS					
GP	00	P	LTR	DESCRIPTION	DATE	DWN	APVD
-	-	-	-	SEE SHEET 1	-	-	-



6. COMPLIANT PIN DETAIL  
 SCALE 10 : 1  
 INSERTION/EXTRACTION FORCES  
 MAXIMUM PUSH IN: 133.3N PER PIN (30 LBS)  
 MINIMUM PUSH OUT: 44.4N PER PIN (10 LBS)



△ SOLDER TERMINATION AREA  
 SCALE 40:1  
 RECOMMENDED PRINTED CIRCUIT SOLDER HOLE  
 DRILLED HOLE:  $\varnothing 1.15$  [ .0453 ]  $\pm$  .013 [ .0005 ]  
 COPPER PLATE: .025 [ .0010 ] MIN.  
 TIN PLATE: .008 [ .0003 ] MIN. (PER SURFACE)

<small>THIS DRAWING IS UNPUBLISHED. RELEASED FOR PUBLICATION. ALL RIGHTS RESERVED. © 2000 BY TYCO ELECTRONICS CORPORATION.</small>		DWN: R. GRZYBOWSKI ENR: P. DAMATO APVD: S. FLICKINGER	Tyco Electronics Harrisburg, PA 17105-3608
DIMENSIONS: mm 	TOLERANCES UNLESS OTHERWISE SPECIFIED: 0 PLC ±.5 1 PLC ±.5 2 PLC ±.25 3 PLC ±.25 4 PLC ±.25 ANGLES ±.3 FINISH -	08AUG2007 08AUG2007 08AUG2007 PRODUCT SPEC APPLICATION SPEC WEIGHT CUSTOMER DRAWING	NAME: SOCKET CONNECTOR STRAIGHT, COMPLIANT TAIL FLATPAQ SIZE: A   00779   C=6646495 SCALE: 3:1 SHEET 3 OF 3 REV A