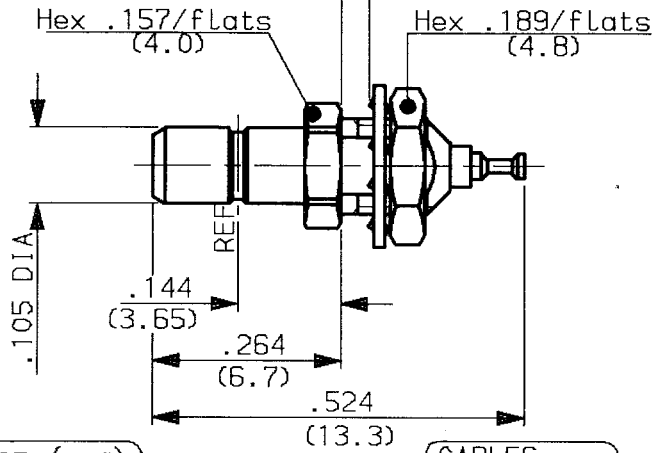


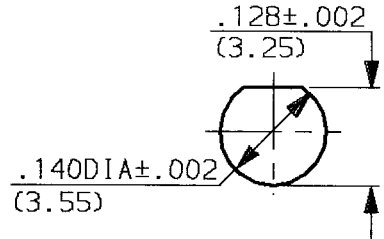
**STRAIGHT BULKHEAD RECEPTACLE
FRONT MOUNT**

Panel thick. .067max(1.7)

DEP90.R203.000



MOUNTING HOLE



weight oz (g)

CABLES : -

CHARACTERISTICS

NOMINAL IMPEDANCE	50 Ω
FREQUENCY RANGE	0-4 GHz
TEMPERATURE RATING	-65/+165 °C
VSWR	NA Max
RF INSERTION LOSS	NA \sqrt{F} dB Maxi
VOLTAGE RATING	250 Vrms Maxi
DIELECTRIC WITHSTANDING VOLTAGE	500 Vrms mini
INSULATION RESISTANCE	1000 M Ω mini
HERMETIC SEAL	NA cc/s - Atm.cm ³ /s
LEAKAGE (pressurized only)	NA psi - MPa

STANDARDISATION

MIL STD 348A
CEI 169-19
CECC 22170

CABLE RETENTION

NA Lb mini
- N

CENTER CONTACT RETENTION

Axial force - mating end 2.0 Lb mini
8.9 N
Axial force - opposite end 2.0 Lb mini
8.9 N
Torque (Min) NA Inch.oz
- cm.N

RECOMMENDED TORQUES

Mating NA Inch.Lb
- cm.N
Panel nut 2.2125 Inch.Lb
25 cm.N
Clamp nut NA Inch.Lb
- cm.N

CONSTRUCTION

CONNECTOR PARTS	MATERIALS	FINISH
BODY	BRASS	GOLD
OUTER CONTACT	BRASS	GOLD
CENTER CONTACT	BERYLLIUM COPPER	GOLD
INSULATORS	PTFE	-
-	-	-
-	-	-
-	-	-
-	-	-

ISSUE	REVISION No	DESCRIPTION	BY	DATE
.
.
.
.

Initiated on 11-DEC-90
Superseded on - - - - -

The information given here is subject to change without notice. Design changes may be in order to improve the product.

