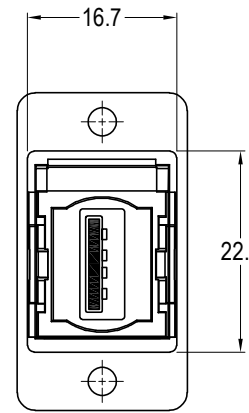
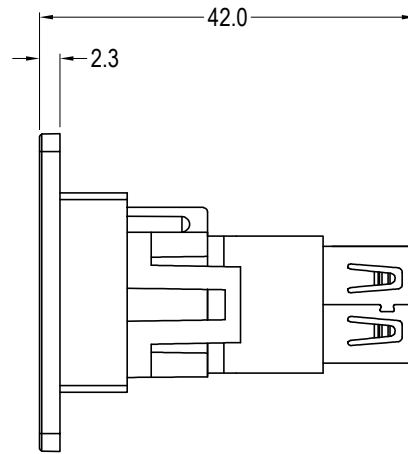
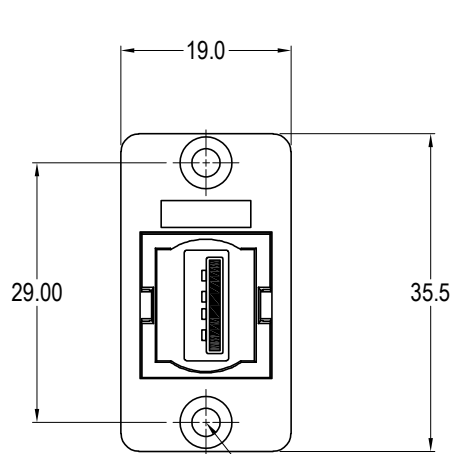
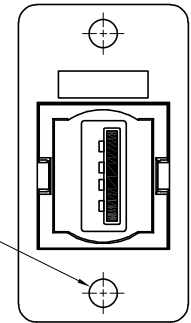
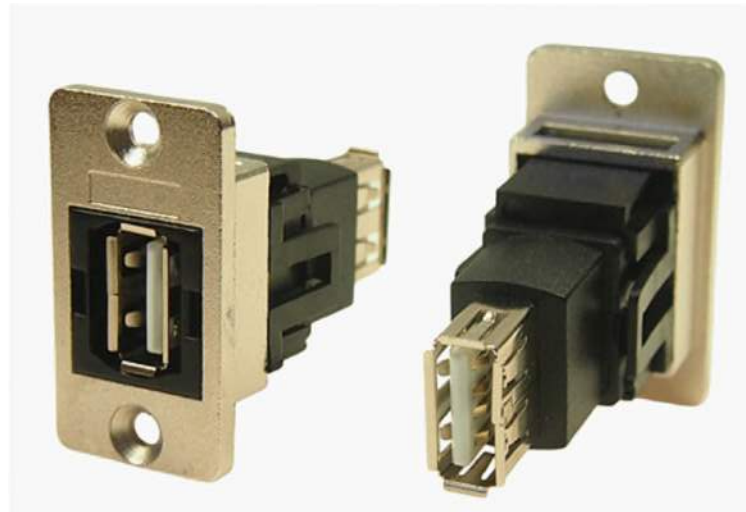
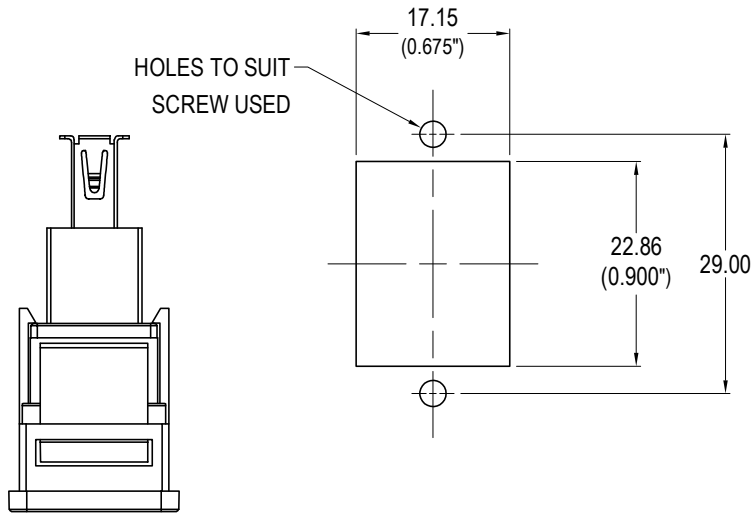


ISS.	AMEND	DATE
1	ISSUED	14/01/21



VARIANTS	
PART NO.	HOLE DETAILS
CP30608NM	HOLE Ø3.2 x CSK 90° x Ø5.85
CP30608NMX1	PLAIN HOLE Ø3.2

2x HOLE VARIANTS  
Ø3.2mm CSK 90° x Ø5.85  
PLAIN Ø3.2 HOLES

**Specification:**

1. Voltage rating: 30V AC
2. Current rating: 1.5A max
3. Contact resistance: 50mΩ max
4. Insulation resistance: 20MΩ min
5. Dielectric withstanding voltage: 500V AC
6. Operating Temperature: -20°C to 50°C

**Material:**

1. Insert: ABS UL94 HB
2. FT Frame: Zinc Diecast, Nickel Plated
3. Inner Overmouldings: PE + PVC
4. Shell: Nickel plated steel
5. Contacts: Gold Plated

**RoHS**  
COMPLIANT

**TOLERANCE**

NO DEC. PLACE ±  
1 DEC. PLACE ±  
2 DEC. PLACE ±  
HOLE Ø ±  
ANGLES ±  
UNLESS OTHERWISE STATED

**Cliff Electronic Components Ltd.**  
76 Holmethorpe Avenue, Holmethorpe Industrial Estate,  
Redhill, Surrey, RH1 2PF, England, UK  
Tel: 01737-771375 Fax: 01737-766012 Website: www.cliffuk.co.uk

DIMENSIONS IN MILLIMETERS UNLESS OTHERWISE STATED. WORK TO DIMENSIONS. REMOVE ALL BURRS. IF IN DOUBT ASK.

3rd ANGLE PROJECTION:

DO NOT SCALE

MATERIAL: See Notes

FINISH: See Notes

DRAWN: T.J.O.

APPROVED: D.P.J.

TITLE: FRONT MOUNT METAL SLIM FT USB2 A-A

DRWG. No. CP30608NM

FORM: A4DRWGH