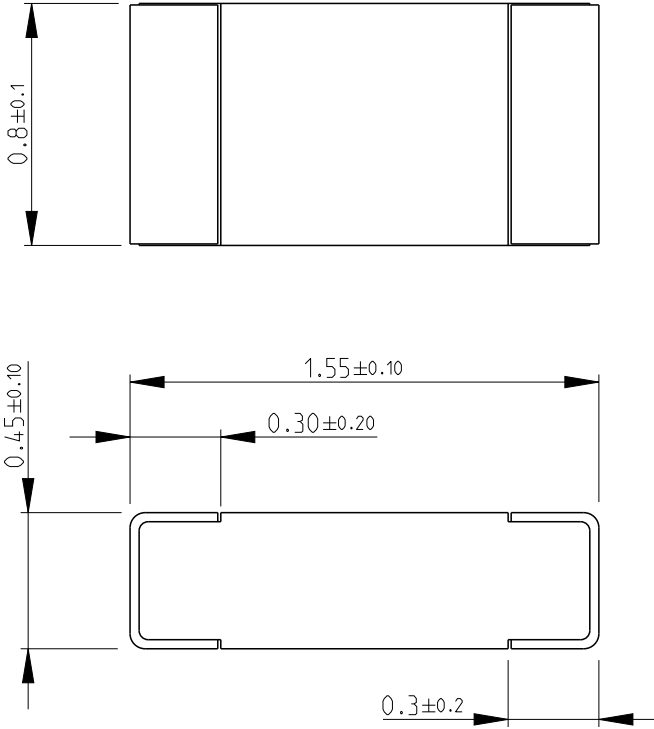
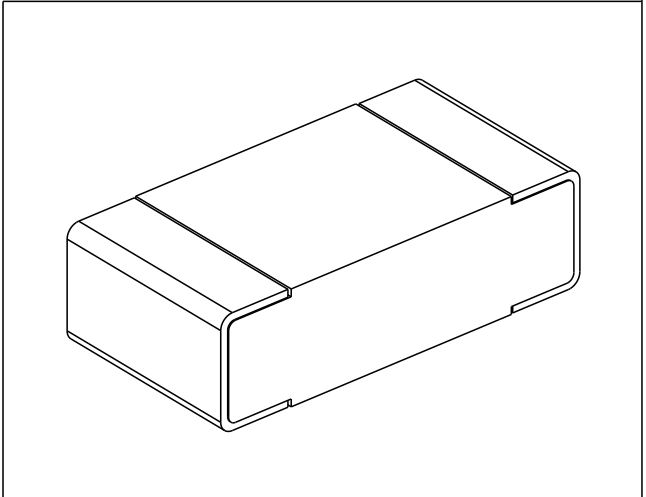


LOC	DIST	REVISIONS					
E	B	P	LTR	DESCRIPTION	DATE	DWN	APVD
			BA3	ECR-14-009193	29MAR2011	KR	TN

FOR FURTHER INFORMATION SEE DATA SHEET FOR
CPF SERIES-THIN FILM PRECISION CHIP RESISTORS



RoHS Compliant



2008


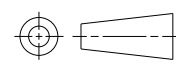
RELEASED FOR PUBLICATION

ALL RIGHTS RESERVED.

BY -

© COPYRIGHT 2008

THIS DRAWING IS UNPUBLISHED.

DIMENSIONS: mm	DWN	SUBHASH.M	02-DEC-08	MATERIAL	-	FINISH	-
	CHK	PRAKASH.S	02-DEC-08	 TE Connectivity			
TOLERANCES UNLESS OTHERWISE SPECIFIED:	APVD	STEPHEN.P	02-DEC-08				
	0 PLC	± 0.2	PRODUCT SPEC	-	SIZE	CAGE CODE	DRAWING NO
1 PLC	± 0.1	APPLICATION SPEC	-	A 4	00779	© = 1614881	-
2 PLC	± -	WEIGHT	-	Customer Drawing			
3 PLC	± -			SCALE	40:1	SHEET	1 OF 1
4 PLC	± -						
ANGLES	± 5°						
				REV BA3			