

Customer Information Sheet

DRAWING No.: M80-615XXXX

SHEET 2 OF 2

IF IN DOUBT - ASK

©

NOT TO SCALE

THIRD ANGLE PROJECTION

ALL DIMENSIONS IN mm

SPECIFICATION

MATERIALS:

MOULDING = HIGH-TEMP. POLYAMIDE 46 UL94V-0
CLIP = BERYLLIUM COPPER
BODY = BRASS

FINISH:

01 = 3.5µ 90/10 TIN LEAD BODY, 0.3µ GOLD CLIP
42 = 3.5/5.0µ 100% TIN BODY, 0.3µ GOLD CLIP
45 = 0.25/0.3µ GOLD BODY, 0.3µ GOLD CLIP

ELECTRICAL:

CURRENT RATING AT 25°C = 3.0A MAX
CURRENT RATING AT 85°C = 2.2A MAX
WORKING VOLTAGE = 120V AC/DC
VOLTAGE PROOF = 360V AC/DC

CONTACT RESISTANCE:

INITIAL = 20mΩ MAX
AFTER CONDITIONING = 25mΩ MAX
INSULATION RESISTANCE:
INITIAL = 1000MΩ MIN
AFTER CONDITIONING = 100MΩ MIN

MECHANICAL:

DURABILITY = 500 OPERATIONS
INSERTION FORCE = 2.8N MAX, 1.0N MIN
WITHDRAWAL FORCE = 1.8N MAX, 0.2N MIN

ENVIRONMENTAL:

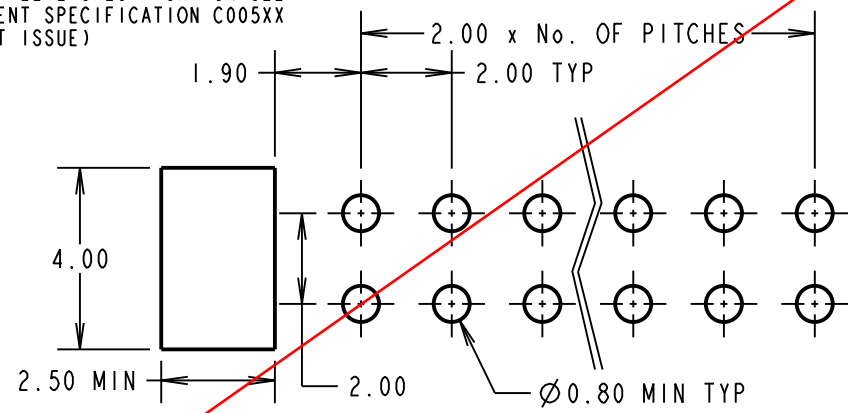
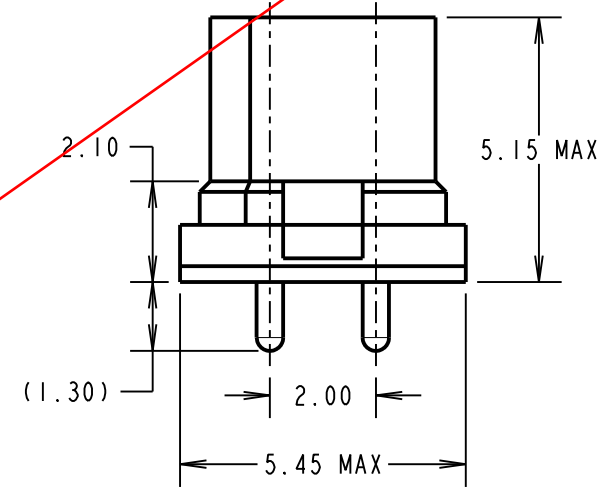
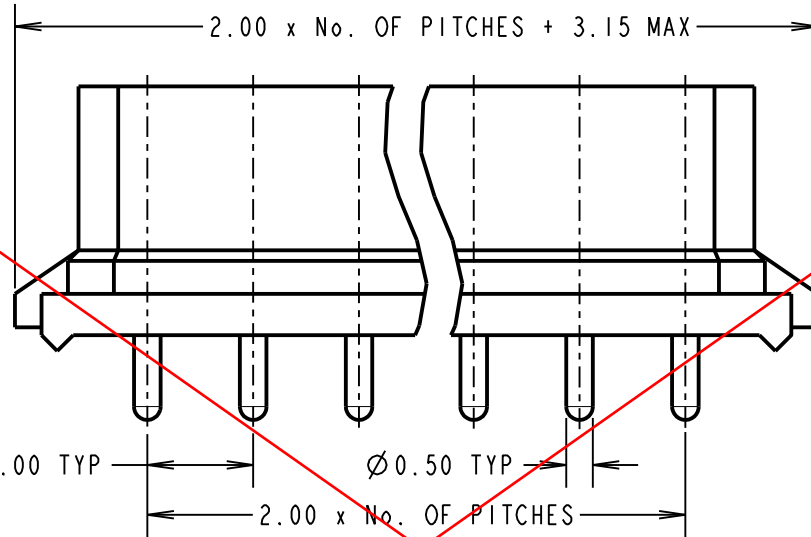
TEMPERATURE RANGE = -55°C TO +125°C

PACKING:

TUBE

FOR COMPLETE SPECIFICATION SEE
COMPONENT SPECIFICATION C005XX
(LATEST ISSUE)

OBSOLETE



(OPTIONAL) HOLES REQUIRED FOR
USE WITH LATCHED MALE CONNECTORS

ORDER CODE:

M80-615XXXX

No. OF CONTACTS _____
04-20 (EVEN No. s)
26, 34 & 44

FINISH _____
01 = GOLD CLIP, TIN/LEAD SHELL
42 = 100% TIN SHELL, GOLD CLIP
45 = GOLD SHELL, GOLD CLIP

SB	6	28.06.11	11350
NAME	ISS.	DATE	C/NOTE
APPROVED: S.BENNETT			
CHECKED: S.FLOWER			
DRAWN: I. SANDY			
CUSTOMER REF.:			
ASSEMBLY DRG:			

HARWIN

HARWIN USA
TEL: 603 893 5376
FAX: 603 893 5396
mis@harwin.com

HARWIN Europe (UK)
TEL: 023 9231 4545
FAX: 023 9231 4590
mis@harwin.co.uk

HARWIN Asia
TEL: +65 6 779 4909
FAX: +65 6 779 3868
mis@harwin.com.sg

THIS DRAWING AND ANY
INFORMATION OR DESCRIPTIVE
MATTER SET OUT HEREON ARE
CONFIDENTIAL AND COPYRIGHT
PROPERTY OF THE HARWIN
GROUP AND MUST NOT BE
DISCLOSED, LOANED, COPIED
OR USED FOR MANUFACTURING,
TENDERING OR FOR ANY
OTHER PURPOSE WITHOUT
THEIR WRITTEN PERMISSION.

TOLERANCES
X. = ±1mm
X.X = ±0.25mm
X.XX = ±0.10mm
X.XXX = ±0.01mm
ANGLES = ±5°
UNLESS STATED

MATERIAL: SEE ABOVE
FINISH: SEE TABLE
S/AREA: mm²

TITLE: DATAMATE DIL
FEMALE PC TAIL ASSEMBLY
DRAWING NUMBER: **M80-615XXXX**
SHT 2 OF 2