

6

5

4

3

2

1

E

E

D

D

C

C

B

B

A

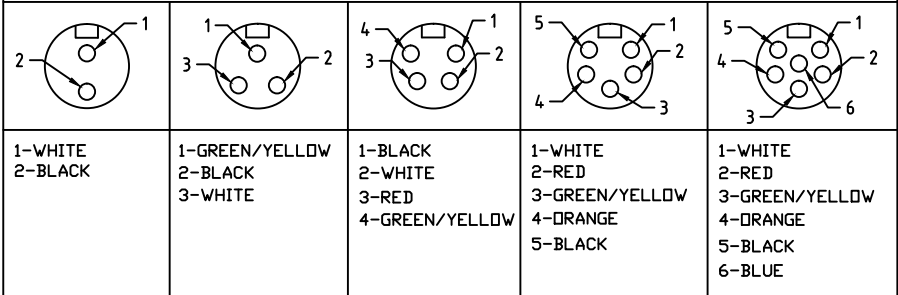
A

FACE VIEW-FEMALE INSERT

- NOTES:  
 1. MATERIAL: SEE TABLE  
 2. FINISH: SEE TABLE  
 3. ELECTRICAL:  
 VOLTAGE: 2P THRU 6P 600V PER UL 2238  
 3P 500V PER IEC60664  
 4P 483V PER IEC60664  
 5 & 6P 400V PER IEC60664  
 (A1)  
 CURRENT: 2P & 3P: 13A  
 4P: 10A  
 5P & 6P: 8A  
 4. TEMP RATING: -20°TO +105°C  
 5. PROTECTION: IP67 (WHEN MATED)  
 (A1) 6. UL RECOGNIZED, FILE E152210  
 7. ALL DIMS ARE FOR REFERENCE UNLESS NOTED OTHERWISE

(A1) CABLE LENGTH TOLERANCES

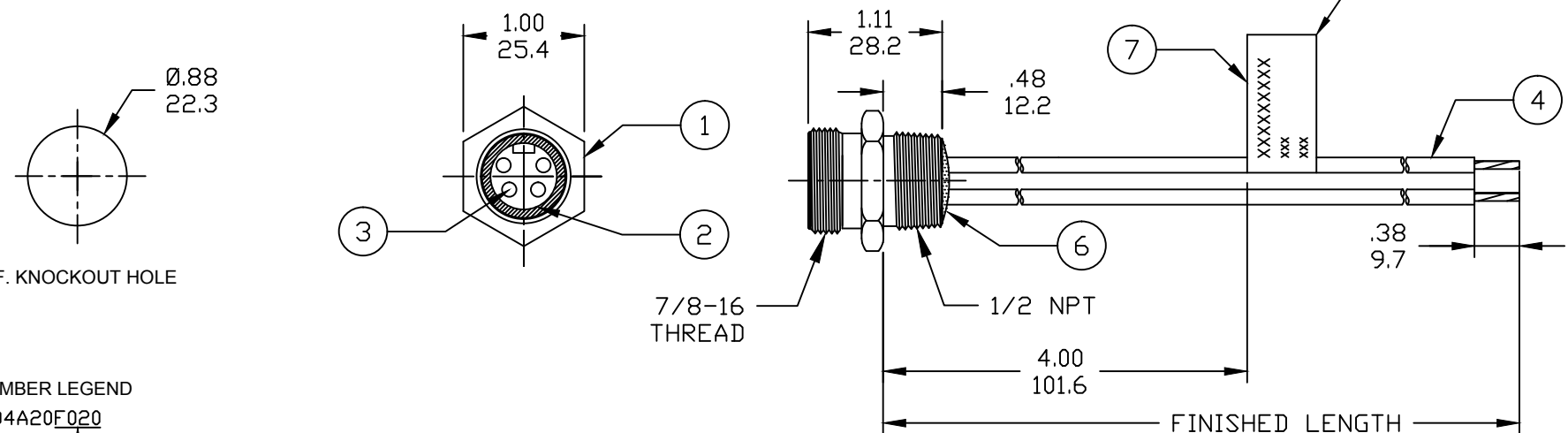
>.3M [1FT]:	+19mm-0 [ +.75in-0]
.3 - .9M [1 - 3FT]:	+44.5mm-0 [+1.75in-0]
.9 - 1.8M [3 - 6FT]:	+55.6mm-0 [+2.19in-0]
1.8 - 3.7M [6 - 12FT]:	+88.9mm-0 [+3.50in-0]
3.7 - 7.3M [12 - 24FT]:	+165.1mm-0 [+6.50in-0]
7.3-14.6M [24 - 48FT]:	+317.5mm-0 [+12.50in-0]
14.6 - 30.5M [48-100FT]:	+622.3mm-0 [+24.50in-0]
OVER 30M [100FT]	+2% OF FINISHED LENGTH



1-WHITE 2-BLACK	1-GREEN/YELLOW 2-BLACK 3-WHITE	1-BLACK 2-WHITE 3-RED 4-GREEN/YELLOW	1-WHITE 2-RED 3-GREEN/YELLOW 4-ORANGE 5-BLACK	1-WHITE 2-RED 3-GREEN/YELLOW 4-ORANGE 5-BLACK 6-BLUE
--------------------	--------------------------------------	---	---	---

CHART (A1)

PART NO.	ENGINEERING NO.	FINISHED LENGTH
1300130582	1R6004A20F120	12IN
1300131164	1R5004A20M010	1.0M
1300130328	1R4004A20F080	8.0FT



PART NUMBER LEGEND

1R3004A20F020

POLES 2-6      FINISHED LENGTH:  
 A120= 12 IN.  
 F020= 2 FEET  
 F100= 10 FEET

M005= 0.5 METER  
 M010= 1 METER  
 M100= 10 METER

TABLE

ITEM	DESCRIPTION	MATERIAL	FINISH
6	FLAG LABEL	VINYL	BLACK/YELLOW
5	POTTING MATERIAL	EPDXY	
4	WIRE, 16 AWG UL (1015)	PVC INSULATION	SEE CHART
3	CONTACT SOCKET	COPPER ALLOY	GOLD PLATED
2	FEMALE INSERT	PVC	YELLOW
1	RECEPTACLE SHELL	ZINC DIE-CAST	BLACK

REVID: EC/VOLTS, ADD: UL FILE, CHART & TOOLS	QUALITY SYMBOLS
EC NO: IFC2017-1018	▽=0
DRWN: RSTONE 5/1/17	▽C=0
CHKD: M ZIELIN 2017/05/08	
APPR: BWOODMAN	
REV	
A1	

GENERAL TOLERANCES (UNLESS SPECIFIED)	DIMENSION STYLE		SCALE	DESIGN UNITS	THIRD ANGLE PROJECTION
	mm	INCH	---	INCH	
4 PLACES	±---	±---	DRAWN BY	DATE	TITLE <b>MINI-CHANGE RECEPTACLE 2-6P FEMALE #16-1 PVC WIRES</b>
3 PLACES	±---	±---	RSTONE	2016/12/05	
2 PLACES	±---	±---	CHECKED BY	DATE	
1 PLACE	±---	±---	M ZIELIN	2016/12/12	
ANGULAR ±1/2°			APPROVED BY	DATE	MOLEX <b>MOLEX INCORPORATED</b>
DRAFT WHERE APPLICABLE MUST REMAIN WITHIN DIMENSIONS			---	---	
SIZE <b>A</b>			MATERIAL NO.	DOCUMENT NO.	
			--	SD-130013-121	SHEET NO. 1 OF 1
THIS DRAWING CONTAINS INFORMATION THAT IS PROPRIETARY TO MOLEX INCORPORATED AND SHOULD NOT BE USED WITHOUT WRITTEN PERMISSION					

6

5

4

3

2

1

6

5

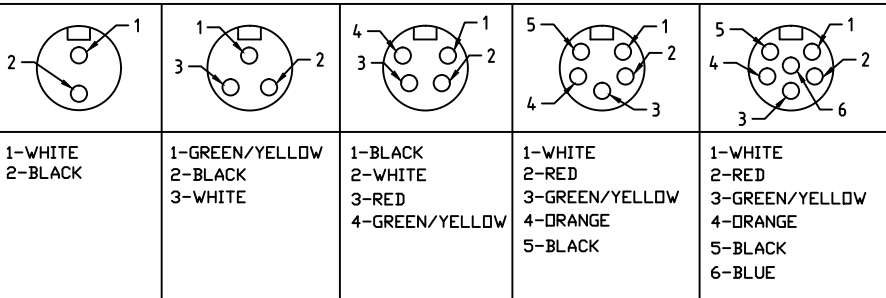
4

3

2

1

## FACE VIEW-FEMALE INSERT



## NOTES:

- MATERIAL: SEE TABLE
- FINISH: SEE TABLE
- ELECTRICAL:  
VOLTAGE: 2P THRU 6P 600V PER UL 2238  
3P 500V PER IEC60664  
4P 483V PER IEC60664  
5 & 6P 400V PER IEC60664

- CURRENT: 2P & 3P: 13A  
4P: 10A  
5P & 6P: 8A

- TEMP RATING: -20°TO +105°C
- PROTECTION: IP67 (WHEN MATED)
- UL RECOGNIZED, FILE E152210
- ALL DIMS ARE FOR REFERENCE UNLESS NOTED OTHERWISE

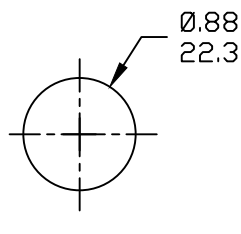
(A1)

## CABLE LENGTH TOLERANCES

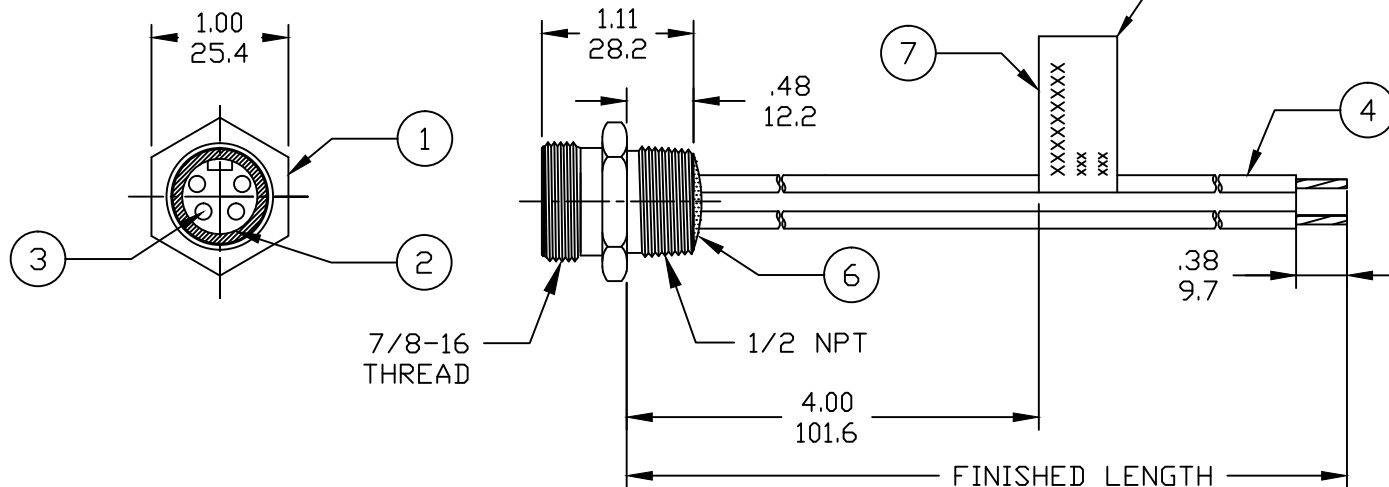
- >.3M [1FT]: +19mm-0 [+ .75in-0]  
.3 - .9M [1 - 3FT]: +44.5mm-0 [+1.75in-0]  
.9 - 1.8M [3 - 6FT]: +55.6mm-0 [+2.19in-0]  
1.8 - 3.7M [6 - 12FT]: +88.9mm-0 [+3.50in-0]  
3.7 - 7.3M [12 - 24FT]: +165.1mm-0 [+6.50in-0]  
7.3-14.6M [24 - 48FT]: +317.5mm-0 [+12.50in-0]  
14.6 - 30.5M [48-100FT]: +622.3mm-0 [+24.50in-0]  
OVER 30M [100FT] +2% OF FINISHED LENGTH

## CHART (A1)

PART NO.	ENGINEERING NO.	FINISHED LENGTH
1300130582	1R6004A20F120	12IN
1300131164	1R5004A20M010	1.0M
1300130328	1R4004A20F080	8.0FT



REF. KNOCKOUT HOLE



## PART NUMBER LEGEND

1R3004A20F020

POLES: 2-6  
FINISHED LENGTH:  
A120= 12 IN.  
F020= 2 FEET  
F100= 10 FEET

M005= 0.5 METER  
M010= 1 METER  
M100= 10 METER

## TABLE

ITEM	DESCRIPTION	MATERIAL	FINISH
6	FLAG LABEL	VINYL	BLACK/YELLOW
5	POTTING MATERIAL	EPDXY	
4	WIRE, 16 AWG UL (1015)	PVC INSULATION	SEE CHART
3	CONTACT SOCKET	COPPER ALLOY	GOLD PLATED
2	FEMALE INSERT	PVC	YELLOW
1	RECEPTACLE SHELL	ZINC DIE-CAST	BLACK

REVID: EC/VOLTS, ADD: UL FILE, CHART & TOOLS	5/1/17
EC NO: IPG2017-1018	DRWN: RSTONE
CHKD: M ZIELIN	2017/05/08
APPR: BWOODMAN	
A1	REV

QUALITY SYMBOLS
▽=0
▽C=0

## GENERAL TOLERANCES (UNLESS SPECIFIED)

	mm	INCH
4 PLACES	±---	±---
3 PLACES	±---	±---
2 PLACES	±---	±---
1 PLACE	±---	±---

ANGULAR ±1/2°

DRAFT WHERE APPLICABLE  
MUST REMAIN  
WITHIN DIMENSIONS

## DIMENSION STYLE

INCH/MM

DRAWN BY	DATE
RSTONE	2016/12/05
CHECKED BY	DATE
M ZIELIN	2016/12/12
APPROVED BY	DATE
---	---

MATERIAL NO. --

SIZE A

THIS DRAWING CONTAINS INFORMATION THAT IS PROPRIETARY TO MOLEX INCORPORATED AND SHOULD NOT BE USED WITHOUT WRITTEN PERMISSION

SCALE ---

DESIGN UNITS INCH

THIRD ANGLE PROJECTION

TITLE  
MINI-CHANGE RECEPTACLE  
2-6P FEMALE  
#16-1 PVC WIRES

MOLEX  
MOLEX INCORPORATED

DOCUMENT NO. SD-130013-121

SHEET NO. 1 OF 1

6

5

4

3

2

1