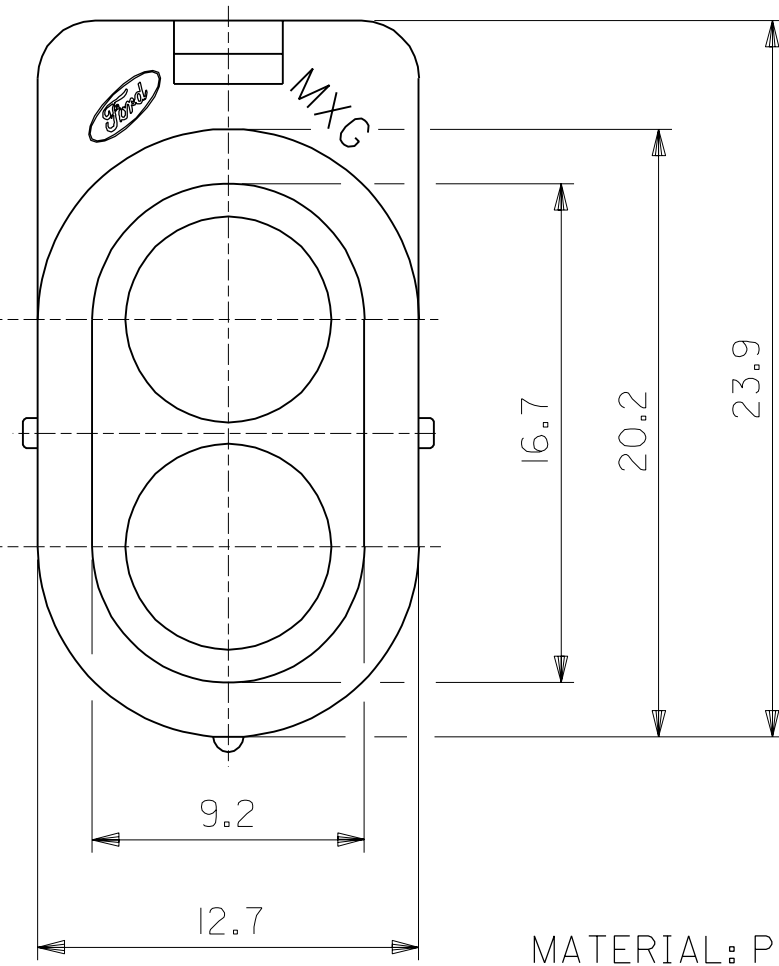
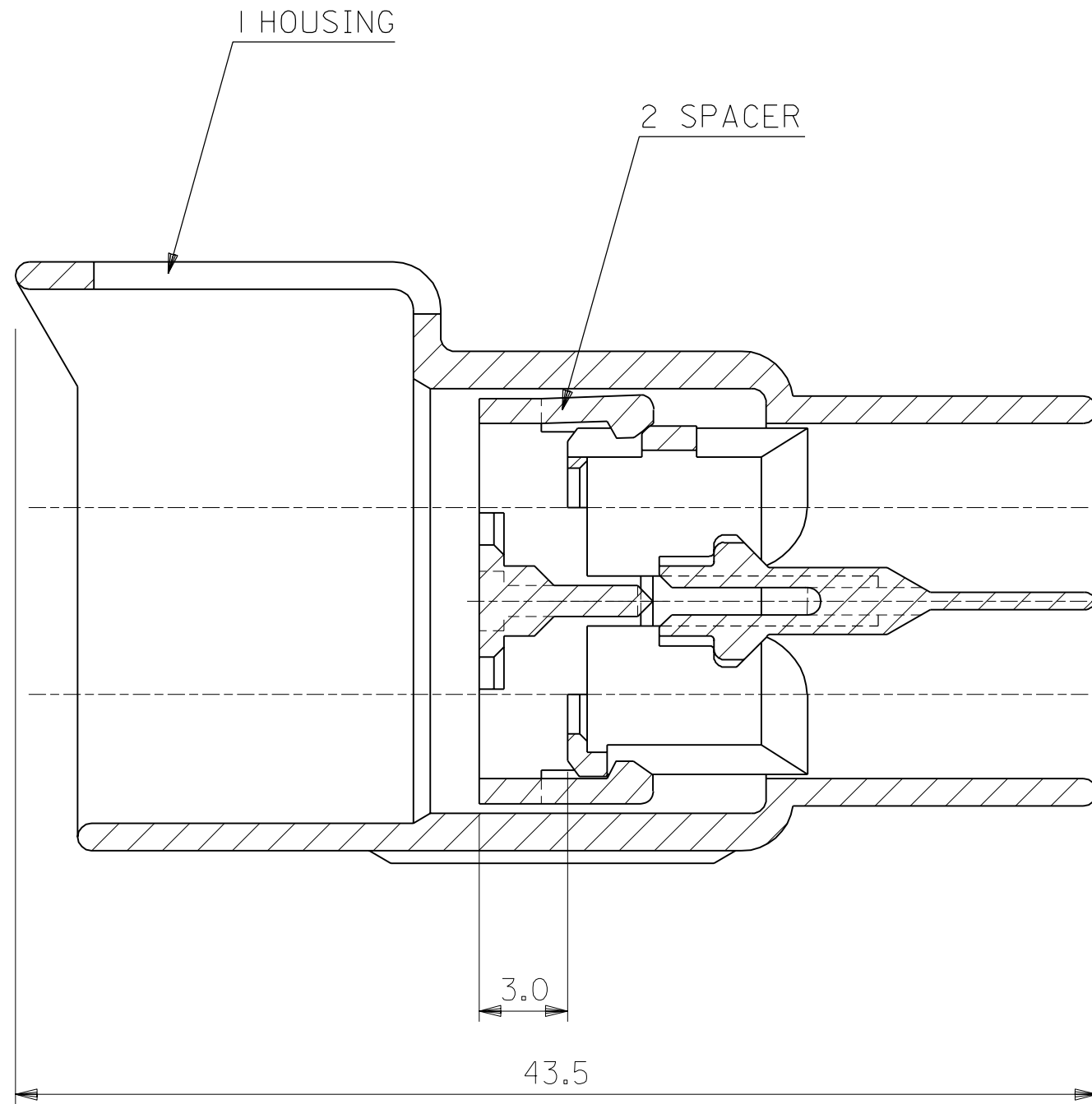


MOLEX NO.	COLOR	FARBE	RAL
98018-0001	BLACK	SCHWARZ	9005
98018-0002	BROWN	BRAUN	8017
98018-0003	BLUE	BLAU	5015
98018-0004	GREEN	GRUEN	6001
98018-0005	YELLOW	GELB	1018
98018-0006	GREY	GRAU	7035
98018-0007	ORANGE	ORANGE	1007
98018-0008	NATURAL	NATUR	-



MATERIAL: PBTP 30% GV

FOR PREVIOUS  
DRAWING ISSUES  
SEE "EDIS"

ECN MXG 1028  
01.03.93  
H. DIETZ  
D LTR REVISIONS

DIMENSIONS SHOWN ( METRIC ) INCH	
UNLESS OTHERWISE SPECIFIED TOLERANCES: ANGULAR ±	
	INCH (METRIC)
3 PLACE	±
2 PLACE	±
1 PLACE	± 0.2

DRAFT WHERE APPLICABLE MUST REMAIN WITHIN DIMENSIONS

DESIGN DIMENSION  (MM) (PRIMARY)  IN.

EQUIVALENT DIMENSION  (MM) (SECONDARY)  IN.

THIRD ANGLE PROJECTION		REVISE ONLY ON CAD SYSTEM		SH.	REV.
DRWG BY DT	CADCAM FILENAME SDA98018 DCN	THIS DRAWING CONTAINS INFORMATION THAT IS PROPRIETARY TO MOLEX INC. & SHOULD NOT BE USED WITHOUT WRITTEN PERMISSION			
CHK'D BY ARE	TITLE 2-WAY HOUSING FOR MALE TERMINAL				
APP'D BY APO	SHEET NO. 1 / 1		DATE 87 / 02 / 19		
SCALE	PART NO. SEE TABLE		DWG NO. SDA-98018		SIZE B