

NOTES:

1. THIS PROTECTIVE COVER IS DESIGNED TO PROTECT THE INTERFACE OF MTC100 RECEPTACLE CONNECTORS AGAINST DUST AND MOISTURE ENVIROMENTS. PARTS MEET AIR LEAKAGE TEST PER C-6111 OR C-6115 (THE LEAKAGE RATE IS 0.5 ATM CM3/Second Maximum). THE PARTS ALSO OFFER ELECTROMAGNETIC EMISSION PROTECTION.

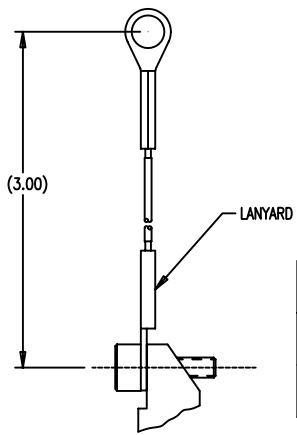
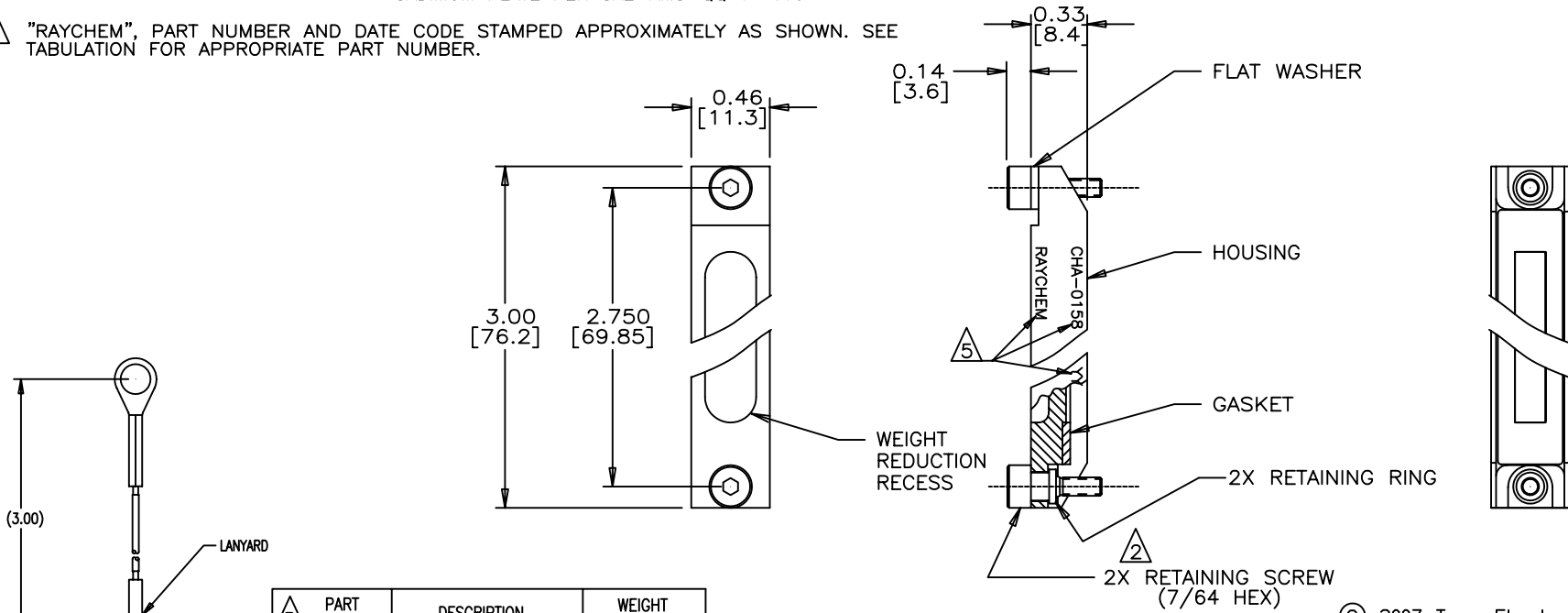
2. **MATING TORQUE**
FOR PROPER MATING CONDITION, SCREWS MUST BE EQUALLY TIGHTENED AND LOOSENED BY ONE HALF TURN A TIME TO PREVENT ANY DAMAGES TO THE MATING GASKET. RETENTION SCREWS ARE TO BE TORQUED TO 7±0.5 in-lbs.

3. MATERIAL:
- a. HOUSING ALUMINUM ALLOY PER ASTM B26 OR ASTM B211
 - b. RETENTION SCREW STAINLESS STEEL PER SAE-AMS-QQ-S-763
 - c. GASKET CONDUCTIVE FLUOROSILICONE ELASTOMER PER MIL-DTL-83528
 - d. FLAT WASHER STAINLESS STEEL PER ASTM A 240/A 240M
 - e. LANYARD STAINLESS STEEL PER ASTM A 240/A 240M
 - f. RETAINING RING BERYLLIUM COPPER PER ASTM B194
4. FINISH:
- a. HOUSING CADMIUM PLATE PER SAE-AMS-QQ-P-416 OVER NICKEL UNDERPLATE
 - b. RETENTION SCREW CADMIUM PLATE PER SAE-AMS-QQ-P-416
 - c. FLAT WASHER CADMIUM PLATE PER SAE-AMS-QQ-P-416
 - d. LANYARD CADMIUM PLATE PER SAE-AMS-QQ-P-416
 - e. RETAINING RING CADMIUM PLATE PER SAE-AMS-QQ-P-416

5. "RAYCHEM", PART NUMBER AND DATE CODE STAMPED APPROXIMATELY AS SHOWN. SEE TABULATION FOR APPROPRIATE PART NUMBER.

REVISIONS			
LTR	DESCRIPTION	DATE	APPROVED
B	REVISED PER ECN T-18229	JUNE-1-93	J.B.
C	REDRAWN AND REVISED PER DCR# T-29645	7/13/2001	M.HIGGY
D	REVISE PER DCR# T-30033	9/18/2001	M.HIGGY
E	REVISE PER DCR# T-30829	4/19/2002	M.HIGGY
F	REVISE PER DCR# T-31595	JAN/23/03	M.HIGGY
G	PER ECO-07-020128	August/27/07	M.HIGGY

If this document is printed it becomes uncontrolled. Check for the latest revision



DETAIL A
FOR CHA-0158-009 PART ONLY

5 PART NUMBER	DESCRIPTION	WEIGHT (MAXIMUM)
CHA-0158	WITHOUT LANYARD	.043 LBS. [19.60 gr.]
CHA-0158-009	WITH LANYARD PER DETAIL A	.046 LBS. [20.90 gr.]

CUSTOMER DRAWING

UNLESS OTHERWISE SPECIFIED DIMENSIONS ARE IN INCHES. METRIC DIMENSIONS ARE IN BRACKETS.	DRAWN	ZS.ORBAN	7/12/2001
	CHECKED		
	APPROVED		
	APPROVED	M.HIGGY	7/12/2001
DECIMALS	.XXX ±.010	.25 mm	}
	.XX ±.02		
ANGLES	.X ±		
WEIGHT	SEE TAB.lbs	{	g}
		THIRD ANGLE PROJECTION	

© 2007 Tyco Electronics Corporation. All rights reserved.

		Raychem Interconnect 300 Constitution Drive Merida Park, CA 94025 U.S.A.	
TITLE COVER, PROTECTIVE, PLUG TYPE, 2 INCH, EME COMPATIBLE MTC100 SERIES			
SIZE	CODE IDENT. NO.	DWG. NO.	REV
A	06090	CHA-0158-XXX	G
DO NOT SCALE THIS DRAWING			SHEET 1 OF 1

DWG NO. CHA-0158-XXX T