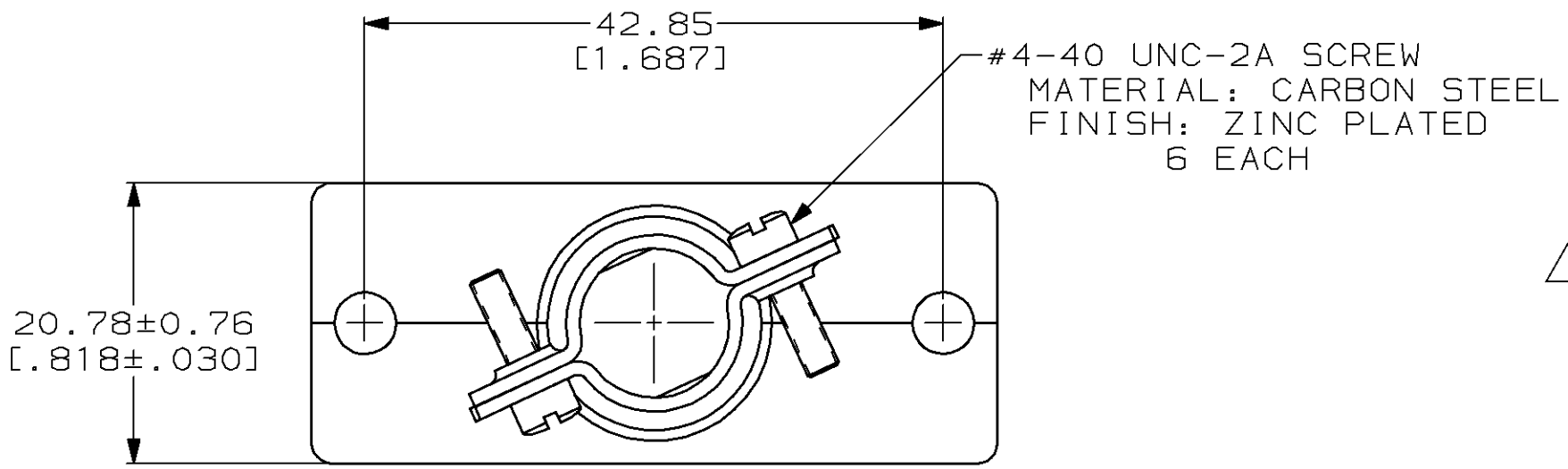
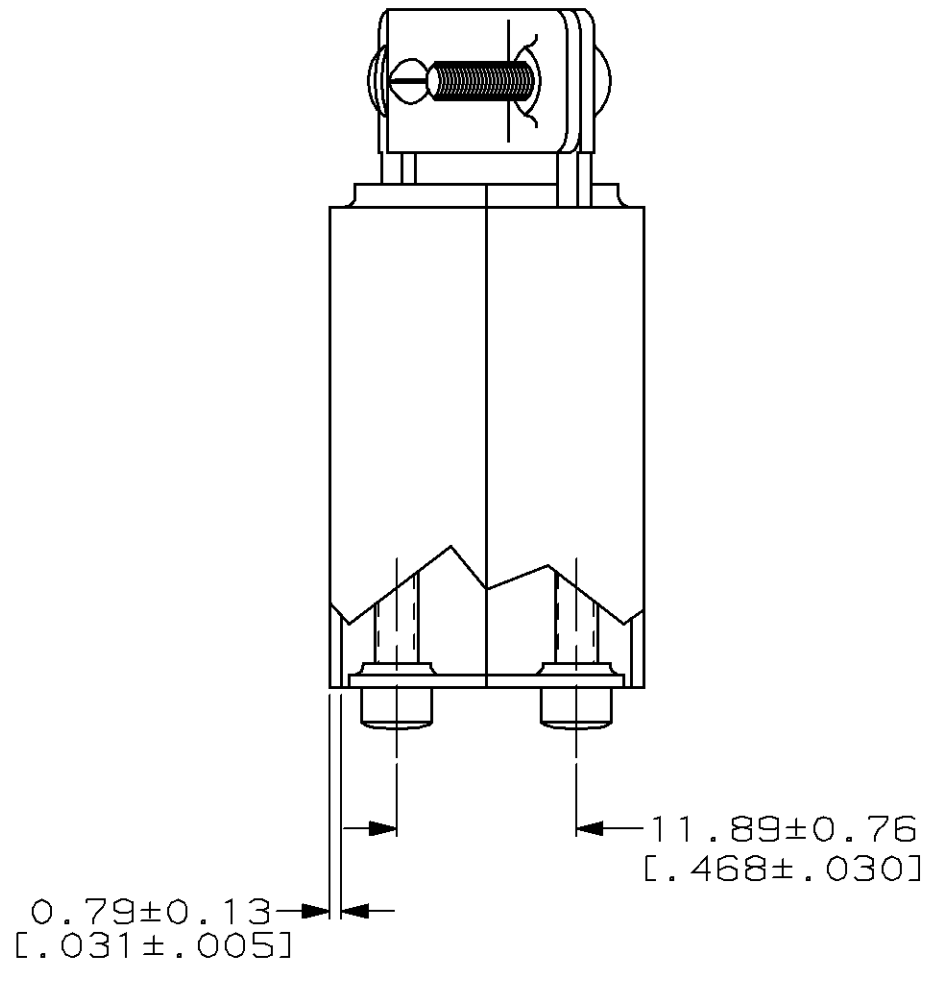
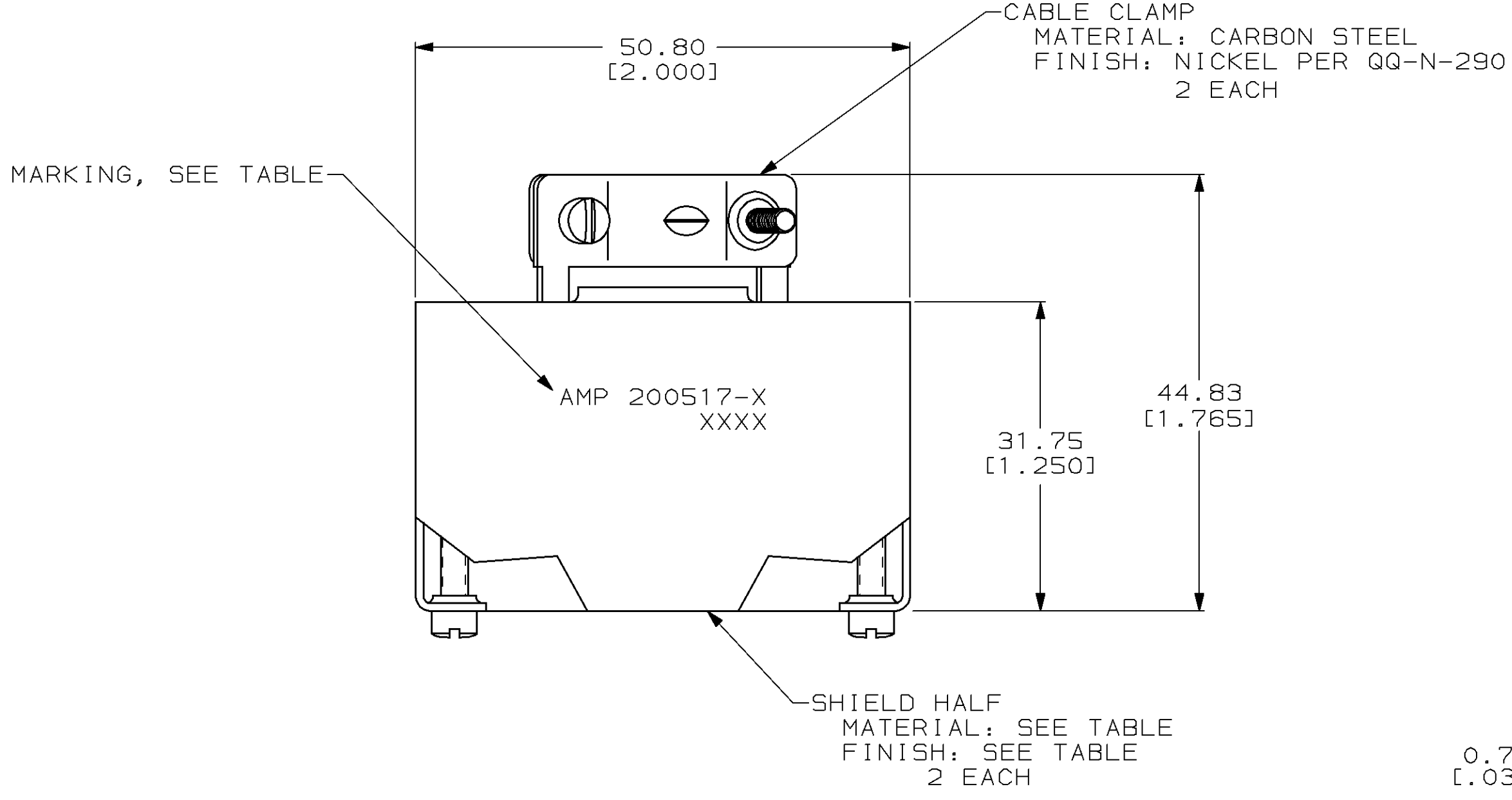


THIS DRAWING IS UNPUBLISHED. RELEASED FOR PUBLICATION
 © COPYRIGHT 19 BY AMP INCORPORATED. ALL INTERNATIONAL RIGHTS RESERVED.

LOC	DIST	P	F	ZONE	LTR	DESCRIPTION	DATE	APPD
FT	8				Y	REDRAWN W/O CHANGE PER EC 0020-1084-94	01/23/95	TC
					Z	ADDED -7 PER EC 0020-1155-95	10 OCT 95	GS
					AA	REV PER EC 0020-84-96		GS
					AB	REV PER EC 0320-160-96	08 JAN 97	GS
					AC	ADDED -8 PER EC 061C-22-98	10 MAR 98	MM



△ AMP, PART NUMBER AND DATE CODE, INK STAMPED ON (1) OR BOTH SIDES.



7.62-11.43 [.300-.450]	△	NICKEL PER QQ-N-290	CARBON STEEL	200517-8
11.05-13.84 [.435-.545]	-	CLEAR ANODIZED	ALUMINUM ALLOY	200517-7
11.05-13.84 [.435-.545]	△	NICKEL PER QQ-N-290	CARBON STEEL	200517-2
11.05-13.84 [.435-.545]	△	CLEAR ANODIZED	ALUMINUM ALLOY	200517-1
CABLE RANGE DIA	MARKING	FINISH	MATERIAL	PART NO

SHIELD HALF		NAME	
DO NOT SCALE PRINT. UNLESS SPECIFIED DIMENSIONS IN mm [INCHES] TOLERANCES ON :	DR 01/23/95 K.FOLTZ	AMP Incorporated Harrisburg, PA 17105-3608	
2 PLC DEC ±0.38 [.015]	CHK 01/24/95 R.STONE		
3 PLC DEC ± -	APPD 01/24/95 T.COULSON	NAME	
ANGLES ± -	APPD 01/24/95 T.COULSON	SHIELD KIT, UNASSEMBLED, SHORT, 34 POSITION, M SERIES	
MATERIAL	PRODUCT SPEC	SIZE	CAGE CODE
SEE CALLOUTS	-	③	00779
FINISH	APPLICATION SPEC	DRAWING NO	③=200517
SEE CALLOUTS	-	SCALE	SHEET
	WEIGHT -	2:1	1 OF 1

THIS DRAWING IS A CONTROLLED DOCUMENT FOR AMP INCORPORATED. IT IS SUBJECT TO CHANGE AND THE CONTROLLING ENGINEERING ORGANIZATION SHOULD BE CONTACTED FOR THE LATEST REVISION.