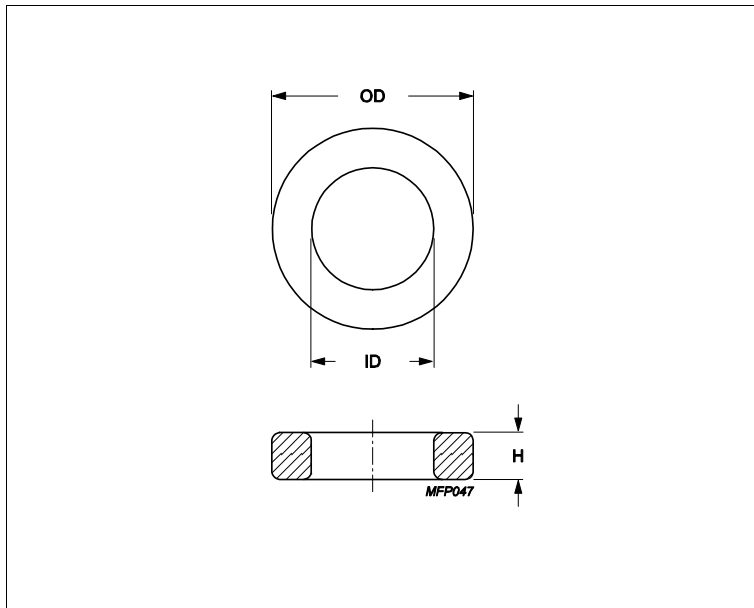


Core **Toroid 13/7.9/6.4**



Effective parameters			
	Parameter	Value	Unit
$\Sigma(I/A)$	core factor (C1)	2.21	mm ⁻¹
Ve	effective volume	442	mm ³
Le	effective length	31.2	mm
Ae	effective area	14.1	mm ²
m	mass of core	≈ 2.2	g/pcs

Epoxy coating DC isolation voltage 1500.

Maximum operating temperature of the coating is 200°C.

Dimensions (mm)

Cores	OD	ID	H	
TX13/7.9/6.4	13.35 max	7.27 min	7 max	Epoxy Coated

Core data

Cores	Material	AI (nH/turns ²)	AI tolerance	μe
TX13/7.9/6.4	3C94	1400	± 25%	≈ 2300
TX13/7.9/6.4	3E10	6100	± 20%	≈ 10000
TX13/7.9/6.4	3E12	7320	± 30%	≈ 12000
TX13/7.9/6.4	3E27	3350	± 25%	≈ 5500
TX13/7.9/6.4	3E6 (3E10-M)	6100	± 30%	≈ 10000
TX13/7.9/6.4	3E65	3170	± 25%	≈ 5200