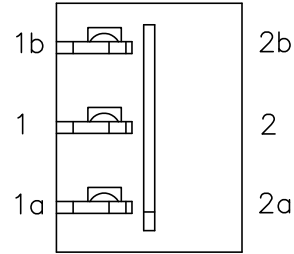
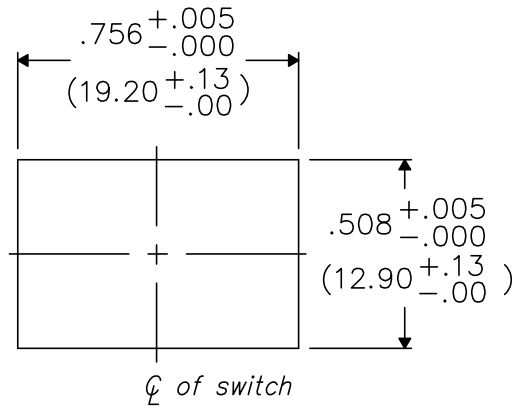
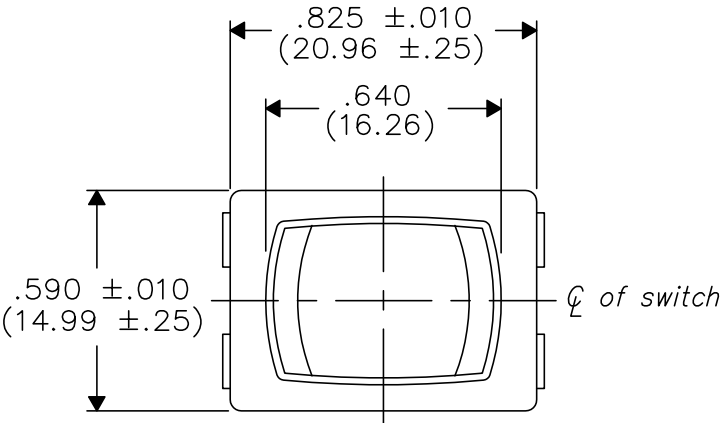


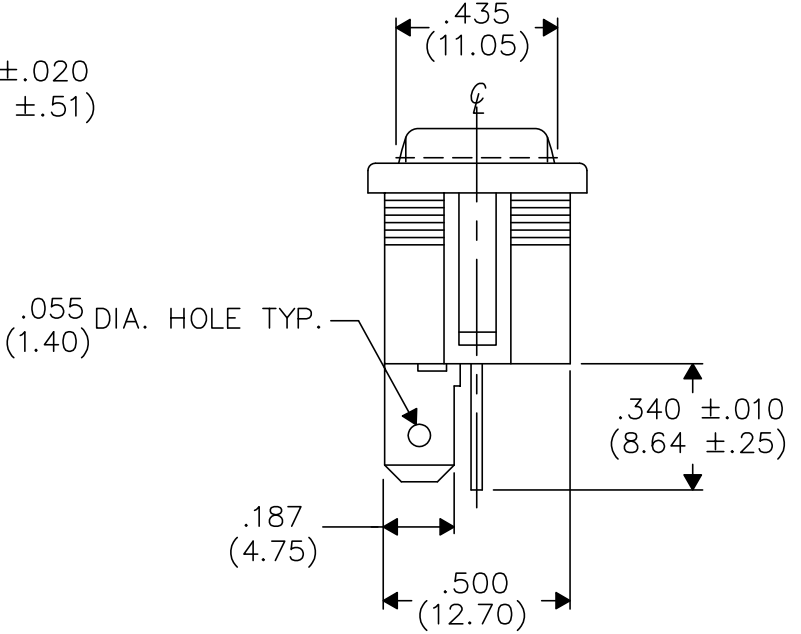
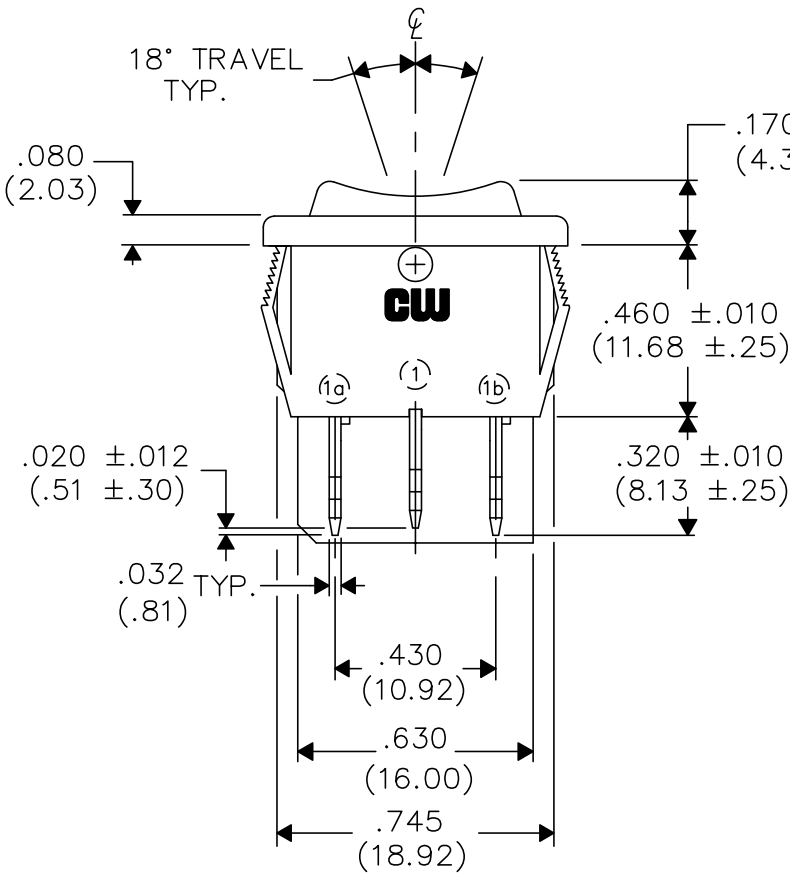
DIMENSIONS IN INCHES (MILLIMETERS)
DO NOT SCALE DRAWING

Dwg. No.
GRS-4013C-1300



PANEL PIERCING

BOTTOM VIEW



1 2 3 4 5 6 7 8 9 10

FORM-B4	REVISIONS	0	
		RELEASED.	
		DGW 1-25-2002	
		CH 1-25-2002	

PDF File Made (QRO)	CW INDUSTRIES Southampton, Pa. 18966		Title: ASSEMBLY ROCKER SWIDGET S.P.— CENTER OFF (MOM.—OFF—MOM.)
	TOLERANCES UNLESS OTHERWISE SPECIFIED		
	2 Place Decimal ±.010	METRIC	Division: SWITCH
	3 Place Decimal ±.005	1 Place Dec. ±.25mm	
	Angles ±1°	2 Place Dec. ±.13mm	Dwg. No. GRS-4013C-1300
	Made for: CW IND.		
Drawn by: DGW 1-25-2002			
Checked by: CH			
Approval: CH 1-25-2002			