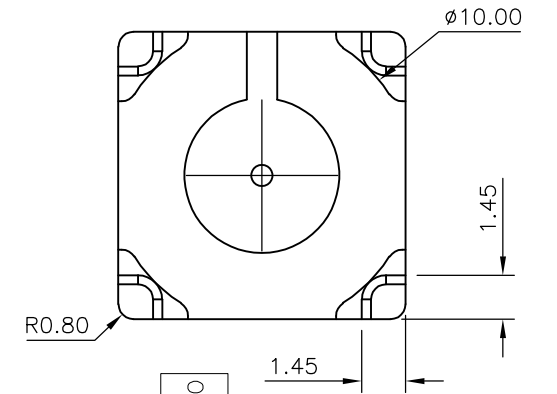
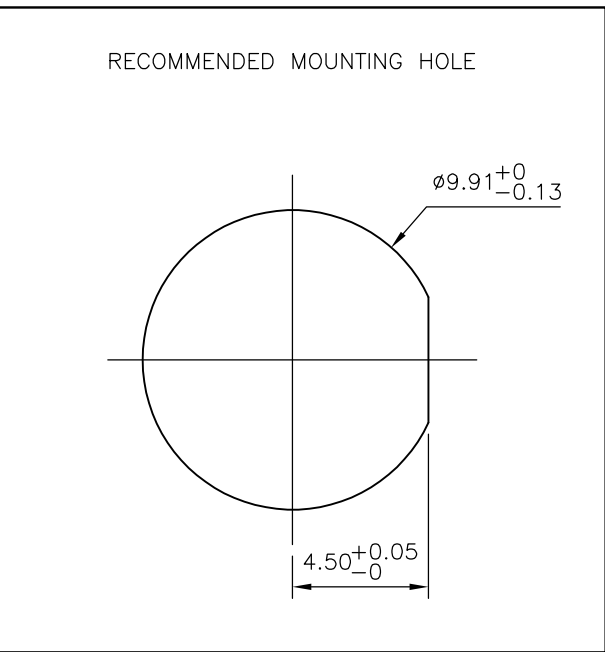
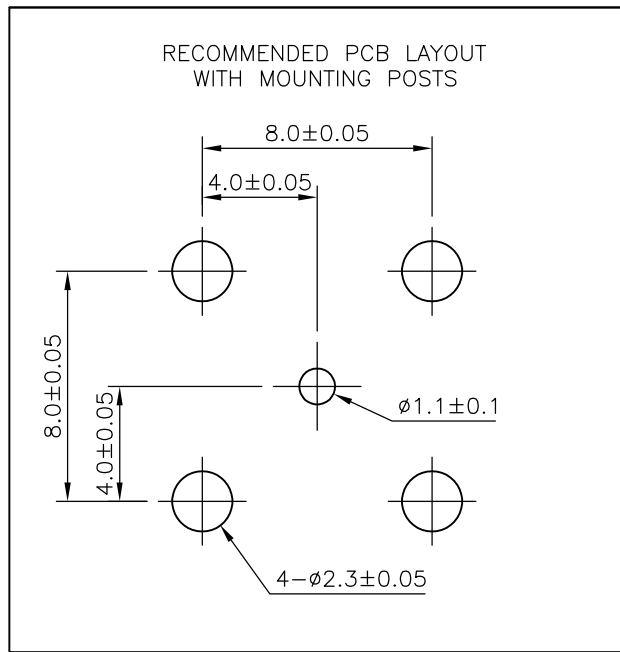
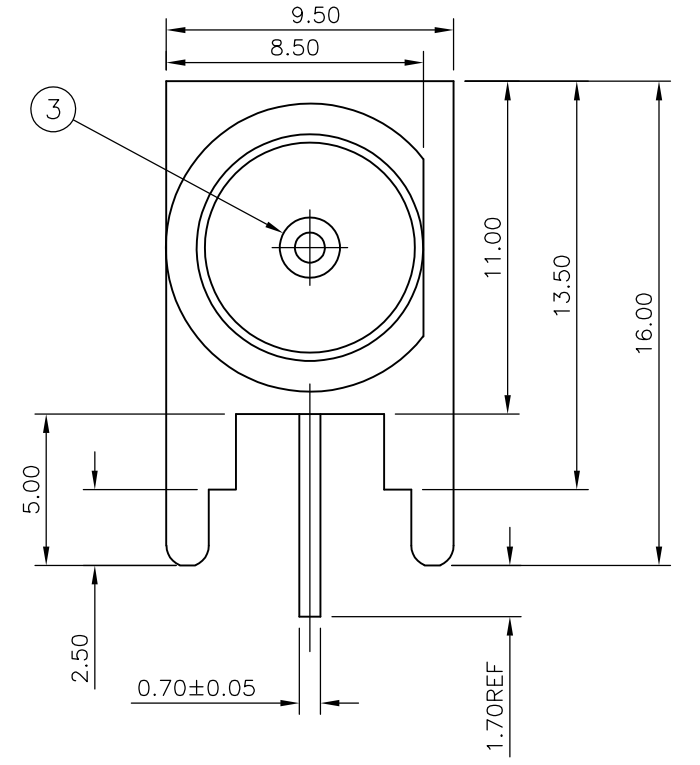
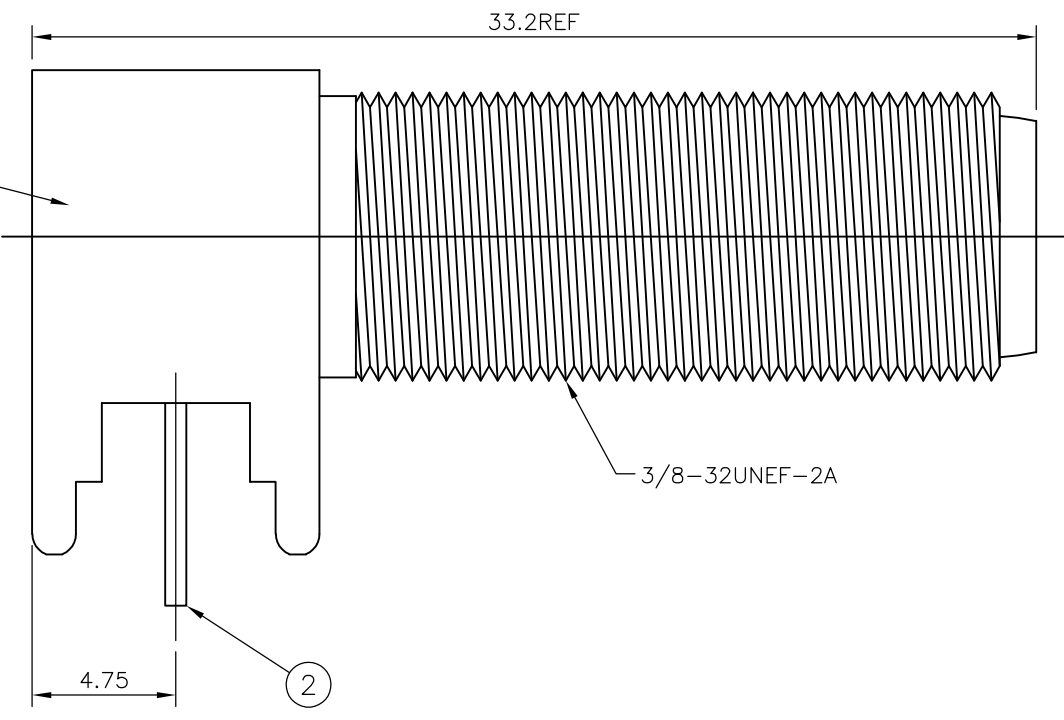


THIS DRAWING IS UNPUBLISHED. RELEASED FOR PUBLICATION SEP ,2004.
 © COPYRIGHT 2004 By - ALL RIGHTS RESERVED.

LOC	DIST	REVISIONS			
P	LTR	DESCRIPTION	DATE	DWN	APVD
E	B	D1	REVISED PER ECO-11-005033	01APR11	RK HMR
E	B	E	REVISED PER ECO-11-021675	02NOV11	TITAN MARTIN

- NOTES**
- ① 100 TRAY PACK IN ACCORDANCE WITH AMP SPEC 107-3275
 - ② SINGLE PACK IN ACCORDANCE WITH AMP SPEC 107-3275
 - ③ 1.27µm TIN PLATING OVER 0.76µm Cu PLATING
 - ④ 1.27µm Ni PLATING OVER 0.76µm Cu PLATING
 - 5. FOR TECHNICAL DATA REFER TO YOUR LOCAL TE CONNECTIVITY SALES OFFICE
 - 6. ALL DIMENSIONS ARE NOMINAL FOR REFERENCE ONLY UNLESS OTHERWISE STATED



QTY	DESCRIPTION	ITEM
1	TPX	INSULATOR 3
1	PHOS BRONZE	CONTACT 2
1	ZINC ALLOY	BODY 1
5--1	MATERIAL	DESCRIPTION ITEM

Obsolete

THIS DRAWING IS A CONTROLLED DOCUMENT.

DWN ANSON MA 14FEB09	TE Connectivity	NAME	F SERIES CONNECTOR ELBOW JACK PCB EXTENDED
CHK RITA ZUO 14FEB09		PRODUCT SPEC	108-112000
APVD BOB ZHAO 14FEB09		APPLICATION SPEC	-
		SIZE	CAGE CODE
	WEIGHT	A300779	C-1634552
		CUSTOMER DRAWING	SCALE NTS SHEET 1 OF 1 REV E