

PART NAME: HANDLE SCALE: 1:1 DATE: 10/1/90 DR. BY HD

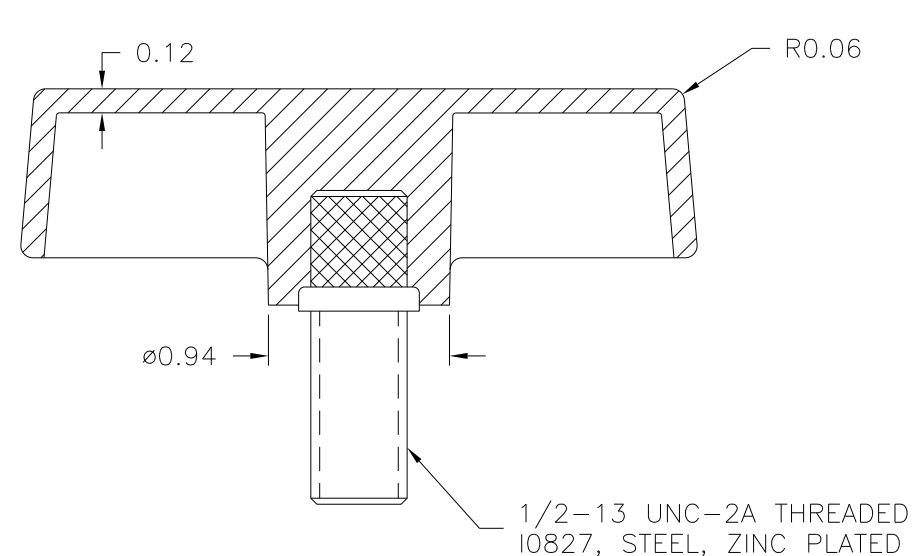
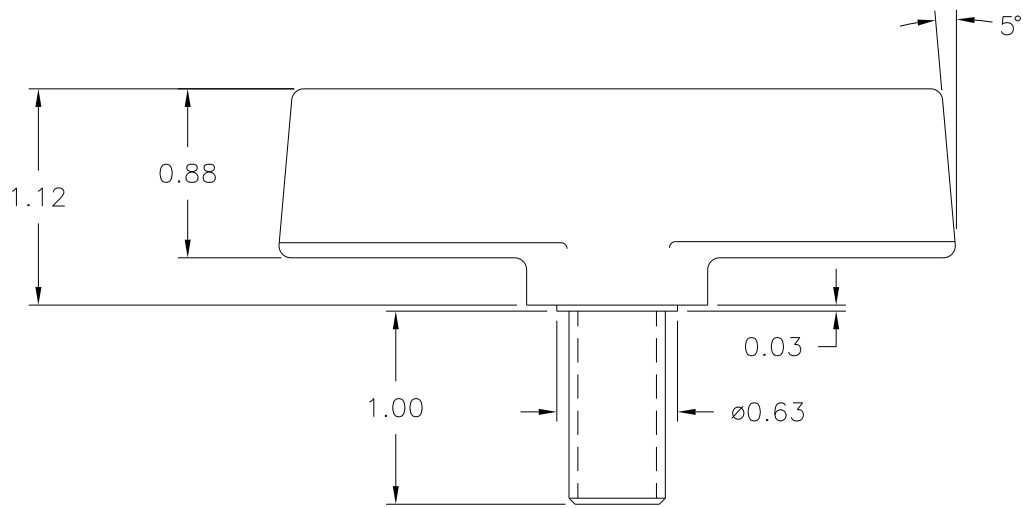
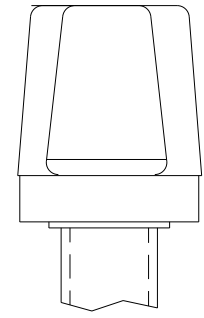
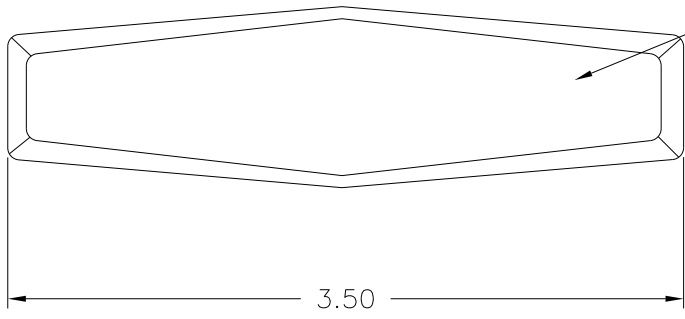
THIS DRAWING IS THE PROPERTY OF DAVIES MOLDING COMPANY, IS SUBMITTED SOLELY AS A DESIGN OR ENGINEERING PROJECT. WE ACCEPT NO RESPONSIBILITY WHATSOEVER FOR THE PRACTICAL APPLICATION OF THE PIECES MADE TO THIS DESIGN.



DESIGNERS & MANUFACTURERS OF KNOBS, HANDLES, CASES & CUSTOM PLASTIC COMPONENTS

P/N	3094-S
M NO.	27
CAVITY	3094
CORE	3094
BUSHING	3094-P
EJECT. PIN	3094
INSERT	10827

TOP SURFACE OF KNOB AND OUTER SURFACES UP TO PARTING LINE ARE TEXTURED (RE-6320)



MATERIAL: POLYPROPYLENE (CLD)
COLOR: BLACK

TOLERANCES: UNLESS OTHERWISE SPECIFIED	DO NOT SCALE DRAWING	-	RE-DID REDRAW	TL	11/12/99
DECIMALS: X.XXX ± .005 X.XX ± .015	MM: X.XX ± 0.15MM X.X ± 0.4MM	-	CAD REDRAW	HD	1/29/96
FRACTIONS ± 1/64	ANG. ± 1°	A	WAS 11133	HD	10/11/90
CHANGES					