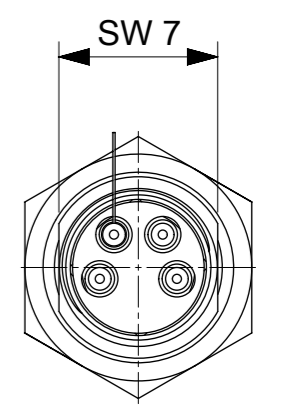
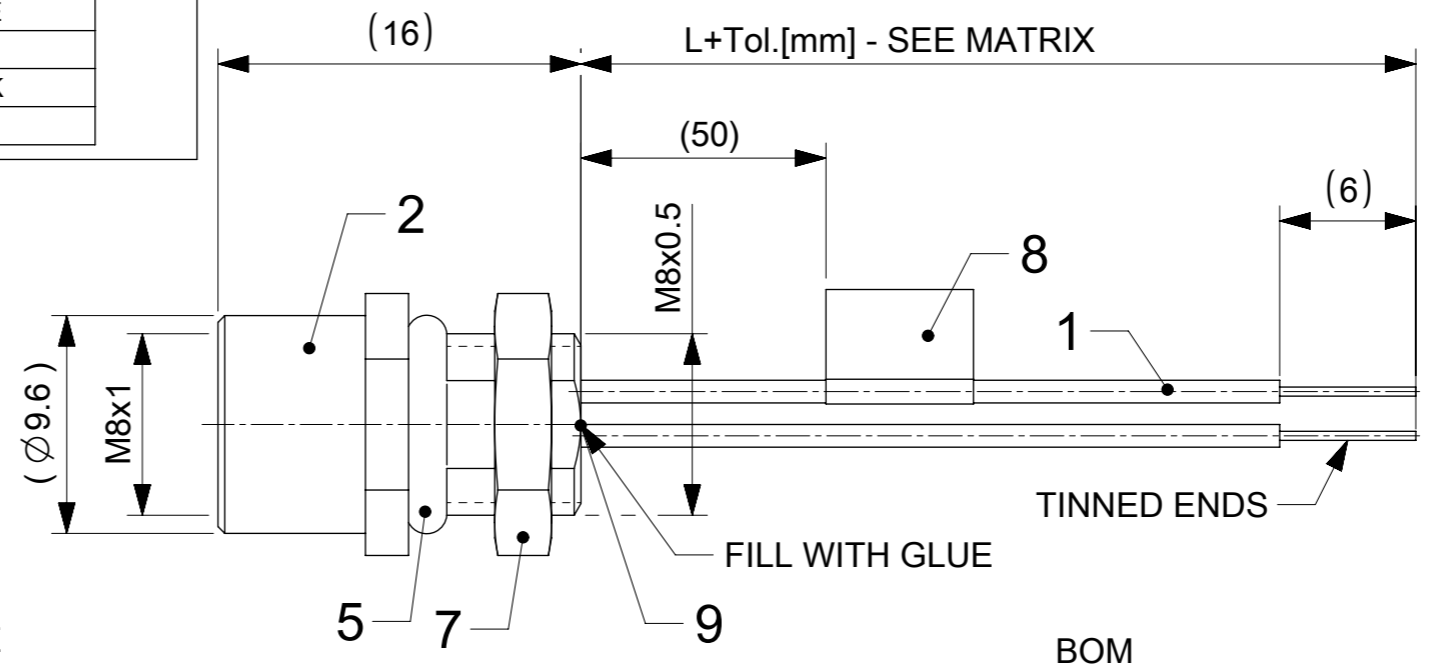
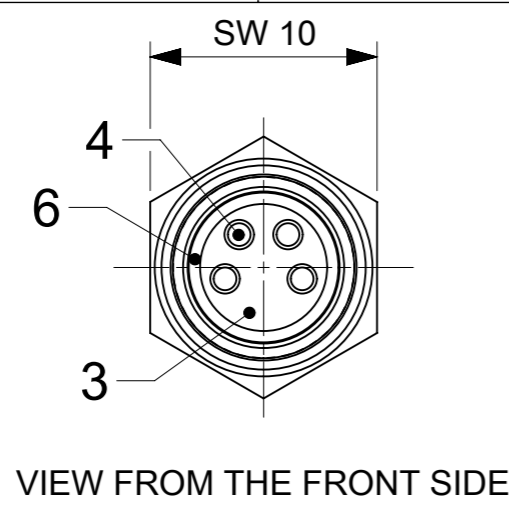


PART No. MATRIX

4 R X F 3 0 E 0 2 X X X X X

- 4R = M8 REC
- Poles: 4 = 4 Poles, 5 = 5 Poles, 8 = 8 Poles
- Shell Type
- Wires E02 = 0.25mm² PVC
- Units: M = Meters, C = Centimeters
- Length Examples: 005 = 0.5 unit, 010 = 1 unit, 100 = 10 units
- Shell material: Blank = Aluminum, 1 = stainless steel, 3 = brass with nickel plated



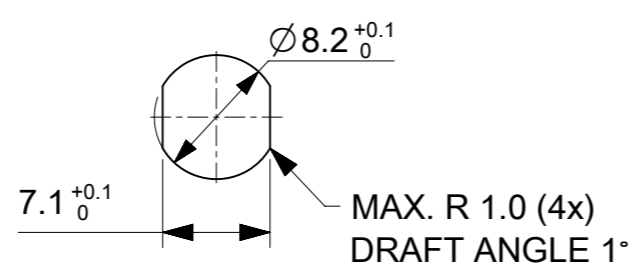
M8 3-4-5P A-B Code:
 ELECTRICAL DATA:
 3P VOLTAGE RATING: 60V
 4-5P VOLTAGE RATING: 30V
 AMPERAGE RATING: 3A
 INSULATION RESISTANCE: 10⁸ Ω MIN.
 MATING CYCLES: MIN. 100

ENVIRONMENTAL:
 PROTECTION: IP65 in mated and locked position.
 OPERATING TEMPERATURE: -25°C TO +85°C

PART LIST

| MOLEX PN | ENGINEERING NO. | LENGTH (MM) |
|------------|-----------------|-------------|
| 1200905071 | 4R3F30E02C200 | 2000 |
| 1200310015 | 4R3F30E02C3003 | 3000 |
| 1200310053 | 4R3F30E02M0203 | 2000 |
| 1200905076 | 4R4F30E02C200 | 2000 |
| 1200908035 | 4R4F30E02C2103 | 2100 |
| 1200908011 | 4R4F30E02C300 | 3000 |
| 1200310049 | 4R4F30E02C3003 | 3000 |
| 1200905106 | 4R5F30E02C200 | 2000 |
| 1200310028 | 4R5F30E02C3003 | 3000 |

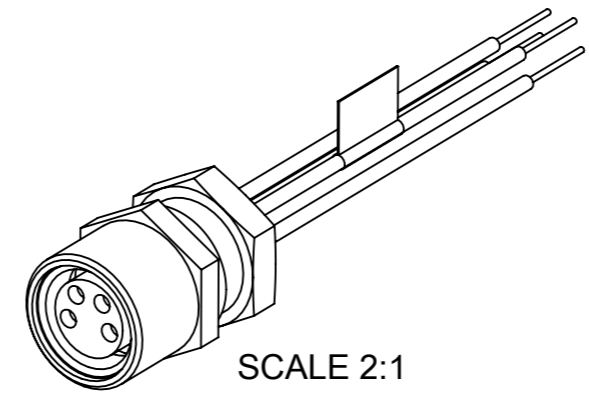
RECOMMENDED PANEL CUT OUT



| Over | Up to and including | Tolerance |
|-------|---------------------|---------------|
| 0 | 305 | +19 |
| 305 | 915 | +45 |
| 915 | 1830 | +56 |
| 1830 | 3660 | +89 |
| 3660 | 7320 | +165 |
| 7320 | 14640 | +317 |
| 14640 | 30500 | +610 |
| 30500 | > | +2% of length |

BOM

| ITEM | QTY | DESCRIPTION | MATERIAL | FINISH/COLOR |
|------|-------|------------------------|------------|-------------------------|
| 9 | - | POTTING MATERIAL | WEVO | - |
| 8 | 1 | LABEL | VINYL | YELLOW |
| 7 | 1 | LOCKNUT M8X0.5 | BRASS | NICKEL PLATED |
| 6 | 1 | GASKET | FKM | RED |
| 5 | 1 | O-RING | NBR | BLACK |
| 4 | 3/4/5 | CONTACT 10 FE | BRONZE | GOLD OVER NICKEL PLATED |
| 3 | 1 | INSERT M8 FE 5P | ELASTOLLAN | BLACK |
| 2 | 1 | REC SHELL M8(FE)XM8(M) | BRASS | NICKEL PLATED |
| 1 | - | WIRE;24AWG;OD=1.43mm | PVC | GRAY |
| | - | WIRE;24AWG;OD=1.43mm | | BROWN |
| | - | WIRE;24AWG;OD=1.43mm | | WHITE |
| | - | WIRE;24AWG;OD=1.43mm | | BLUE |
| | - | WIRE;24AWG;OD=1.43mm | | BLACK |



THIS DRAWING CONTAINS INFORMATION THAT IS PROPRIETARY TO MOLEX ELECTRONIC TECHNOLOGIES, LLC AND SHOULD NOT BE USED WITHOUT WRITTEN PERMISSION

FUNCTIONAL SYMBOLS: $\nabla/A = 0$, $\nabla/E = 0$, $\nabla/F = 0$

DIVISIONAL SYMBOLS: $\nabla/A = 0$, $\nabla/E = 0$, $\nabla/F = 0$

THIS DRAWING CONTAINS INFORMATION THAT IS PROPRIETARY TO MOLEX ELECTRONIC TECHNOLOGIES, LLC AND SHOULD NOT BE USED WITHOUT WRITTEN PERMISSION

CURRENT REV DESC: MIGRATED AND REVISED

EC NO: 702547
 DRWN: MDHARMANTI 2022/04/05
 CHK'D: RSILLER 2022/04/08
 APPR: RSILLER 2022/04/08

INITIAL REVISION:
 DRWN: MDHARMANTI 2022/04/05
 APPR: RSILLER 2022/04/08

THIRD ANGLE PROJECTION

DRAWING: A3-SIZE
 SERIES: 120090
 MATERIAL NUMBER: SEE PART LIST
 CUSTOMER: GENERAL MARKET

DOCUMENT NUMBER: 1200905076
 DOC TYPE: PSD
 DOC PART: 000
 REVISION: A

SHEET NUMBER: 1 OF 1

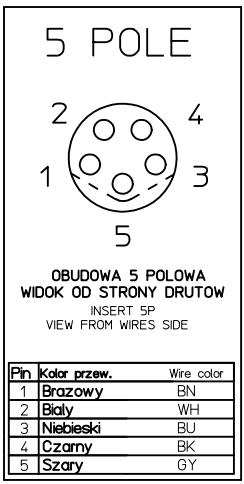
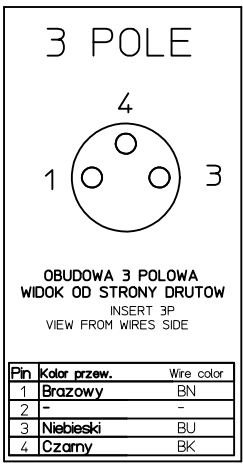
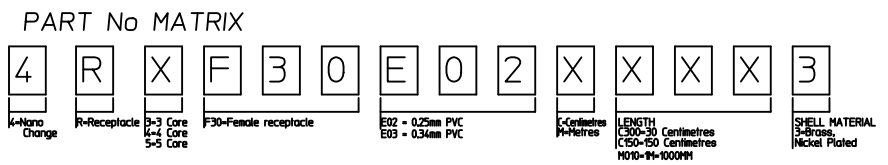


TABELA 1
CHART 1

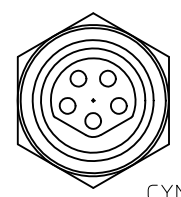
| MOLEX PN | WOODHEAD PN | L(mm) | TYP |
|------------|----------------|-------|----------|
| 1200310015 | 4R3F30E02C3003 | 300 | 3 POLOWY |
| 1200310053 | 4R3F30E02M0203 | 2000 | 3 POLOWY |
| 1200310034 | 4R4F30E02C2003 | 200 | 4 POLOWY |
| 1200310049 | 4R4F30E02C3003 | 300 | 4 POLOWY |
| 1200310058 | 4R4F30E02M0103 | 1000 | 4 POLOWY |
| 1200310028 | 4R5F30E02C3003 | 300 | 5 POLOWY |
| 1200310111 | 4R4F30E02M010 | 1000 | 4 POLOWY |
| 1200905002 | 4R4F30E03M0203 | 2000 | 4 POLOWY |
| 1200908011 | 4R4F30E02C300 | 300 | 4 POLOWY |

Tablica tolerancji dlugosci
Table of length tolerances

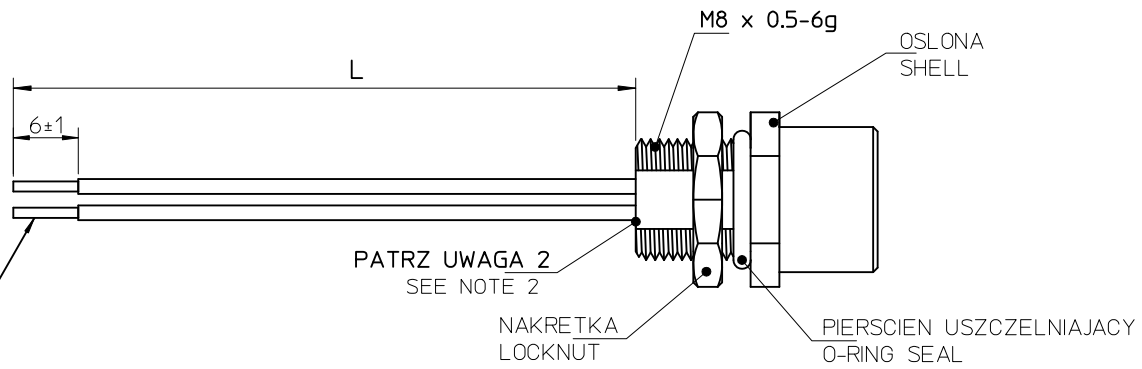
| Powyzej Over | Do-wlacznice Up to and including | Tolerancja (+) Tolerance |
|-----------------|-------------------------------------|-----------------------------|
| 0 | 305 | +19 |
| 305 | 915 | +45 |
| 915 | 1830 | +56 |
| 1830 | 3660 | +89 |
| 3660 | 7320 | +165 |
| 7320 | 14640 | +317 |
| 14640 | 30500 | +610 |
| 30500 | > | +2% dlugosci of length |



WIDOK OD STRONY CZOLA
FACE VIEW



CYNOWAC
TINNED



- UWAGI:
- DLUGOSC CIECIA I SPECYFIKACJE NABIJANIA WEDLUG LISTY CIECIA.
 - PO OSADZENIU TERMINALI ZALAC KLEJEM.

- NOTES:
- FOR CUTTING LENGTH AND CRIMPING SPECIFICATION SEE CUTTING LIST.
 - AFTER ASSEMBLED TERMINALS THE CONNECTOR MUST BE FLOOD BY GLUE.

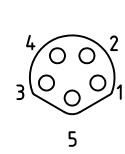
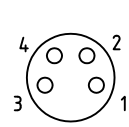
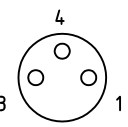
| | | | | | | | |
|--|--|---|---|-------------------------------|---------------------|------------------------|--|
| ORIGINAL RELEASE EC NO: WEU2009-0439 DRWN: MWOLSZCZAK 2009/06/04 CHKD: APPR: MDYSZEWSKA 2011/12/08 | QUALITY SYMBOLS | GENERAL TOLERANCES (UNLESS SPECIFIED) | DIMENSION STYLE | SCALE | DESIGN UNITS | FIRST ANGLE PROJECTION | |
| | ▽=0 ∇=0 | mm INCH | MM ONLY | --- | METRIC | | |
| | | 4 PLACES ± --- ± --- 3 PLACES ± --- ± --- 2 PLACES ± --- ± --- 1 PLACE ± --- ± --- | DRAWN BY DATE MWOLSZCZAK 2008/05/10 | TITLE | | | |
| | | ANGULAR ± ---° | CHECKED BY DATE MDABROWSKA 2008/05/10 | NC-XP-FE-REC -XXXM-M8-THD. | | | |
| | DRAFT WHERE APPLICABLE MUST REMAIN WITHIN DIMENSIONS | APPROVED BY DATE MDYSZEWSKA 2011/12/08 | MOLEX INCORPORATED | | | | |
| | | MATERIAL NO. SEE DRAWING | DOCUMENT NO. 4RXF30XXXXXXX3 | | SHEET NO. 1 OF 1 | | |
| | | SIZE A3 | THIS DRAWING CONTAINS INFORMATION THAT IS PROPRIETARY TO MOLEX INCORPORATED AND SHOULD NOT BE USED WITHOUT WRITTEN PERMISSION | | | | |

FEMALE FACE VIEW

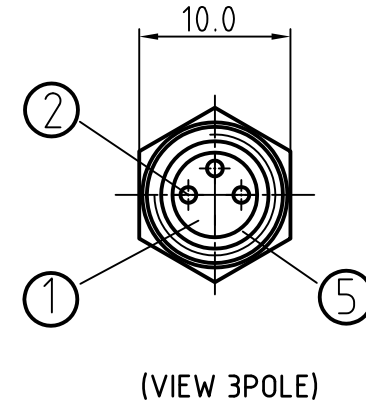
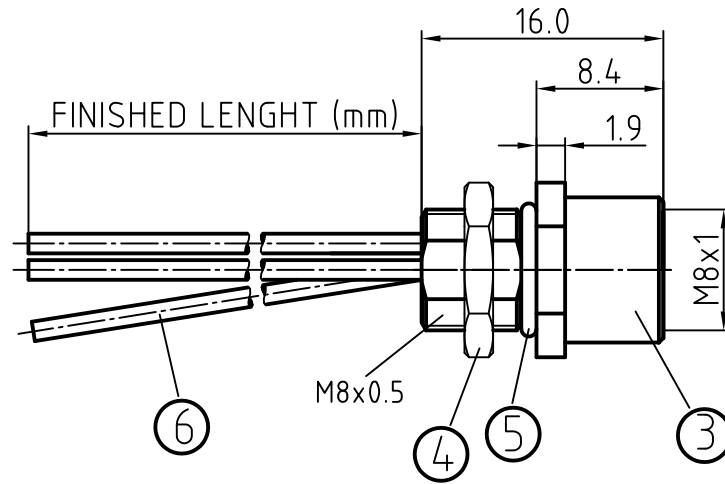
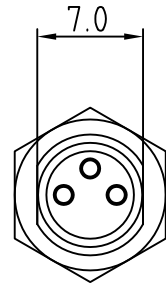
3 POLE

4 POLE

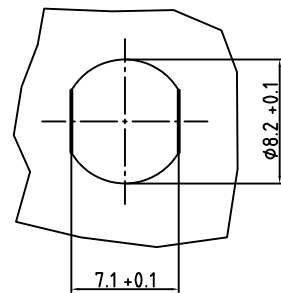
5 POLE



| Pin No. | Wire | Pin No. | Wire | Pin No. | Wire |
|---------|-------|---------|-------|---------|-------|
| 1 | Brown | 1 | Brown | 1 | Brown |
| 2 | - | 2 | White | 2 | White |
| 3 | Blue | 3 | Blue | 3 | Blue |
| 4 | Black | 4 | Black | 4 | Black |
| | | | | 5 | Grey |



PANEL CUT OUT



| POLE | MATERIAL NUMBER | ENGINEERING NUMBER | FINISHED LENGHT (MM) |
|------|-----------------|--------------------|----------------------|
| 3 | 1200310015 | 4R3F30E02C3003 | 300±25 |
| 4 | 1200310034 | 4R4F30E02C2003 | 200±25 |
| 5 | 1200310028 | 4R5F30E02C3003 | 300±25 |

| CONNECTOR SPECIFICATION: | |
|--------------------------|--|
| VOLTAGE RATING | 3-4POL:60V/AC 75V/DC 5POL:30V/AC 36V/DC |
| AMPERAGE RATING | 3 AMPS |
| PROTECTION | IP67 |
| OPERATING TEMPERATURE | -25°C TO +90°C |

| ITEM | COMPONENT | MATERIAL | FINISH |
|------|---|--------------------|------------------|
| 1 | INSERT | POLYURETHANE (PUR) | BLACK |
| 2 | CONTACT SOCKET | COPPER ALLOY | GOLD OVER NICKEL |
| 3 | SHELL | BRASS | NICKEL PLATED |
| 4 | LOCKNUT | BRASS | NICKEL PLATED |
| 5 | O-RING | VITON | |
| 6 | COPPER STRANDING AWG24/0.25mm ² | JACKET: PVC | |

| | | | | | | |
|---|-----------------|---|--|--|--------------------|------------------------|
| DESCRIPTION EC NO: WEU2010-0338 DRWN: REISSNER 2010/02/18 CHKD: RE APPR: FPACHER 2010/02/24 | QUALITY SYMBOLS | GENERAL TOLERANCES (UNLESS SPECIFIED) | DIMENSION STYLE | SCALE | DESIGN UNITS | THIRD ANGLE PROJECTION |
| | ▽ = 0 ▽ = 0 | mm INCH 4 PLACES ± --- ± --- 3 PLACES ± --- ± --- 2 PLACES ± --- ± --- 1 PLACE ± 0.1 ± --- ANGULAR ± --- ° | MM ONLY | 2:1 | METRIC | |
| | | DRAFT WHERE APPLICABLE MUST REMAIN WITHIN DIMENSIONS | DRAWN BY DATE REISSNER 2010/02/18 CHECKED BY DATE FP 2010/02/18 APPROVED BY DATE FPACHER 2010/02/19 | NC-XP-FE-REC-XM AWG24-PVC FRONT MOUNT | | |
| | 1 | | MATERIAL NO. SEE TABLE SIZE A3 THIS DRAWING CONTAINS INFORMATION THAT IS PROPRIETARY TO MOLEX INCORPORATED AND SHOULD NOT BE USED WITHOUT WRITTEN PERMISSION | DOCUMENT NO. SD-120090-028 SHEET NO. 1 OF 1 | MOLEX INCORPORATED | |