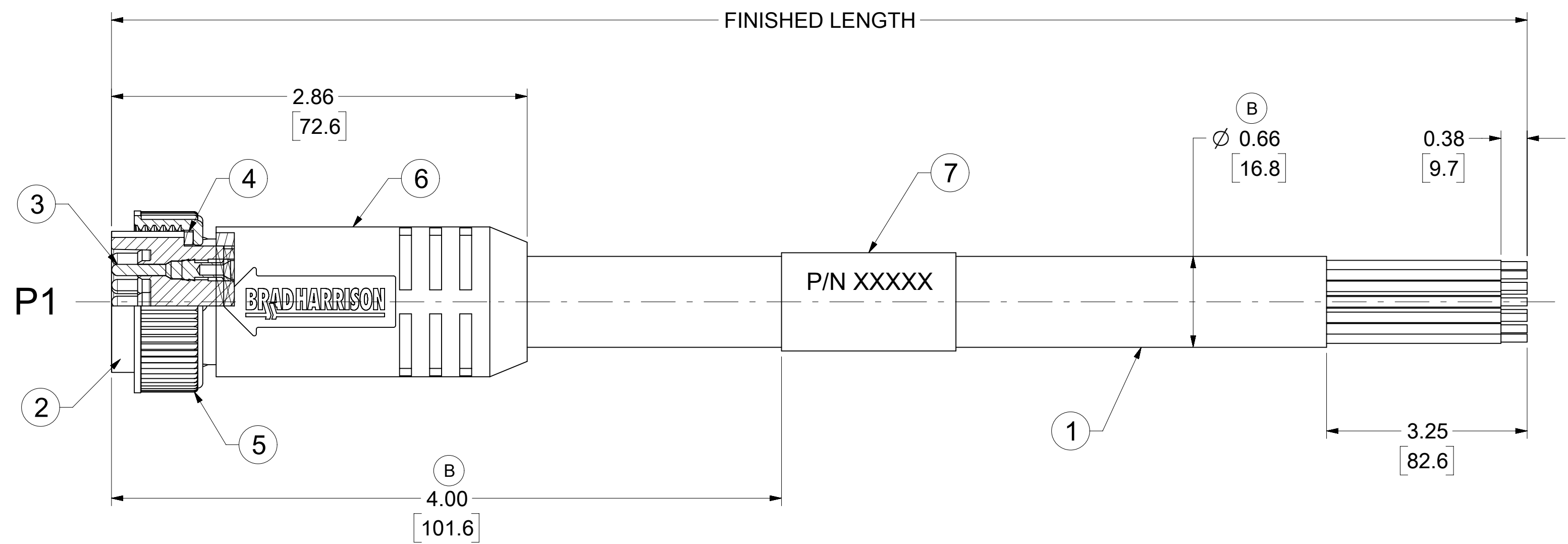
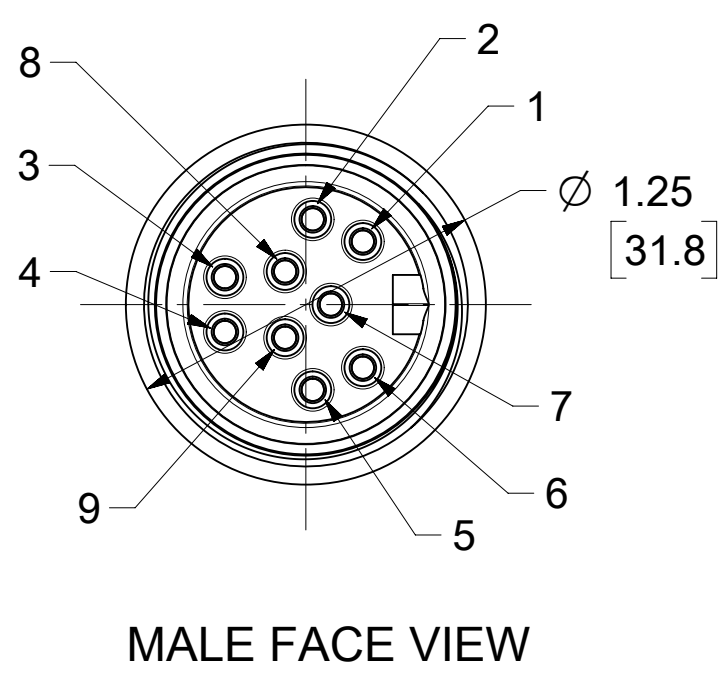
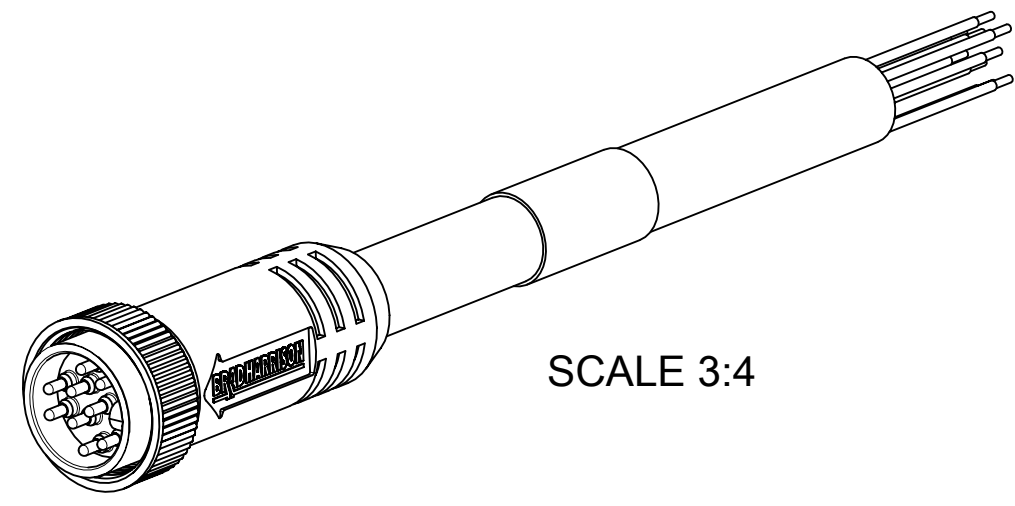


MATERIAL NO.	ENGINEERING NO.	FINISHED LENGTH
1300080364	309002A01F030	3 FT. (0.91 M)
1300080370	309002A01F200	20 FT. (6.10 M)
1300080373	309002A01F300	30 FT. (9.14 M)

CABLE LENGTH TOLERANCES
 <.3M [1FT]: +19mm-0 [+.75in-0]
 .3 - .9M [1 - 3FT]: +44.5mm-0 [+1.75in-0]
 .9 - 1.8M [3 - 6FT]: +55.6mm-0 [+2.19in-0]
 1.8 - 3.7M [6 - 12FT]: +88.9mm-0 [+3.50in-0]
 3.7 - 7.3M [12 - 24FT]: +165.1mm-0 [+6.50in-0]
 7.3-14.6M [24 - 48FT]: +317.5mm-0 [+12.50in-0]
 14.6 - 30.5M [48-100FT]: +622.3mm-0 [+24.50in-0]
 OVER 30M [100FT] +2% OF FINISHED LENGTH



- NOTES:**
- MATERIAL: AS NOTED
 - FINISH: AS NOTED
 - ELECTRICAL:
 VOLTAGE: 320V PER IEC60664
 600V PER UL2238
 CURRENT: 7A
 - TEMP RATING: -20°C TO +105°C
 - PROTECTION: IP67 (WHEN MATED)
 - CSA CERTIFIED FILE: LR6837
 - UL RECOGNIZED FILE: E152210
 - COUPLING THREAD: 1 1/8"-16UN
 - ASSEMBLY IS ROHS COMPLIANT
 - ALL DIMS ARE FOR REFERENCE UNLESS TOLERANCED OR NOTED OTHERWISE

WIRING DIAGRAM

P1	Color
1	ORANGE
2	BLUE
3	RED/BLACK TRACE
4	GREEN/BLACK TRACE
5	WHITE
6	RED
7	GREEN - GND
8	WHITE/BLACK TRACE
9	BLACK

PART NUMBER MATRIX

309002A01F030

FINISHED LENGTH
 F001= .1 FT
 F020= 2 FT
 F200= 20 FT

7	LABEL	VINYL	BLACK/YELLOW
6	OVERMOLD	TPE	YELLOW
5	COUPLING NUT	ZINC DIE CAST	BLACK E-COAT
4	FRICTION RING	NYLON	NATURAL
3	PIN CONTACT	Cu ALLOY	GOLD OVER NICKEL
2	MALE INSERT	TPE	YELLOW
1	#16-9 CABLE,STOOW/ST	PVC JACKET	YELLOW
ITEM	DESCRIPTION	MATERIAL	FINISH

THIS DRAWING CONTAINS INFORMATION THAT IS PROPRIETARY TO MOLEX ELECTRONIC TECHNOLOGIES, LLC AND SHOULD NOT BE USED WITHOUT WRITTEN PERMISSION

DIMENSION UNITS	SCALE	CURRENT REV DESC: UPDATED ITEM #2,6,7, LABEL DIM. AND MATERIAL P/N TABLE. ADDED CSA, UL, IEC VOLT, TEMP RATING, IP RATING, TOL. CHART, PART NUMBER MATRIX AND CABLE DIA.	molex		
INCH/MM	1.5:1				
GENERAL TOLERANCES (UNLESS SPECIFIED)		EC NO: 673727	MINI-CHANGE CORDSET, C SIZE 9 POLE, MALE, STRAIGHT, SINGLE KEY, 16AWG		
4 PLACES	±	DRWN: AKABADI	PRODUCT CUSTOMER DRAWING		
3 PLACES	±	CHK'D: RSTONE	DOCUMENT NUMBER		
2 PLACES	±	APPR: BWOODMAN	DOC TYPE DOC PART REVISION		
1 PLACE	±	INITIAL REVISION:	SD-130008-010		
0 PLACES	±	DRWN: BRUPERT	PSD 001 B		
ANGULAR TOL	± 0.5 °	APPR: JFMURPHY	MATERIAL NUMBER		
DRAFT WHERE APPLICABLE MUST REMAIN WITHIN DIMENSIONS	THIRD ANGLE PROJECTION	DRAWING	CUSTOMER		
		C-SIZE	GENERAL MARKET		
		SERIES	SHEET NUMBER		
		130008	1 OF 1		