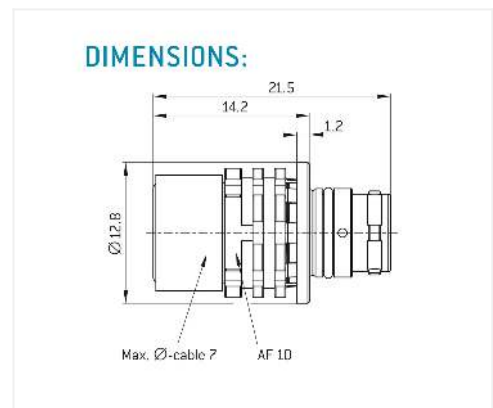
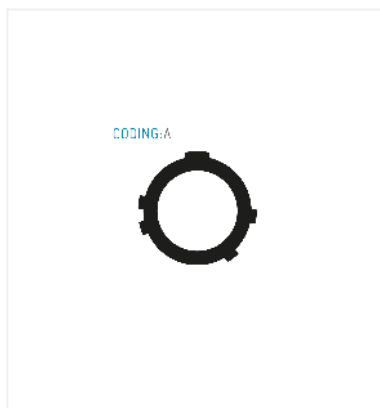


General information

Part number	A10WAM-P16XBC0-0000
Termination	solder
Size	0
Locking principle	break
Coding	a_key_amc
Cable Diameter	cable_amchd_0
Cable outlet	overmolding



Contact insert description

Number of contacts	16
Contact type	pins
Contact diameter	03mm
Insulator material	peek
Wire cross section	28_awg
Termination	solder

reverse_gender_on_request

Technical information

Nominal current single contact	01_a	iec_60512_5_2
Nominal current insert	0,5 A	vde_0298_4
Test voltage	075_kv_dc	eia_364_20f

safety_text

Mechanical and environmental data

Degree of protection*	ipsk8_ip6k9k
-----------------------	--------------

Operating temperature	51_125_c
-----------------------	----------

Mating cycles	5000
---------------	------

mated

Material and surface treatments

Housing	ruthenium
---------	-----------

Contact	cu_alloy_gold
---------	---------------

safety_text_2

ul_text

illustrative_text