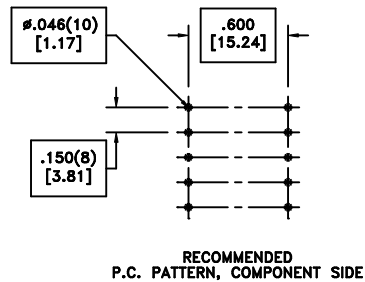
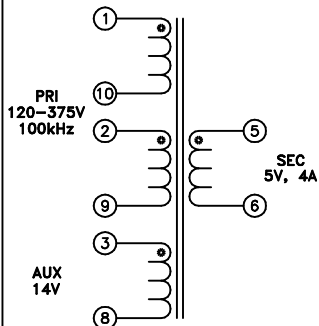
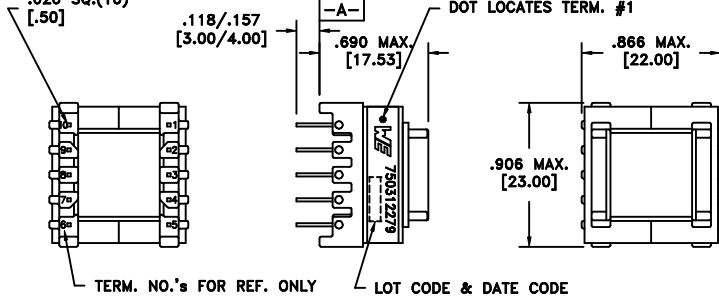


CUSTOMER TERMINAL	RoHS	LEAD(Pb)-FREE
Sn96%, Ag4%	Yes	Yes

more than you expect



PART MUST INSERT FULLY TO SURFACE A IN RECOMMENDED GRID .020 SQ.(10) [.50]



Customer to tie terminals 2+10 internally on PC board.

**ELECTRICAL SPECIFICATIONS @ 25°C unless otherwise noted:**

PARAMETER	TEST CONDITIONS	VALUE
D.C. RESISTANCE	1-9 tie(2+10), @20°C	0.500 ohms ±10%
D.C. RESISTANCE	3-8 @20°C	0.056 ohms ±20%
D.C. RESISTANCE	5-6 @20°C	0.010 ohms max.
INDUCTANCE	1-9 tie(2+10), 10kHz, 100mVAC, Ls	750uH ±5%
SATURATION CURRENT	20% rolloff from initial	840mA
LEAKAGE INDUCTANCE	1-9 tie(2+10, 3+8, 5+6), 100kHz, 100mVAC, Ls	10.5uH typ., 20.0uH max.
DIELECTRIC	1-5 tie(2+3+10), 3750VAC, 1 second	3000VAC, 1 minute
DIELECTRIC	1-8 tie(2+10), 625VAC, 1 second	500VAC, 1 minute
URNS RATIO	(1-10):(2-9)	1:1, ±1%
URNS RATIO	(1-9):(3-8), tie(2+10)	7.5:1, ±1%
URNS RATIO	(1-9):(5-6), tie(2+10)	20:1, ±1%

**GENERAL SPECIFICATIONS:**

OPERATING TEMPERATURE RANGE: -40°C to +125°C including temp rise.

Safety Standard Undefined.

Wire insulation & RoHS status not affected by wire color.  
Wire insulation color may vary depending on availability.

REV.	DATE	Packaging Specifications Method: Tray PKG-0736 www.we-online.com/midcom		Tolerances unless otherwise specified: Angles: ±1°      Decimals: ±.005 [.13] Fractions: ±1/64      Footprint: ±.001 [.03]	DRAWING TITLE TRANSFORMER	PART NO. 750312279
6A	11/11	SEE REVISION SHEET FOR REVISION LEVEL	CONVENTION PLACEMENT	This drawing is dual dimensioned. Dimensions in brackets are in millimeters.	eiSos p/n: 750312279	SPECIFICATION SHEET 1 OF 1

