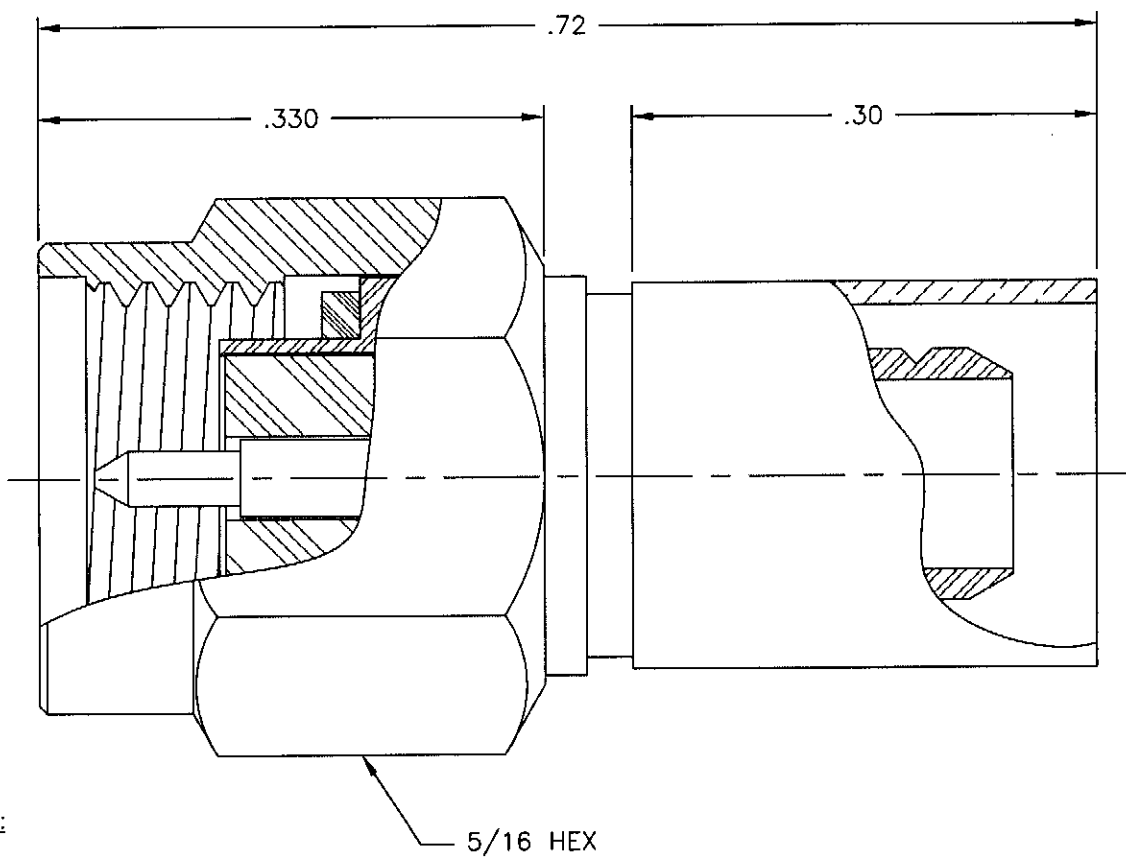


REVISIONS			
REV	DESCRIPTION	DATE	APPROVED
A	ECO #3102	05/24/99	A.M.




NOTES:

MATERIALS:

1. BODY & COUPLING NUT = STAINLESS STEEL PER ASTM A582, ALLOY 303, CONDITION "A".
2. INSULATOR = VIRGIN WHITE TEFLON PER ASTM D1710, GRADE 1, TYPE I, CLASS "A".
3. CONTACT & RETAINING RING = BERYLLIUM COPPER PER ASTM B196, ALLOY C17300, TEMPER TD04.
4. GASKET = SILICONE RUBBER PER ZZ-R-765, CLASS 2B, GRADE 65-75.
5. CRIMP SLEEVE = SEAMLESS COPPER TUBING PER ASTM B75, TYPE C12000, TEMPER LIGHT ANNEAL O50, EXCEPT YIELD STRENGTH.

FINISHES:

1. BODY = GOLD PLATE PER MIL-G-45204, TYPE II, CLASS 0, GRADE C, OVER .000050 TO .00010 STRESS FREE NICKEL PER QQ-N-290.
2. CRIMP SLEEVE = GOLD PLATE PER MIL-G-45204, TYPE II, CLASS 0, GRADE C, OVER .00010 TO .00020 COPPER STRIKE PER MIL-C-14550.
3. CONTACT = GOLD PLATE PER MIL-G-45204, TYPE II, CLASS 1, GRADE C, OVER .00010 TO .00020 STRESS FREE SULFAMATE NICKEL PER QQ-N-290.
4. COUPLING NUT = PASSIVATE PER QQ-P-35, TYPE VI.

UNLESS OTHERWISE SPECIFIED DIMENSIONS ARE IN INCHES TOLERANCES ON		DWN: A.M.	DATE: 05/21/99	 APPLIED ENGINEERING PRODUCTS 104 John W. Murphy Dr. New Haven, CT 06513
DECIMAL	ANGLE	CHKD: D.N.	DATE: 05/21/99	
	±2°	APVD: G.L.	DATE: 05/24/99	SMA STRAIGHT MALE SOLDER/CRIMP TO RG-55, 142 & 223
REFERENCE:	MATERIALS & FINISHES:	SEE NOTES		
ORIGINATOR: D.N. DATE: 01/11/96		SIZE: A	FSCM NO.: 19505	DWG NO.: 9001-1023-001
		SCALE: 8:1	CODE:	REV: A
				SHEET 1 OF 1

9001-1023-001