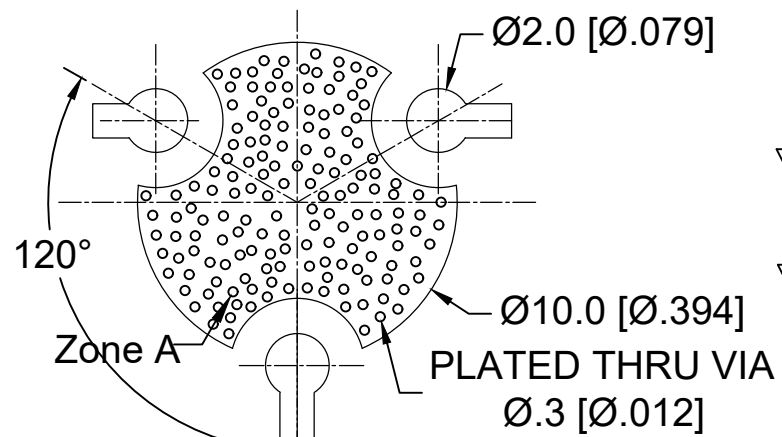
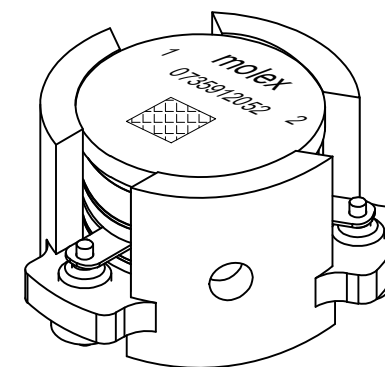
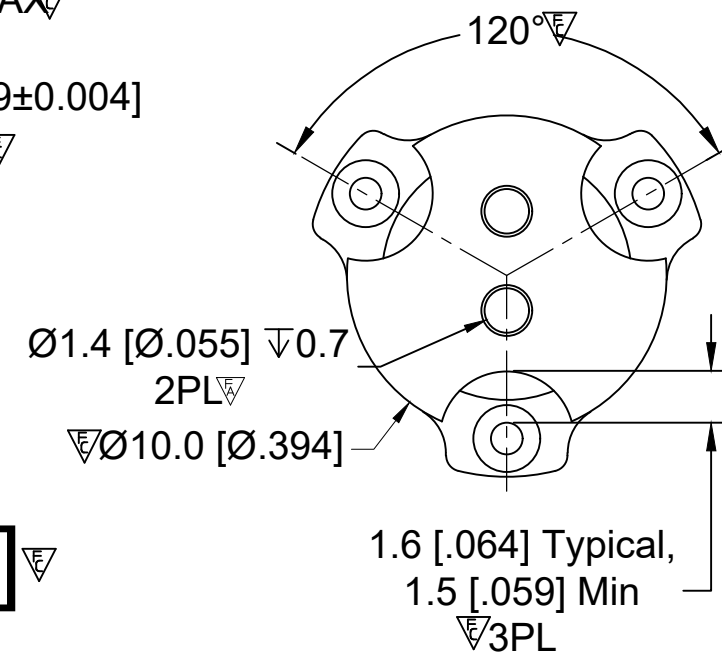
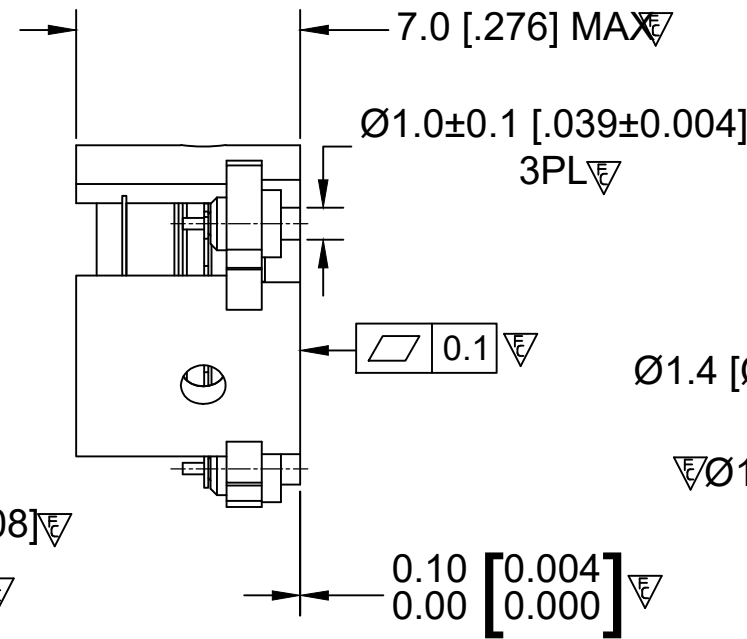
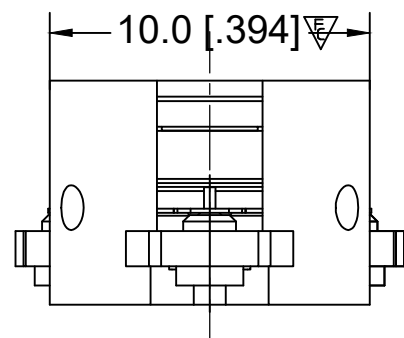
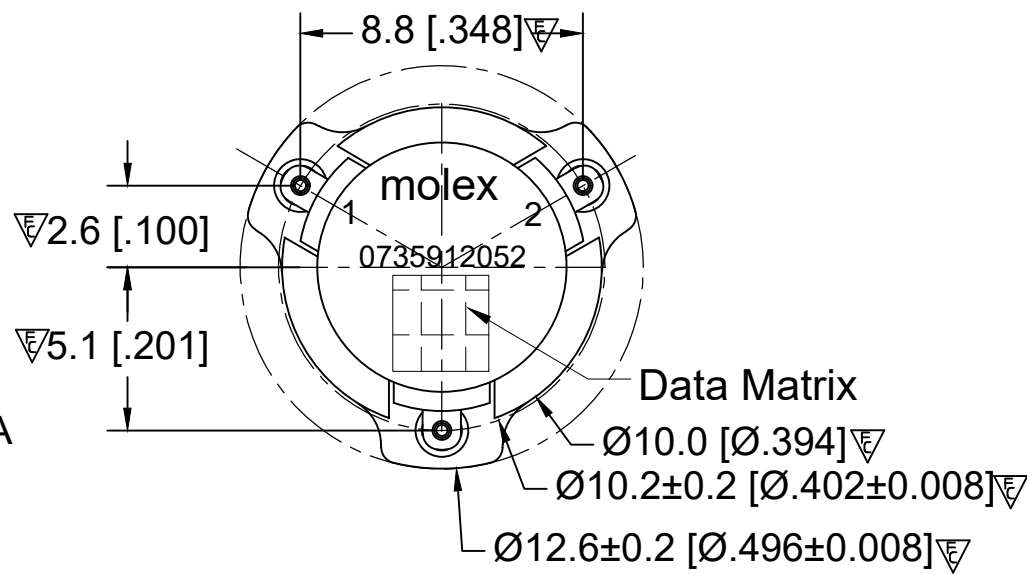


**RECOMMENDED LAND PATTERN :**

Zone A must be attached to heat sink. Thermal conductivity of intermediate layers between Zone A and heat sink must be better than 0.1 W / [°C x mm].



PCB Material :Rogers RO4350B,0.508mm thickness  
trace width 1.07mm wide.



**ELECTRICAL SPECIFICATIONS :**

- Frequency Range : 4500~5000 MHz
- Insertion Loss : 0.25 dB@25°C ,0.28dB Max
- Isolation : 21 dB Min
- Return Loss : 21 dB Min
- Average Power : 20 W (CW)
- Peak Power : 160 W
- 2nd Harmonic : 10 dB min
- 3rd Harmonic : 5 dB min
- FMD(2 x 5 W, 1 MHz space) : -60 dBc Max
- Operating Temperature : -40°C to +105°C
- +105°C to +130°C : power capacity and reliability no change ,  
Insertion loss reduce 20%, other spec.reduce 10%,  
No reliability risk for long period work.
- Storage Temperature : -65°C to +155°C
- Direction : CW

BODY: CARBON STEEL, SILVER PLATED

RIGID PINS: COPPER, SILVER PLATED

**NOTES:**

- 1.STANDARD INPUT/OUTPUT IMPEDANCE 50 Ohm
- 2.LEAD FREE, NO Nd MATERIAL, BeO FREE
- 3.THE DIMENSION OF DATE MATRIX IS 3X3MM INFORMATION INCLUDING  
WORK ORDER NUMBER-SERIAL NUMBER-MATERIAL NUMBER
- 4.THIS PART COMPLIES WITH ALL RoHS REQUIREMENTS

**ENG PART#:802-450-500-VP040**

FUNCTIONAL SYMBOLS	THIS DRAWING CONTAINS INFORMATION THAT IS PROPRIETARY TO MOLEX ELECTRONIC TECHNOLOGIES, LLC AND SHOULD NOT BE USED WITHOUT WRITTEN PERMISSION		CURRENT REV DESC:		<b>molex</b>
	DIMENSION UNITS	SCALE	RELEASE TO PROD		
DIVISIONAL SYMBOLS	MM	1:1	EC NO: 696580		SMSJ CIRCULATOR/4500~5000MHZ/CW
	GENERAL TOLERANCES (UNLESS SPECIFIED)		DRWN: SREN05 2022/02/21		
DIVISIONAL SYMBOLS	4 PLACES	±0.005	±----	CHK'D: JLI252 2022/02/23	RESTRICTED PRODUCT CUSTOMER DRAWING
	3 PLACES	±0.025	±----	APPR: HWANG186 2022/03/01	
	2 PLACES	±0.13	±----	INITIAL REVISION:	
	1 PLACE	±0.2	±----	DRWN: SREN05 2021/11/15	
	0 PLACES	±0.4	±----	APPR: HWANG186 2022/03/01	DOCUMENT NUMBER
	ANGULAR TOL ± 1.5 °		DRAWING		735912052
	DRAFT WHERE APPLICABLE MUST REMAIN WITHIN DIMENSIONS		THIRD ANGLE PROJECTION	SERIES	PSD 000 A
			A3-SIZE	MATERIAL NUMBER	CUSTOMER
				73591	0735912052
				CUSTOMER	1 OF 1