

## Evaluating the **ADM3062E** 3.0 V to 5.5 V, $\pm 12$ kV IEC ESD Protected, 500 kbps RS-485 Transceiver

### FEATURES

- Easy evaluation of **ADM3062E** 500 kbps RS-485 transceiver
- Board layouts for standard half-duplex RS-485 footprints
  - 10-lead MSOP, **ADM3062EBRMZ** (EVAL-ADM3062EEBZ)
  - 10-lead LFCSP, **ADM3062EBCPZ** (EVAL-ADM3062EEB1Z)
- Power/ground connections through screw terminal block
  - 3.0 V to 5.5 V operating voltage range on  $V_{CC}$
  - 1.62 V to 5.5 V  $V_{IO}$  logic supply
- IEC ESD protection on the RS-485 A and B bus pins
  - $\pm 12$  kV contact discharge and  $\pm 12$  kV air gap discharge
- Screw terminal blocks for logic input/output and RS-485 signals
- Jumper-selectable enable/disable for RE and DE
- Test points for measuring all signals
- Resistors and footprints for termination and biasing networks

### EVALUATION KIT CONTENTS

EVAL-ADM3062EEBZ or EVAL-ADM3062EEB1Z

### ADDITIONAL EQUIPMENT NEEDED

- Oscilloscope
- Signal generator or universal asynchronous receiver/transmitter (UART)
- 3 V to 5 V supply

### GENERAL DESCRIPTION

The EVAL-ADM3062EEBZ and EVAL-ADM3062EEB1Z allow quick and easy evaluation of the **ADM3062E** 500 kbps, RS-485 transceiver with standard MSOP and LFCSP footprints, respectively. The evaluation boards allow the use of input and output functions without external components. Screw terminal blocks provide convenient connections for power and ground, digital input and output, and RS-485 signals. The evaluation boards can be powered by a standard configurable bench power supply within a 3.0 V to 5.5 V range.

The EVAL-ADM3062EEBZ evaluation board has a footprint for the **ADM3062EBRMZ** half-duplex RS-485 transceiver in a 10-lead MSOP package. The EVAL-ADM3062EEB1Z evaluation board has a footprint for the **ADM3062EBCPZ** half-duplex RS-485 transceiver in a 10-lead LFCSP package.

Complete specifications for the **ADM3062E** are provided in the **ADM3062E** data sheet and must be consulted in conjunction with this user guide when using the evaluation board.

### EVALUATION BOARD PHOTOGRAPHS



Figure 1. EVAL-ADM3062EEBZ Evaluation Board



Figure 2. EVAL-ADM3062EEB1Z Evaluation Board

**TABLE OF CONTENTS**

Features .....	1	Other Board Components.....	3
Evaluation Kit Contents.....	1	Half-Duplex RS-485 Transceivers Point to Point Test.....	4
Additional Equipment Needed .....	1	IEC 61000-4-2 ESD Protection to ±12 kV (Contact) and ±12 kV (Air Gap) .....	4
General Description .....	1	Evaluation Board Schematics and Artwork.....	5
Evaluation Board Photographs .....	1	Ordering Information.....	8
Revision History .....	2	Bill of Materials.....	8
Evaluation Board Hardware.....	3	Related Links.....	9
Setting Up the Evaluation Board .....	3		
Input and Output Connections .....	3		

**REVISION HISTORY**

2/2018—Revision 0: Initial Version

## EVALUATION BOARD HARDWARE

### SETTING UP THE EVALUATION BOARD

The EVAL-ADM3062EEBZ and EVAL-ADM3062EEB1Z evaluation boards are powered by connecting a 3.0 V or 5.5 V power supply to the J1 screw terminals at the top of the evaluation board for the [ADM3062E](#) V<sub>CC</sub> pin and GND pin. A 10  $\mu$ F decoupling capacitor, C3, is fitted at the connector between V<sub>CC</sub> and GND. The V<sub>CC</sub> pin of the RS-485 transceiver is fitted with a 100 nF decoupling capacitor, C1, with a second footprint for an optional additional capacitor, C2. The V<sub>IO</sub> pin can be connected with V<sub>CC</sub> or a separate 1.8 V power supply.

Corresponding labeled test points allow monitoring of the power supply to the evaluation board and the probe reference to ground.

### INPUT AND OUTPUT CONNECTIONS

Digital input and output signals are connected via the J3 screw terminal block, allowing wire connections from the evaluation boards to a signal generator or UART. The EVAL-ADM3062EEBZ and EVAL-ADM3062EEB1Z include connections for data input (DI), receiver output (RO), receiver enable ( $\overline{\text{RE}}$ ), and driver enable (DE). Alternatively, jumper connections can drive these inputs and/or connect them to the VCC and GND pins (see Table 1).

Connections to an RS-485 bus are made via a screw terminal block, J5. For the EVAL-ADM3062EEBZ or EVAL-ADM3062EEB1Z half-duplex boards, there are two bus input/output signals, A and B, for noninverting and inverting signals, respectively. The bus cable can include a common ground connection or shield and can also be connected to the J5 screw terminal block of the evaluation boards. Test points are available on the evaluation boards and are appropriately labeled for all digital and bus input/output signals.

**Table 1. Jumper Configurations**

Link	Connection	Description
LK1	A	Connects the receiver enable ( $\overline{\text{RE}}$ ) input of the <a href="#">ADM3062E</a> to the VCC pin. This setting disables the receiver.
	B	Connects the $\overline{\text{RE}}$ input of the <a href="#">ADM3062E</a> to GND. This setting enables the receiver.
	C	Connects the $\overline{\text{RE}}$ input of the <a href="#">ADM3062E</a> to the J3-2 terminal block connector.
	D	Connects the $\overline{\text{RE}}$ input of the <a href="#">ADM3062E</a> to the J3-3 terminal block connector; that is, the input for both $\overline{\text{RE}}$ and DE is set by LK1. This setting ensures that when the driver is enabled, the receiver is disabled, or when the driver is disabled, the receiver is enabled.
LK2	A	Connects the DE input of the <a href="#">ADM3062E</a> to the VCC pin. This setting enables the driver.
	B	Connects the DE input of the <a href="#">ADM3062E</a> to GND. This setting disables the driver.
	C	Connects the DE input of the <a href="#">ADM3062E</a> to the J3-2 terminal block connector.
LK3	Inserted	Connects the 120 $\Omega$ RT1 termination resistor across the RS-485 A and B pins.
	Not inserted	Disconnects the 120 $\Omega$ RT1 termination resistor across the RS-485 A and B pins.
LK4	Inserted	Connects the 120 $\Omega$ RT2 termination resistor across the RS-485 A and B pins.
	Not inserted	Disconnects the 120 $\Omega$ RT2 termination resistor across the RS-485 A and B pins.
LK6	Inserted	Connects Pin V <sub>CC</sub> with Pin V <sub>IO</sub> on the <a href="#">ADM3062E</a> device.
	Not inserted	Disconnects Pin V <sub>CC</sub> with Pin V <sub>IO</sub> on the <a href="#">ADM3062E</a> device.

### OTHER BOARD COMPONENTS

The EVAL-ADM3062EEBZ and EVAL-ADM3062EEB1Z evaluation boards include footprints for termination resistors, RT1 and RT2, as well as pull-up and pull-down resistors, R1 and R2. Termination resistors of 120  $\Omega$  are fitted to the evaluation board; these resistors can be removed or replaced with a different value resistor as needed. Inserting both LK3 and LK4 adds a 60  $\Omega$  load to the RS-485 driver.

#### **Biasing Resistors for Bus Idle Fail-Safe**

Although the [ADM3062E](#) has a built in receiver fail-safe for the bus idle condition, there are footprints on the evaluation boards for fitting the R2 pull-up resistor to the V<sub>CC</sub> pin on A, as well as the R1 pull-down resistor to GND on B. These resistors can be fitted if the user is connecting to other devices that require such external biasing resistors on the bus. The exact value required for a 200 mV minimum differential voltage in the bus idle condition depends on the supply voltage (for example, 960  $\Omega$  for 3.3 V and 1440  $\Omega$  for 5 V).

For more information about the bus idle fail-safe, see the [AN-960 Application Note, RS-485/RS-422 Circuit Implementation Guide](#).

**HALF-DUPLEX, RS-485 TRANSCEIVERS POINT TO POINT TEST**

A point to point test can be set up with either two EVAL-ADM3062EEBZ evaluation boards or two EVAL-ADM3062EEB1Z evaluation boards. Figure 4 shows two half-duplex evaluation boards in this configuration. Note that the positions of LK1 and LK2 on each evaluation board enable the driver on one evaluation board and the receiver on the other evaluation board. Remove LK4 from the EVAL-ADM3062EEBZ or EVAL-ADM3062EEB1Z evaluation board to ensure both ends of the bus have only a 120 Ω load. Differential signals on the bus are monitored with an oscilloscope, as well as with the DI pin and RO pin of the ADM3062E.

**IEC 61000-4-2 ESD PROTECTION TO ±12 kV (CONTACT) AND ±12 kV (AIR GAP)**

The EVAL-ADM3062EEBZ and EVAL-ADM3062EEB1Z evaluation boards are tested to achieve protection against IEC 61000-4-2 electrostatic discharge (ESD) to ±12 kV (contact), and ±12 kV (air gap) on the RS-485 A and B bus pins.

The IEC 61000-4-2 ESD standard describes testing using two coupling methods known as contact discharge and air gap discharge. Contact discharge implies a direct contact between the discharge gun and the equipment under test (EUT).

During air discharge testing, the charged electrode of the discharge gun is moved toward the EUT until a discharge occurs as an arc across the air gap. The discharge gun does not make direct contact with the EUT.

During testing, the EVAL-ADM3062EEBZ and EVAL-ADM3062EEB1Z A and B pins are subjected to at least 10 positive and 10 negative single discharges with a 1 sec interval between each pulse. The highest specified IEC 61000-4-2 ESD test is Level 4, which defines a contact discharge voltage of ±8 kV and an air discharge voltage of ±15 kV.

Figure 3 shows the 8 kV contact discharge current waveform, as described in the ADM3062E data sheet. Some key IEC 61000-4-2 waveform parameters are rise times of less than 1 ns and pulse widths of approximately 60 ns.

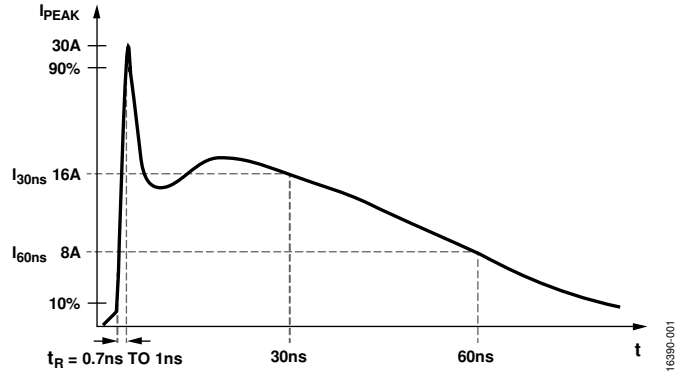


Figure 3. IEC 61000-4-2 ESD Waveform (8 kV)

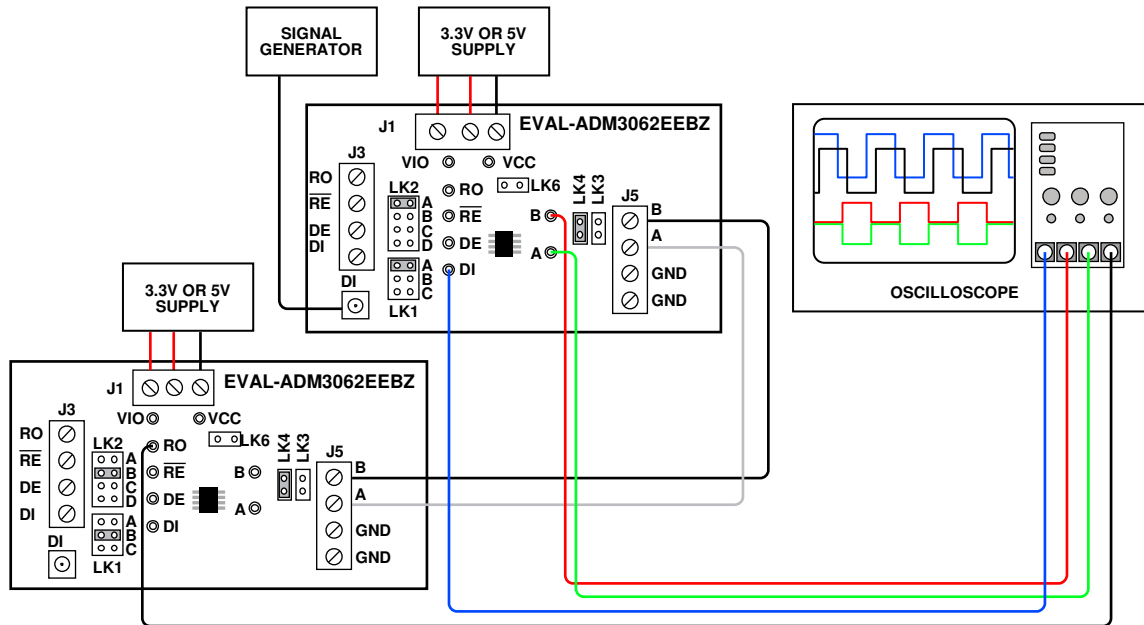


Figure 4. Half-Duplex RS-485 Two Board Point to Point Test

EVALUATION BOARD SCHEMATICS AND ARTWORK

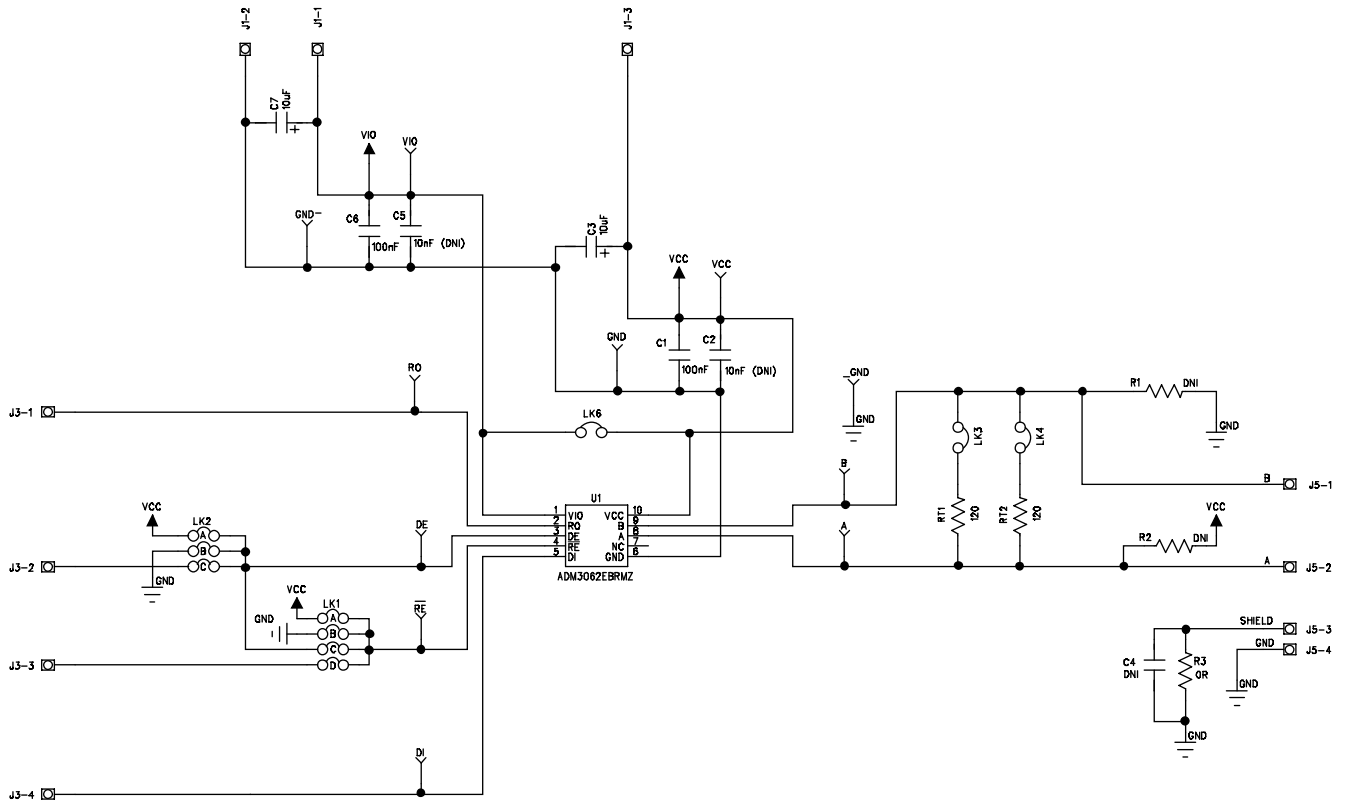


Figure 5. EVAL-ADM3062EEBZ Schematic

1639P-003

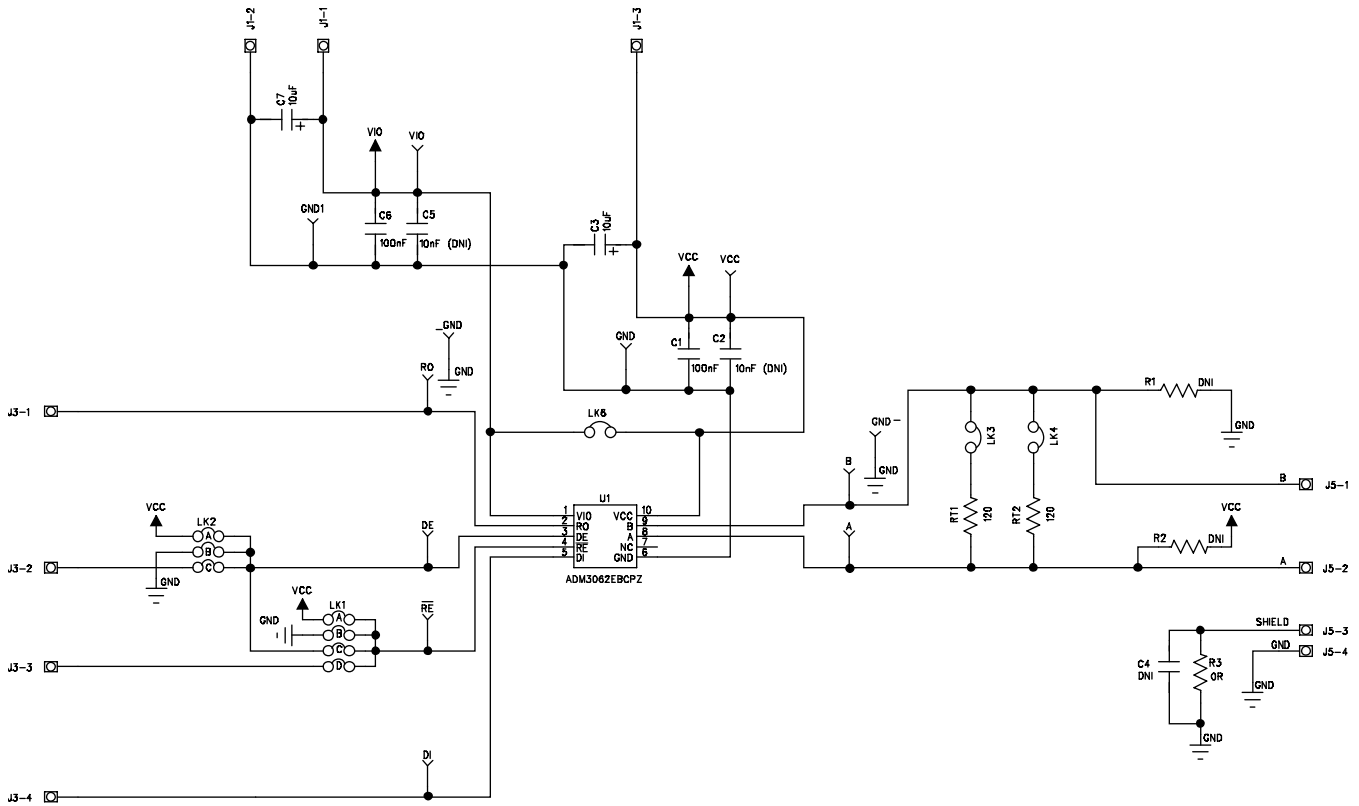


Figure 6. EVAL-ADM3062EEB1Z Schematic

16390-004

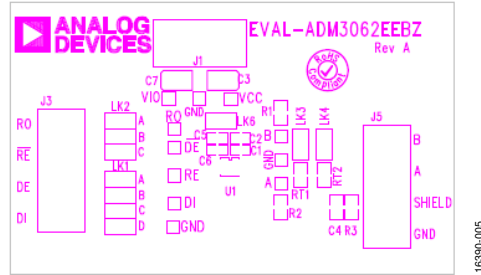


Figure 7. EVAL-ADM3062EEBZ/EVAL-ADM3062EEB1Z Silkscreen

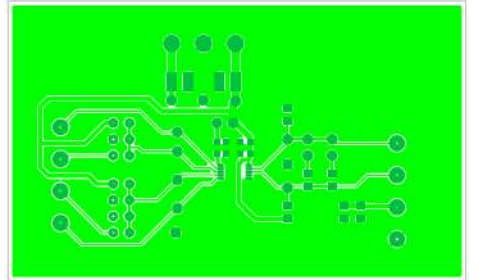


Figure 8. EVAL-ADM3062EEBZ/EVAL-ADM3062EEB1Z Component Side/Layer 1

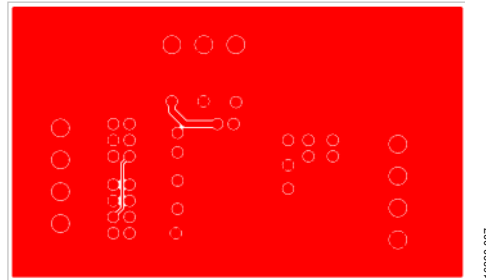


Figure 9. EVAL-ADM3062EEBZ/EVAL-ADM3062EEB1Z Layer 2

## ORDERING INFORMATION

## BILL OF MATERIALS

Table 2. EVAL-ADM3062EEBZ

Quantity	Reference Designator	Description	Supplier	Part Number
2	C1, C6	Capacitor, 100 nF, 0805	Multicomp	MC0603B104K160CT
1	C4	Capacitor, not placed/optional	Not applicable	Not applicable
2	C5, C2	Capacitors, 10 nF, 0603	Multicomp	MC0201B103K100CT
2	C3, C7	Capacitors, 10 $\mu$ F, Case B	Kemet	B45196H3106K209
6	A, B, DE, DI, $\overline{RE}$ , RO	Test points, yellow	Vero Technologies	20-313140
3	GND, GND, GND	Test points, black	Vero Technologies	20-2137
1	J1	Three-way terminal block	Campden	CTB5000/3
2	J3, J5	Four-way terminal blocks	Lumberg	KRM 04
1	LK1	8-pin (4 $\times$ 2), 0.1" header and shorting block	Harwin	M20-9953646
1	LK2	6-pin (3 $\times$ 2), 0.1" header and shorting block	Harwin	M20-9953646
3	LK3, LK4, LK6	Jumper blocks, 2-pin, 0.1" spacing	Harwin	M20-9990246
2	R1, R2	Resistors, not placed/optional	Not applicable	Not applicable
1	R3	Resistor, 0 $\Omega$ , 0805	Vishay Draloric	CRCW08050000Z0EA
2	RT1, RT2	Resistors, 120 $\Omega$ , 0805	Multicomp	MC 0.1W 0805 1% 120R
1	U1	3 V to 5.5 V, IEC ESD protected, 500 kbps	Analog Devices, Inc.	<a href="#">ADM3062EBRMZ</a>
2	VCC, VIO	Test points, red	Vero Technologies	20-313137

Table 3. EVAL-ADM3062EEB1Z

Quantity	Reference Designator	Description	Supplier	Part Number
2	C1, C6	Capacitors, 100 nF, 0805	Multicomp	MC0603B104K160CT
1	C4	Capacitor, not placed/optional	Not applicable	Not applicable
2	C2, C5	Capacitors, 10 nF, 0603	Multicomp	MC0201B103K100CT
2	C3, C7	Capacitors, 10 $\mu$ F, Case B	Kemet	B45196H3106K209
6	A, B, DE, DI, $\overline{RE}$ , RO	Test points, yellow	Vero Technologies	20-313140
3	GND, GND, GND	Test points, black	Vero Technologies	20-2137
1	J1	Three-way terminal block	Campden	CTB5000/3
2	J3, J5	Four-way terminal blocks	Lumberg	KRM 04
1	LK1	8-pin (4 $\times$ 2), 0.1" header and shorting block	Harwin	M20-9953646
1	LK2	6-pin (3 $\times$ 2), 0.1" header and shorting block	Harwin	M20-9953646
3	LK3, LK4, LK6	Jumper blocks, 2-pin, 0.1" spacing	Harwin	M20-9990246
2	R1, R2	Resistors, not placed/optional	Not applicable	Not applicable
1	R3	Resistor, 0 $\Omega$ , 0805	Vishay Draloric	CRCW08050000Z0EA
2	RT1, RT2	Resistors, 120 $\Omega$ , 0805	Multicomp	MC 0.1W 0805 1% 120R
1	U1	3 V to 5.5 V, IEC ESD protected, 500 kbps	Analog Devices, Inc.	<a href="#">ADM3062EACPZ</a>
2	VCC, VIO	Test points, red	Vero Technologies	20-313137



**RELATED LINKS**

Resource	Description
<a href="#">ADM3062E</a>	3.0 V to 5.5 V, ±12 kV IEC ESD Protected, 500 kbps RS-485 Transceiver
<a href="#">AN-960</a>	RS-485/RS-422 Circuit Implementation Guide
<a href="#">Interface RS-485 and RS-422</a>	RS-485/RS-422 Product Selection



**ESD Caution**

**ESD (electrostatic discharge) sensitive device.** Charged devices and circuit boards can discharge without detection. Although this product features patented or proprietary protection circuitry, damage may occur on devices subjected to high energy ESD. Therefore, proper ESD precautions should be taken to avoid performance degradation or loss of functionality.

**Legal Terms and Conditions**

By using the evaluation board discussed herein (together with any tools, components documentation or support materials, the "Evaluation Board"), you are agreeing to be bound by the terms and conditions set forth below ("Agreement") unless you have purchased the Evaluation Board, in which case the Analog Devices Standard Terms and Conditions of Sale shall govern. Do not use the Evaluation Board until you have read and agreed to the Agreement. Your use of the Evaluation Board shall signify your acceptance of the Agreement. This Agreement is made by and between you ("Customer") and Analog Devices, Inc. ("ADI"), with its principal place of business at One Technology Way, Norwood, MA 02062, USA. Subject to the terms and conditions of the Agreement, ADI hereby grants to Customer a free, limited, personal, temporary, non-exclusive, non-sublicensable, non-transferable license to use the Evaluation Board FOR EVALUATION PURPOSES ONLY. Customer understands and agrees that the Evaluation Board is provided for the sole and exclusive purpose referenced above, and agrees not to use the Evaluation Board for any other purpose. Furthermore, the license granted is expressly made subject to the following additional limitations: Customer shall not (i) rent, lease, display, sell, transfer, assign, sublicense, or distribute the Evaluation Board; and (ii) permit any Third Party to access the Evaluation Board. As used herein, the term "Third Party" includes any entity other than ADI, Customer, their employees, affiliates and in-house consultants. The Evaluation Board is NOT sold to Customer; all rights not expressly granted herein, including ownership of the Evaluation Board, are reserved by ADI. CONFIDENTIALITY. This Agreement and the Evaluation Board shall all be considered the confidential and proprietary information of ADI. Customer may not disclose or transfer any portion of the Evaluation Board to any other party for any reason. Upon discontinuation of use of the Evaluation Board or termination of this Agreement, Customer agrees to promptly return the Evaluation Board to ADI. ADDITIONAL RESTRICTIONS. Customer may not disassemble, decompile or reverse engineer chips on the Evaluation Board. Customer shall inform ADI of any occurred damages or any modifications or alterations it makes to the Evaluation Board, including but not limited to soldering or any other activity that affects the material content of the Evaluation Board. Modifications to the Evaluation Board must comply with applicable law, including but not limited to the RoHS Directive. TERMINATION. ADI may terminate this Agreement at any time upon giving written notice to Customer. Customer agrees to return to ADI the Evaluation Board at that time. LIMITATION OF LIABILITY. THE EVALUATION BOARD PROVIDED HEREUNDER IS PROVIDED "AS IS" AND ADI MAKES NO WARRANTIES OR REPRESENTATIONS OF ANY KIND WITH RESPECT TO IT. ADI SPECIFICALLY DISCLAIMS ANY REPRESENTATIONS, ENDORSEMENTS, GUARANTEES, OR WARRANTIES, EXPRESS OR IMPLIED, RELATED TO THE EVALUATION BOARD INCLUDING, BUT NOT LIMITED TO, THE IMPLIED WARRANTY OF MERCHANTABILITY, TITLE, FITNESS FOR A PARTICULAR PURPOSE OR NON-INFRINGEMENT OF INTELLECTUAL PROPERTY RIGHTS. IN NO EVENT WILL ADI AND ITS LICENSORS BE LIABLE FOR ANY INCIDENTAL, SPECIAL, INDIRECT, OR CONSEQUENTIAL DAMAGES RESULTING FROM CUSTOMER'S POSSESSION OR USE OF THE EVALUATION BOARD, INCLUDING BUT NOT LIMITED TO LOST PROFITS, DELAY COSTS, LABOR COSTS OR LOSS OF GOODWILL. ADI'S TOTAL LIABILITY FROM ANY AND ALL CAUSES SHALL BE LIMITED TO THE AMOUNT OF ONE HUNDRED US DOLLARS (\$100.00). EXPORT. Customer agrees that it will not directly or indirectly export the Evaluation Board to another country, and that it will comply with all applicable United States federal laws and regulations relating to exports. GOVERNING LAW. This Agreement shall be governed by and construed in accordance with the substantive laws of the Commonwealth of Massachusetts (excluding conflict of law rules). Any legal action regarding this Agreement will be heard in the state or federal courts having jurisdiction in Suffolk County, Massachusetts, and Customer hereby submits to the personal jurisdiction and venue of such courts. The United Nations Convention on Contracts for the International Sale of Goods shall not apply to this Agreement and is expressly disclaimed.

©2018 Analog Devices, Inc. All rights reserved. Trademarks and registered trademarks are the property of their respective owners.  
UG16390-0-2/18(0)



www.analog.com