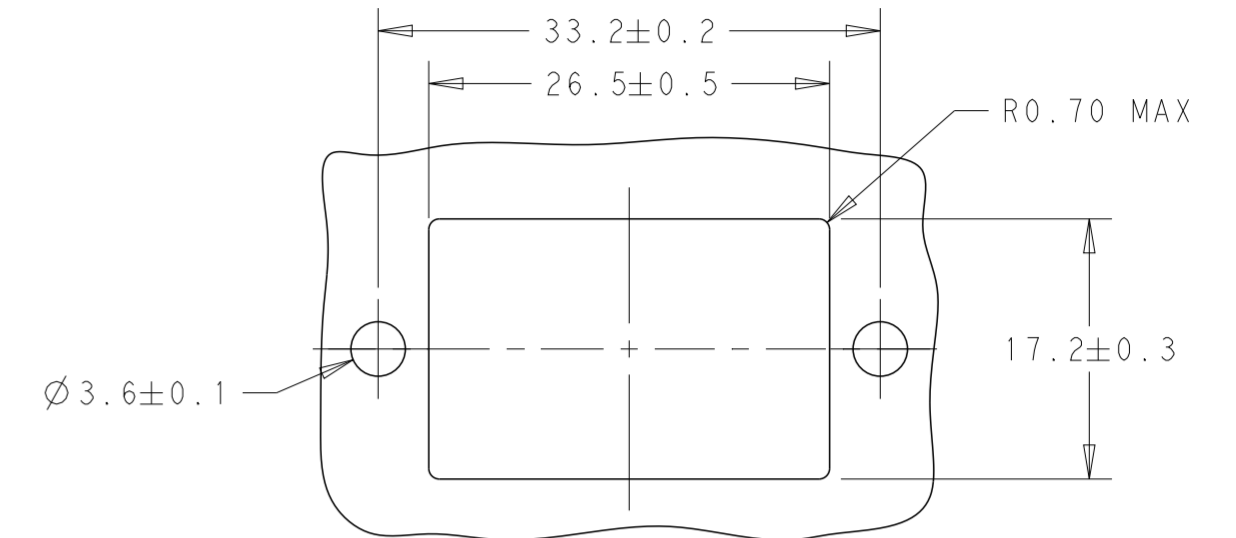
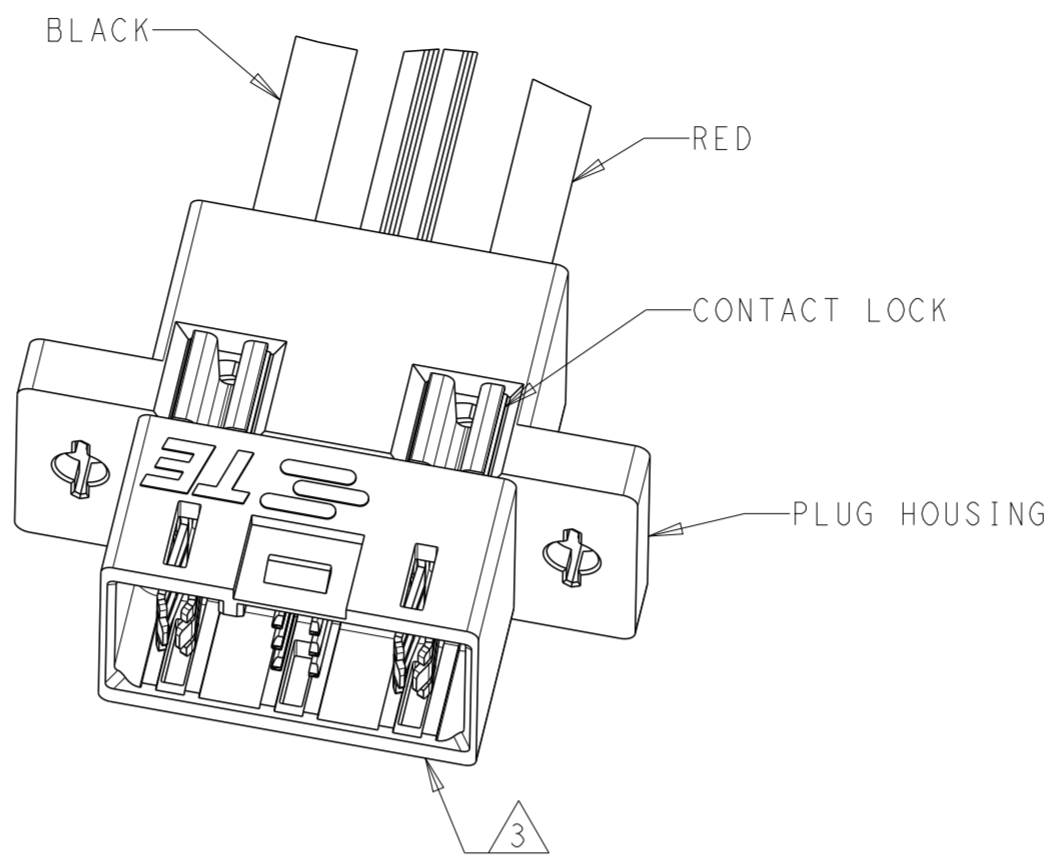
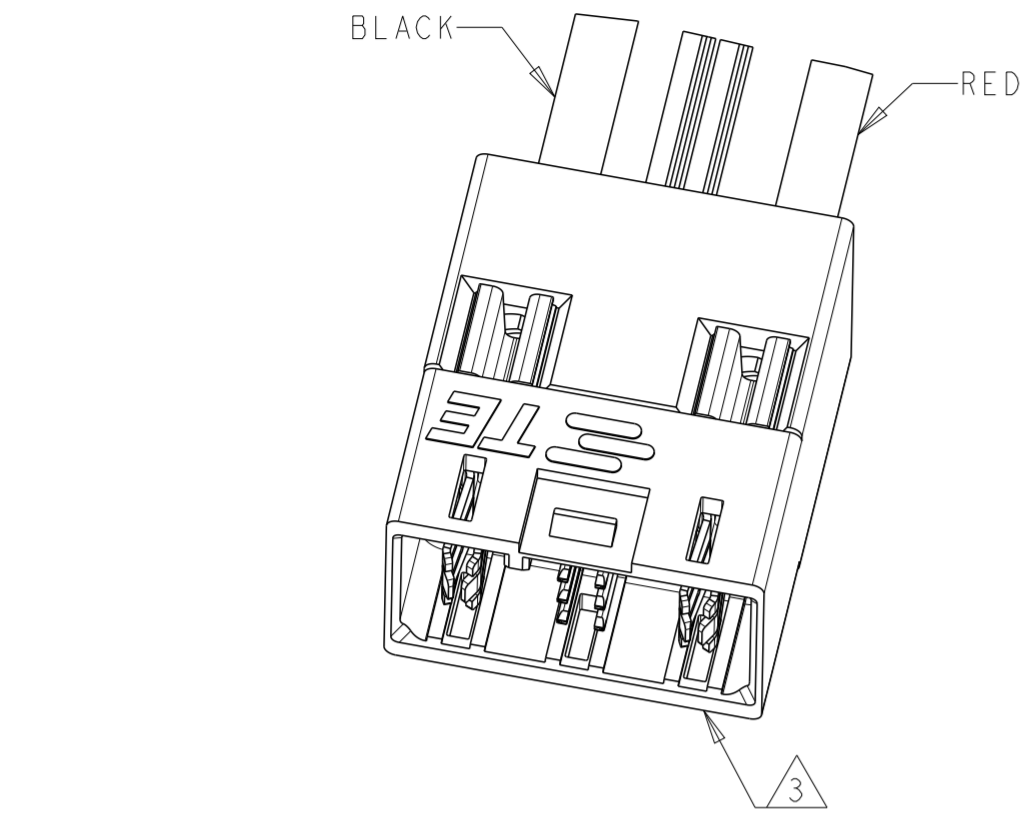
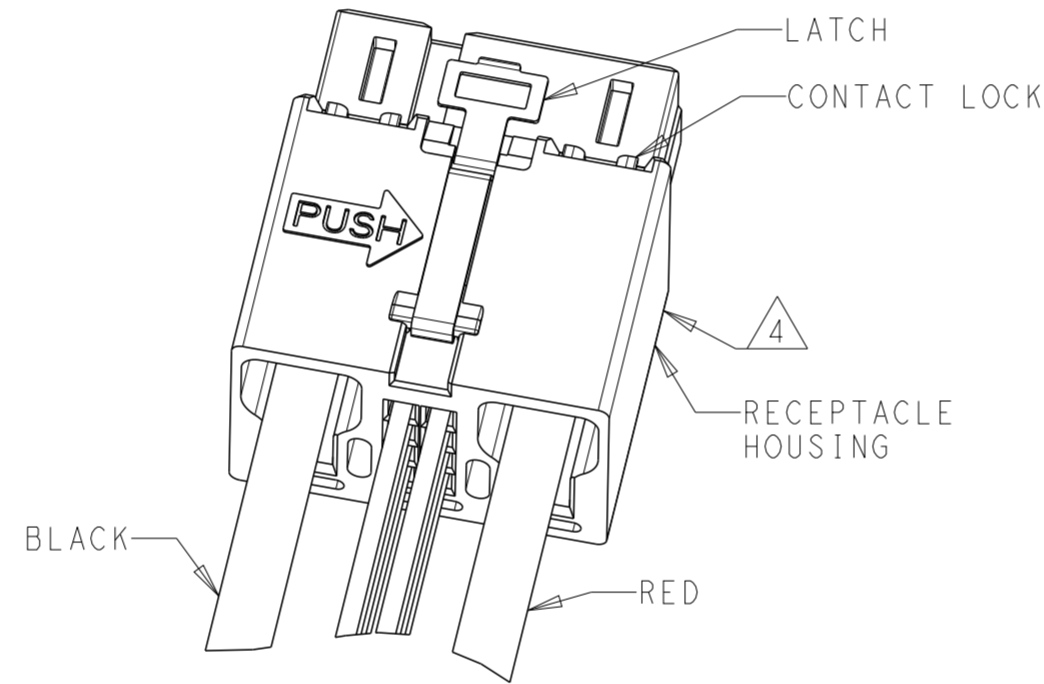
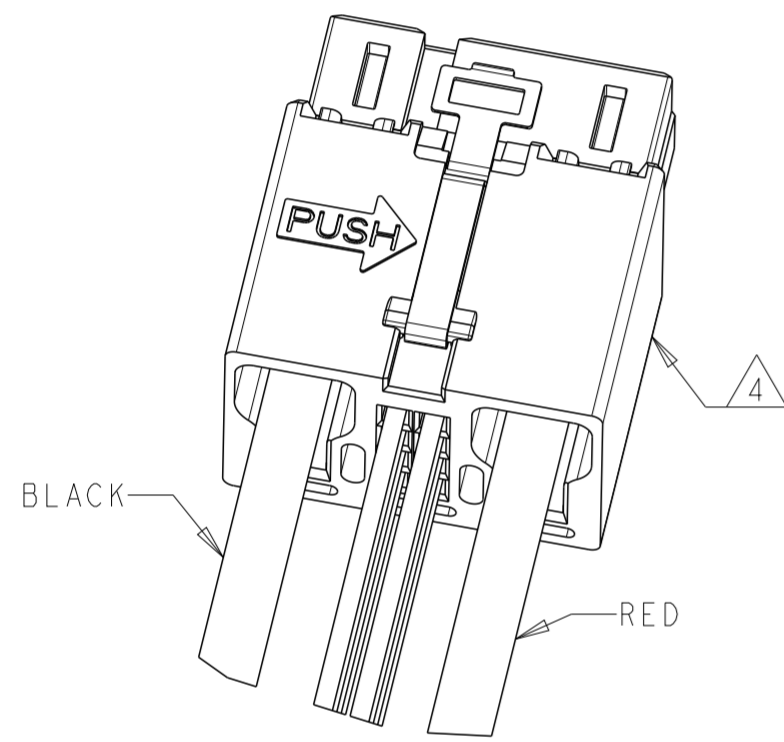


THIS DRAWING IS UNPUBLISHED. RELEASED FOR PUBLICATION 20.
 © COPYRIGHT 20 BY - ALL RIGHTS RESERVED.

REVISIONS				
P	LTR	DESCRIPTION	DATE	APVD
A		INITIAL RELEASE TO PRODUCTION	14SEP2021	-



RECOMMENDED PANEL LAYOUT
(2332798-5 THRU 2332798-8 ONLY)



- 1 MATERIAL: LATCH - STAINLESS STEEL
 CONTACTS - HIGH CONDUCTIVITY COPPER ALLOY
 HOUSINGS - THERMOPLASTIC, UL94 V-0
 MAIN HOUSINGS COLOR: ORANGE
 CONTACT LOCKS COLOR: WHITE
 POWER WIRE - STRANDED COPPER WITH SILICONE JACKET,
 RATED TO 200°C
 COLOR: RED OR BLACK AS SHOWN.
 SIGNAL WIRE - STRANDED COPPER, 24 AWG.
 COLOR: WHITE
- 2 CONTACT FINISH: NICKEL UNDERPLATE ALL OVER.
 NOBLE METAL PLATING ON CONTACT FUNCTIONAL AREA.
 TIN PLATING IN CRIMP AREA
- 3 REFERENCE PLUG CONNECTOR ASSEMBLY TE P/N 2332801
- 4 REFERENCE RECEPTACLE CONNECTOR ASSEMBLY TE P/N 2332800
- 5. KIT PACKAGED UNMATED IN PLASTIC BAG.
- 6 FEATURES DESIGNED TO RETAIN M3 THIN HEX NUT (DIN 439)
- 7 DIMENSIONS DO NOT APPLY TO 2332798-1 THROUGH 2332798-4

SCALE 2:1
2332798-1 THRU
2332798-4

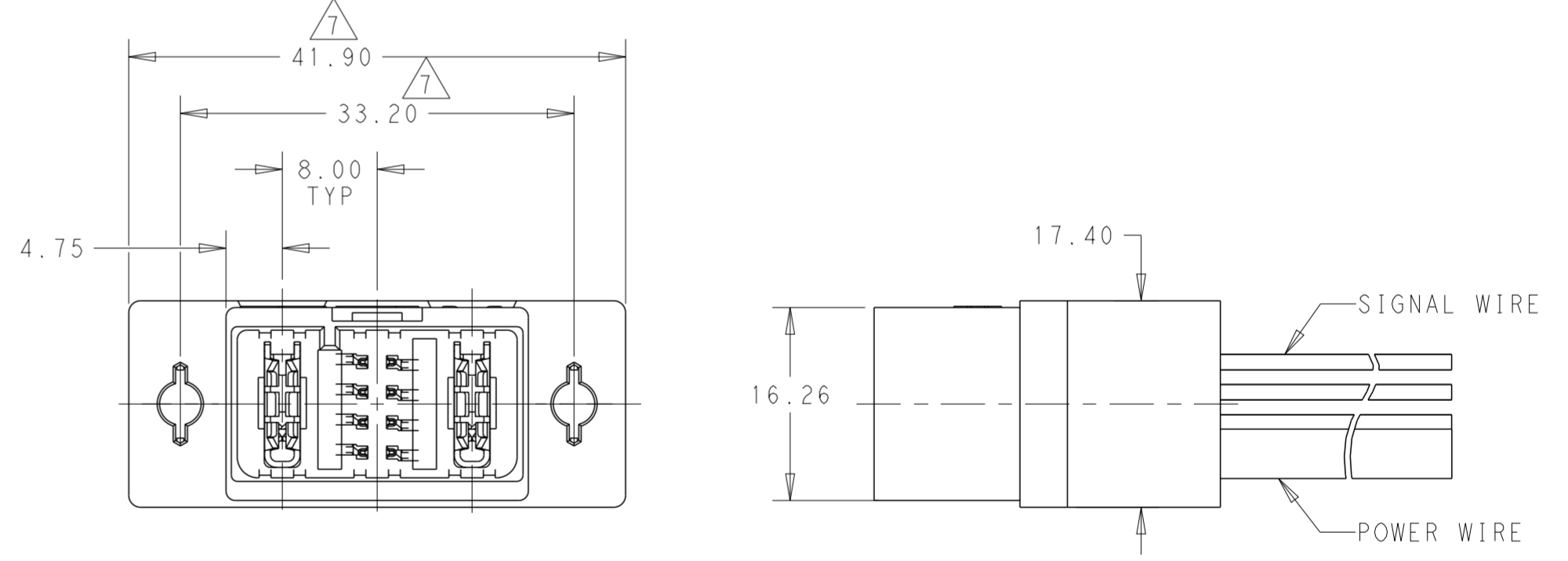
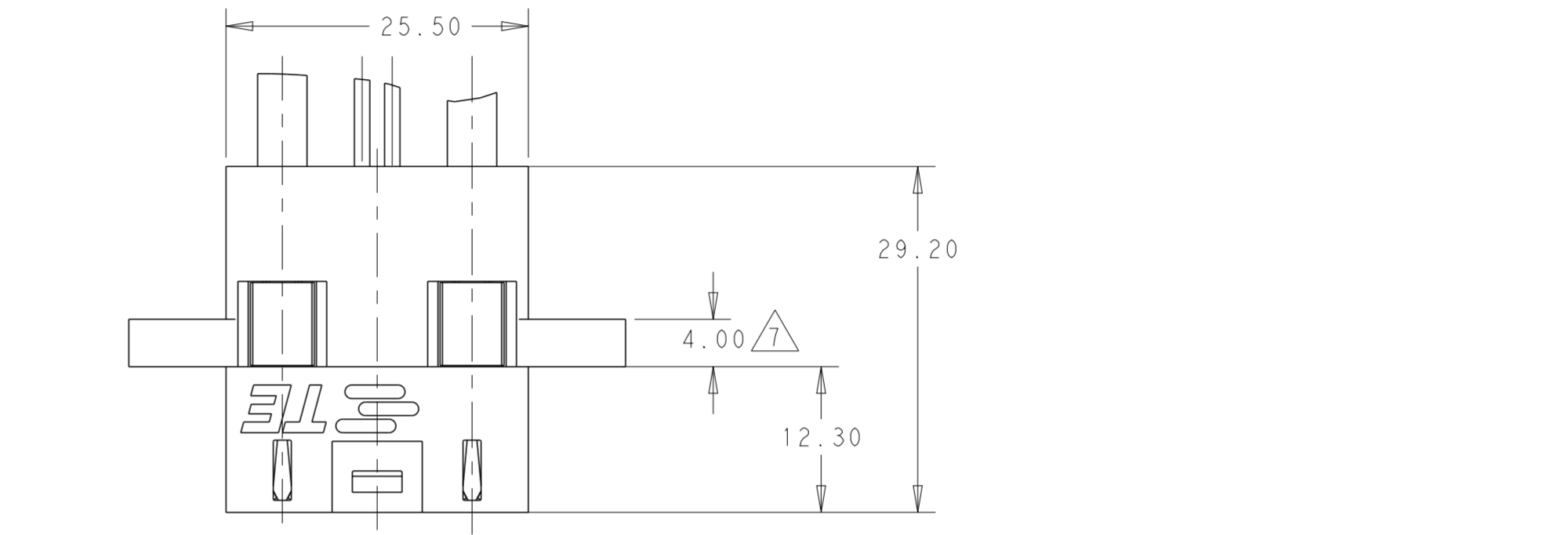
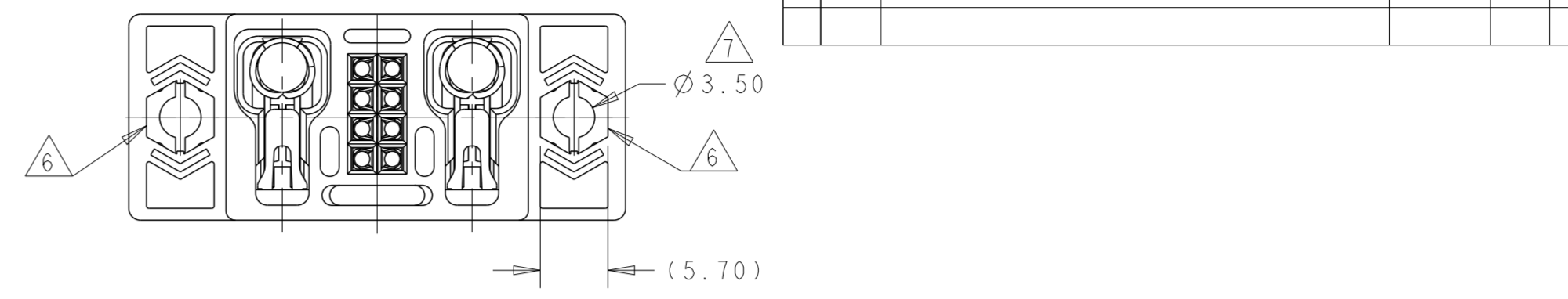
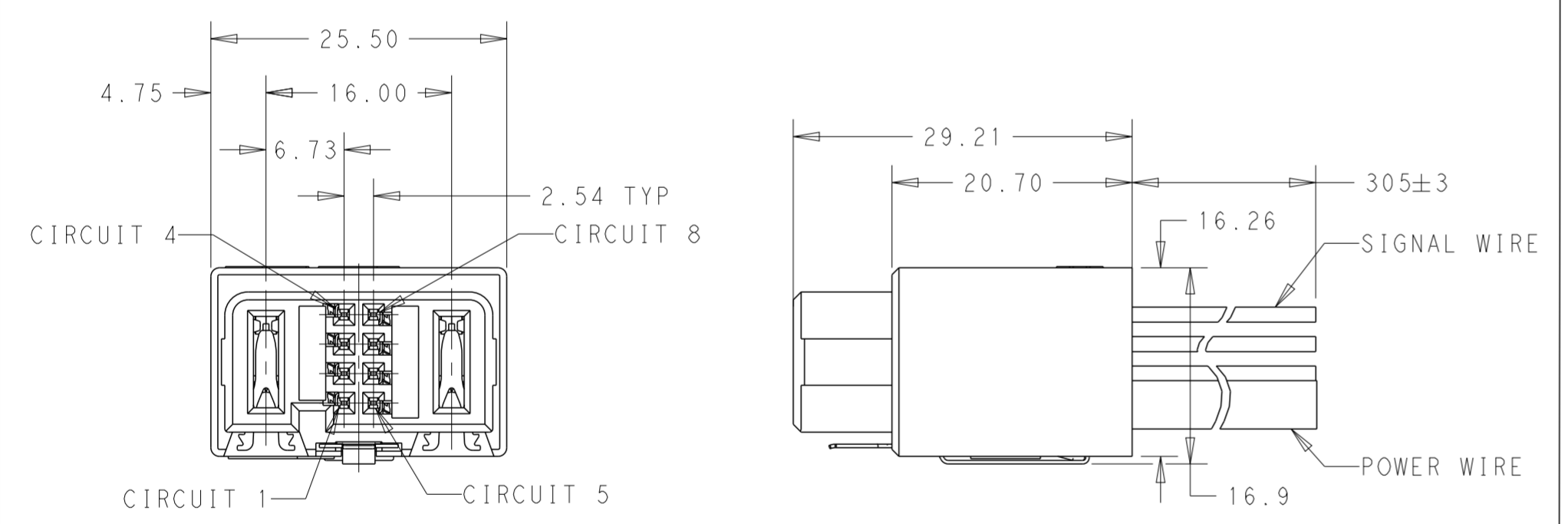
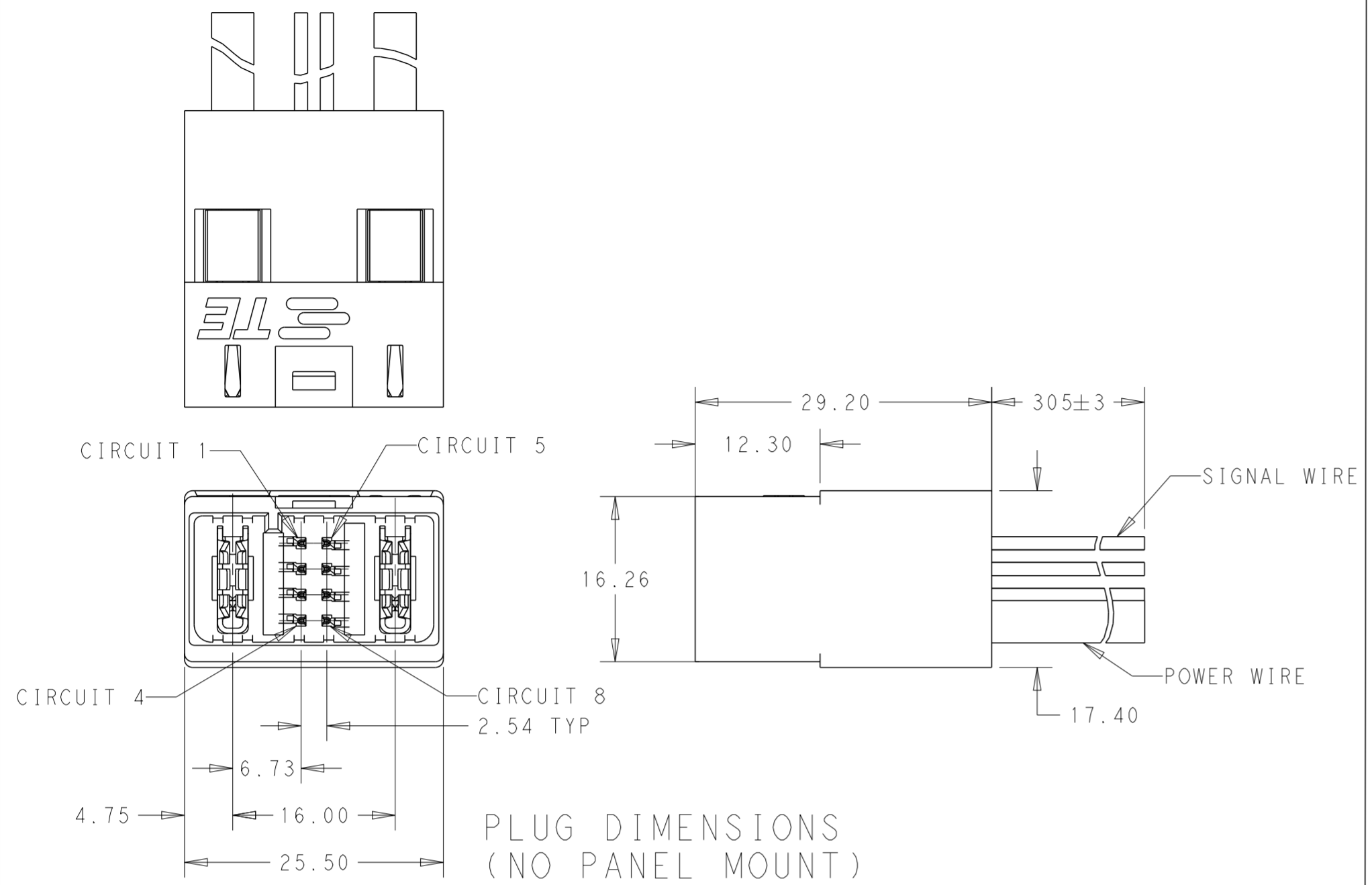
SCALE 2:1
PANEL MOUNT
2332798-5 THRU
2332798-8

8 AWG	YES	2332798-8
10 AWG	YES	2332798-7
12 AWG	YES	2332798-6
14 AWG	YES	2332798-5
8 AWG	NO	2332798-4
10 AWG	NO	2332798-3
12 AWG	NO	2332798-2
14 AWG	NO	2332798-1
POWER WIRE SIZE	PANEL MOUNT	PART NO.


THIS DRAWING IS A CONTROLLED DOCUMENT.		DWN K. MILLER 11OCT2018	TE Connectivity	
		CHK N. RUFFINI 11OCT2018		
DIMENSIONS: mm		TOLERANCES UNLESS OTHERWISE SPECIFIED:		NAME UMP, PLUG AND RECEPTACLE, WITH SIGNAL, CONNECTOR KIT/ASSY, WIRE TO WIRE WITH PIGTAILS
		0 PLC ±	1 PLC ±0.25	PRODUCT SPEC 108-163021
		2 PLC ±0.13	3 PLC ±	APPLICATION SPEC 114-163021
		4 PLC ±	ANGLES ±2°0'	SIZE A200779
MATERIAL		FINISH		CAGE CODE C-2332798
1		2		DRAWING NO C-2332798
CUSTOMER DRAWING		SCALE 2:1		RESTRICTED TO -
		SHEET 1 OF 2		REV A

THIS DRAWING IS UNPUBLISHED. RELEASED FOR PUBLICATION 20
 © COPYRIGHT 20 BY - ALL RIGHTS RESERVED.

REVISIONS				
P	LTR	DESCRIPTION	DATE	APVD
-	-	SEE SHEET 1	-	-



PLUG DIMENSIONS
(WITH PANEL MOUNT)

THIS DRAWING IS A CONTROLLED DOCUMENT.		DWN K. MILLER 11OCT2018	 TE Connectivity
		CHK N. RUFFINI 11OCT2018	
DIMENSIONS:	TOLERANCES UNLESS OTHERWISE SPECIFIED:	APVD -	NAME UMP, PLUG AND RECEPTACLE, WITH SIGNAL, CONNECTOR KIT/ASSY, WIRE TO WIRE WITH PIGTAILS
mm	0 PLC ± 1 PLC ±0.25 2 PLC ±0.13 3 PLC ± 4 PLC ±	PRODUCT SPEC 108-163021	SIZE 114-163021
	ANGLES ±2°	APPLICATION SPEC 114-163021	CAGE CODE A200779
MATERIAL	FINISH	WEIGHT	DRAWING NO C-2332798
		CUSTOMER DRAWING	RESTRICTED TO -
		SCALE 2:1	SHEET 2 OF 2
			REV A