

MATERIALS & SPECIFICATIONS

| | | | | | |
|----------|------------|-----|--------|----------|-----|
| PART NO. | A22030-001 | REV | ECO | DATE | APP |
| | | E | 100733 | 07-19-14 | TLM |

INSULATOR:
LIQUID CRYSTAL POLYMER (LCP) PER ASTM D5138.

CONTACT:
COPPER ALLOY PER MIL-DTL-83513. GOLD PLATE PER ASTM B488,
(HARD GOLD) TYPE II CODE C, CLASS 1.27.

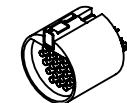
TERMINATION:
COPPER ALLOY PER MIL-DTL-83513 GOLD PLATED PER ASTM B488,
(HARD GOLD) TYPE II CODE C CLASS 1.27.

LATCH BOX:
BERYLLIUM COPPER PER ASTM B194 NICKEL PLATE PER SAE-AMS-2404.

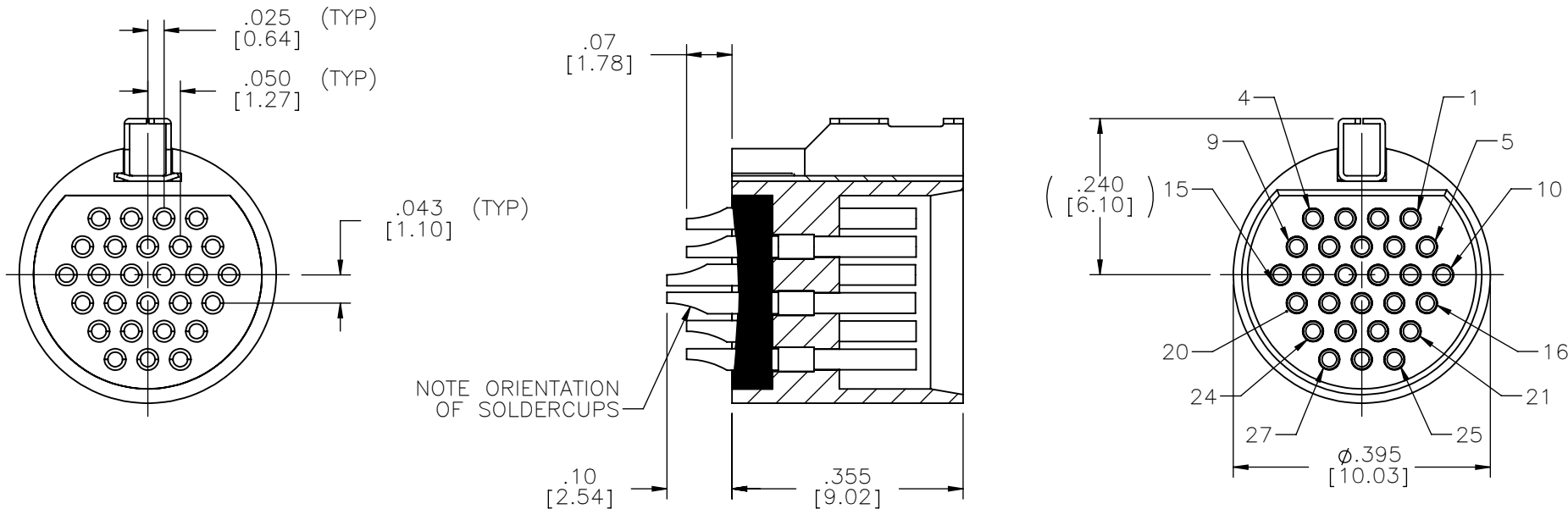
CURRENT CAPACITY:
3 AMP MAX.

CONTACT RESISTANCE:
26 MILLIOHMS (65mV) MAX @ 2.5 AMPS.

PERFORMANCE:
PRODUCT FAMILY TESTED TO AND PASSED THE PERFORMANCE
SPECIFICATIONS OF TABLE VII OF MIL-DTL-83513.



ACTUAL SIZE



RoHS

| | |
|------|------------------------|
| MCS | THIRD ANGLE |
| | -TOLERANCES- |
| SLOW | UNLESS OTHERWISE NOTED |
| | DIMENSIONS IN INCHES |
| MCS | 2 PL DEC ± .01 |
| | 3 PL DEC ± .005 |
| | 4 PL DEC ± .0005 |
| | ANGLES ± 1° |

| | |
|--|---------------|
| THIS DRAWING CONTAINS CONFIDENTIAL AND PROPRIETARY INFORMATION WHICH IS THE PROPERTY OF OMNETICS CONNECTOR CORP. THIS DOCUMENT MAY NOT, IN WHOLE OR IN PART, BE DUPLICATED, OR DISCLOSED FOR ANY PURPOSE, WITHOUT WRITTEN PERMISSION FROM OMNETICS CONNECTOR CORP. | |
| DFTM. TEP | DATE 10-24-07 |
| CHK'D. | DATE |
| APP'D. | DATE |
| TITLE: (27) SOCKET FEMALE MICRO CIRCULAR CONNECTOR W/ LATCH | |

OMNETICS
CONNECTOR CORPORATION
7260 COMMERCE CIRCLE EAST
MINNEAPOLIS, MN 55432
WWW.OMNETICS.COM

| | |
|--------------------|-------|
| CAGE CODE 61873 | |
| DWG NO. A22030-001 | |
| SHEET 1 OF 1 | REV E |
| SCALE: 4:1 | |