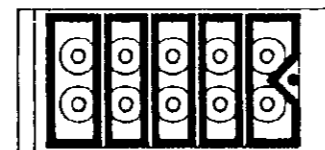
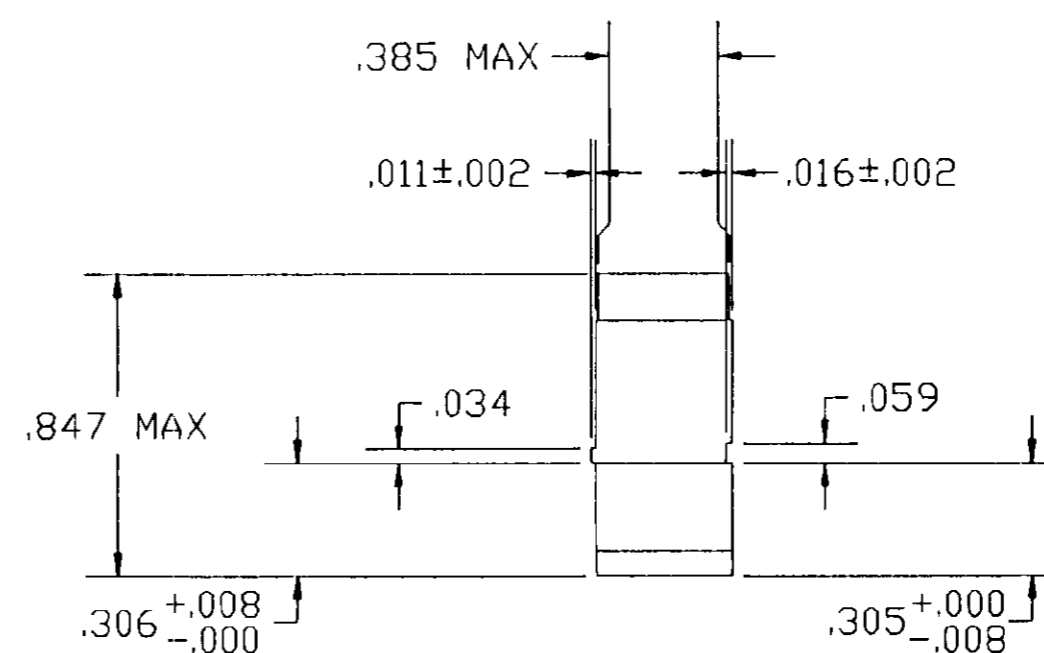
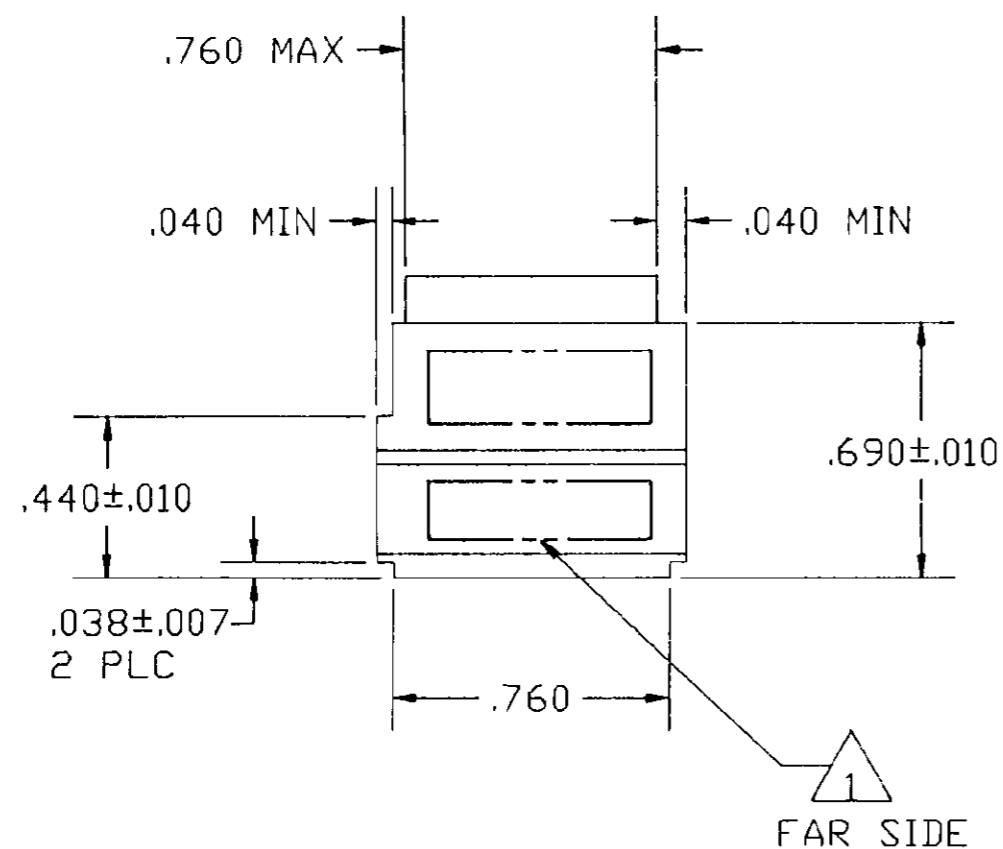
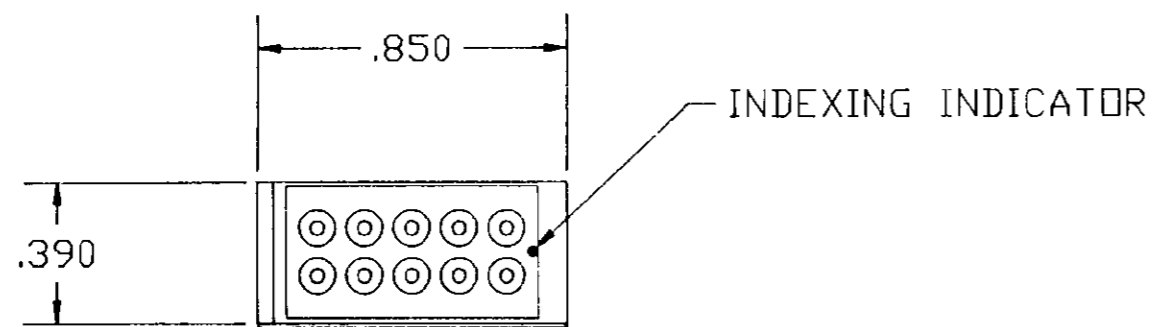


THIS DRAWING IS UNPUBLISHED. RELEASED FOR PUBLICATION, 19
 © COPYRIGHT 19 BY AMP INCORPORATED. ALL INTERNATIONAL RIGHTS RESERVED

| REVISIONS | | | | | | |
|-----------|---|------|-----|------------------------|-------|----------|
| P | F | ZONE | LTR | DESCRIPTION | DATE | APPROVED |
| | | | D | RELEASE OF NEW PRODUCT | 03/93 | J.L.M. |
| | | | A | REV PER 0600-0910-93 | 08/93 | N.G.F. |
| ✓ | ✓ | | B | REV PER 0600-1279-93 | 10/93 | N.G.F. |



592861-1

BUSSING ARRANGEMENTS 2

| DESCRIPTION | MATERIAL | FINISH |
|-----------------|---|----------------------------|
| MODULE ASSEMBLY | D.A.P. PER MIL-M14 TYPE SDG-F | COLOR: GREEN |
| GROMMET | FLUORSILICONE RUBBER 70/30 BLEND | COLOR: GREEN |
| CONTACT SOCKET | BERYLLIUM COPPER PER QQ-C-533 | GOLD PLATE PER MIL-G-45204 |
| RETAINING CLIP | BERYLLIUM COPPER PER QQ-C-533 OR STAINLESS STEEL PER QQ-S-766 | NONE |
| CONTACTS | COPPER ALLOY PER MIL-C-39029/1 | GOLD PLATE PER MIL-G-45204 |
| SEALING PLUGS | F.E.P. PER MIL-P-19468 | COLOR: RED |

592861

B

| | | | | | |
|--|--|--|------------------|---|--|
| DO NOT SCALE PRINT. UNLESS OTHERWISE SPECIFIED DIMENSIONS ARE IN INCHES. TOLERANCES ON: 2 PLC DEC ± --- 3 PLC DEC ± .005 ANGLES ± --- | | CONTRACT NO DR N. FRITZ 03-10-93 CHK R. RYAN 07-27-93 APPD R. RYAN 07-27-93 APPD D. ENGLER 07-27-93 DSGN APPD OTHER APPD | | PART NO AMP AMP INCORPORATED Harrisburg, Pa. 17105 | |
| MATERIAL _____ FINISH _____ | | NAME MODULE, FEED-BACK SIZE 20 ASSEMBLY TJ | | | |
| | | SIZE C | FSCM NO 00779 | DRAWING NO 592861 | |
| | | SCALE 2 : 1 | | SHEET 1 OF 1 | |

A

3. AMP PART NO. 592861-1 WAS FORMERLY MATRIX SCIENCE PART NO. MRTB20E09-225.

2 BUSSING ARRANGEMENT OUTLINE DENOTES INTERNAL ARRANGEMENT OF CONTACT SOCKETS.

1 MARK MODULE ASSEMBLY WITH "AMP", AMP PART NO. AND DATE CODE .060 MINIMUM HIGH CHARACTERS AT APPROXIMATE AREA SHOWN.

THIS DRAWING IS A CONTROLLED DOCUMENT FOR AMP INCORPORATED. IT IS SUBJECT TO CHANGE AND THE CONTROLLING ENGINEERING ORGANIZATION SHOULD BE CONTACTED FOR THE LATEST REVISION.