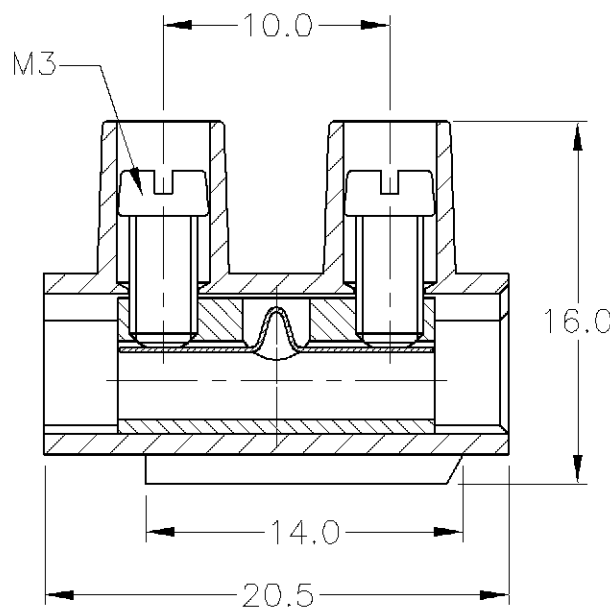
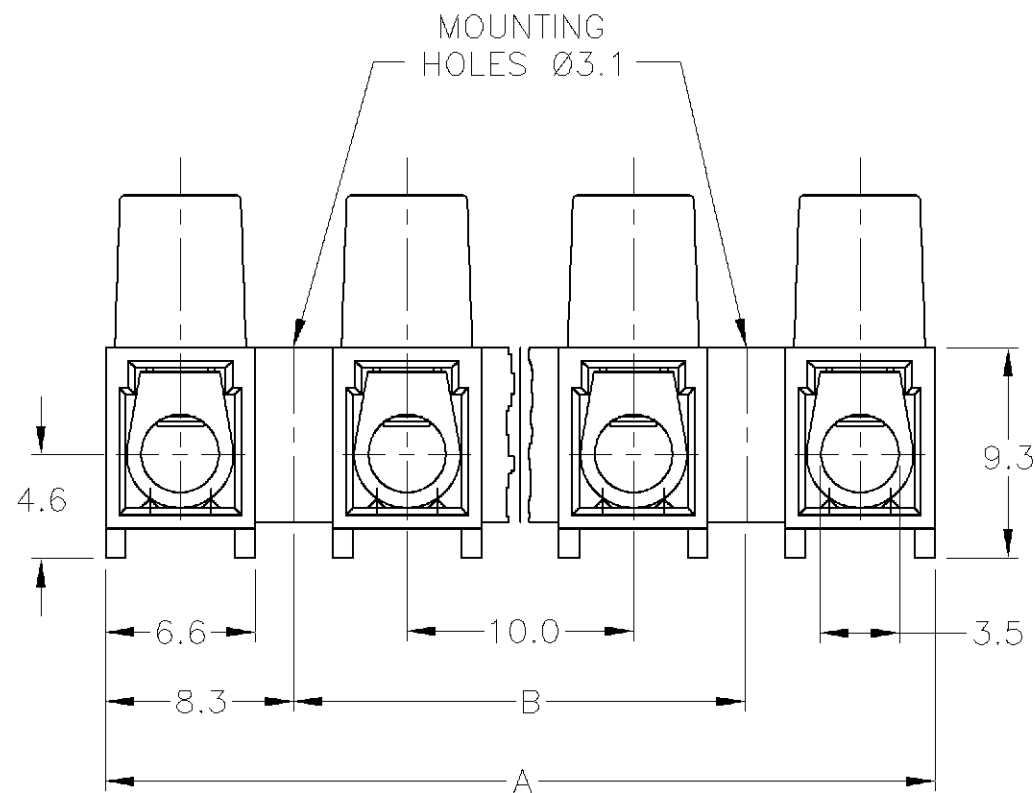


THIS DRAWING IS UNPUBLISHED. RELEASED FOR PUBLICATION
 © COPYRIGHT BY TYCO ELECTRONICS CORPORATION. ALL RIGHTS RESERVED.

LOC	DIST	REVISIONS			
P	LTR	DESCRIPTION	DATE	DWN	APVD
FT	0	A	REVISED PER 0G3B-0043-02	23JAN02	EZ DB

NOTE

- MATERIAL
HOUSING - POLYIMIDE 6 UL94V-2
COLOR - NATURAL(OFF WHITE)
- CURRENT RATING: 30A, 250V
10-22 AWG



SIZE	DIM B	DIM A	T & B PART NUMBER	TYCO PART NUMBER
100	116.6	TSB500 1231DS	2-1437388-4	
90	106.6	TSB500 1131DS	796613-2	
80	96.6	TSB500 1031DS	2-1437388-2	
70	86.6	TSB500 0931DS	2-1437388-0	
60	76.6	TSB500 0831DS	1-1437388-8	
50	66.6	TSB500 0731DS	1-1437388-6	
40	56.6	TSB500 0631DS	1-1437388-5	
30	46.6	TSB500 0531DS	1-1437388-2	
20	36.6	TSB500 0431DS	1-1437388-1	
10	26.6	TSB500 0331DS	1437388-9	
-	16.6	TSB500 0213DS	1437388-7	
-	6.6	TSB500 0131DS	796613-1	
DIM B	DIM A	T & B PART NUMBER	TYCO PART NUMBER	

THIS DRAWING IS A CONTROLLED DOCUMENT.		DWN E. ZANOLINI 25JAN2002	Tyco Electronics Corporation Harrisburg, PA 17105-3608 NOT THE LATEST REVISION					
DIMENSIONS: MM		CHK E. ZANOLINI 23JAN02				NAME	SIZE	CAGE CODE
TOLERANCES UNLESS OTHERWISE SPECIFIED:		APVD D. BIEVENOUR 23JAN02				EUROPA TERMINAL BLOCK W/WIRE PROTECTOR	DRAWING NO	RESTRICTED TO
0 PLC ± - 1 PLC ± .3 2 PLC ± .25 3 PLC ± - 4 PLC ± - ANGLES ± 2		PRODUCT SPEC				MOUNTING HOLES Ø 3.1, 10mm PITCH		
MATERIAL		APPLICATION SPEC	WEIGHT	A3	00779			
FINISH		CUSTOMER DRAWING	SCALE	1:1	SHEET 1 OF 1			
			REV	A				