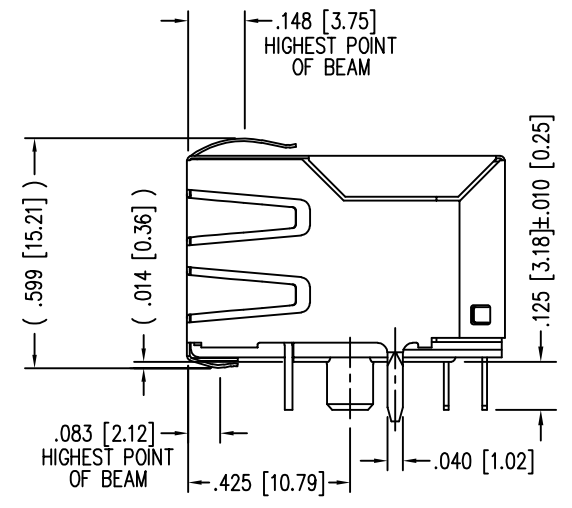
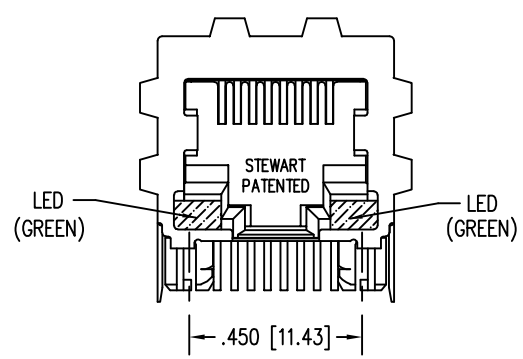
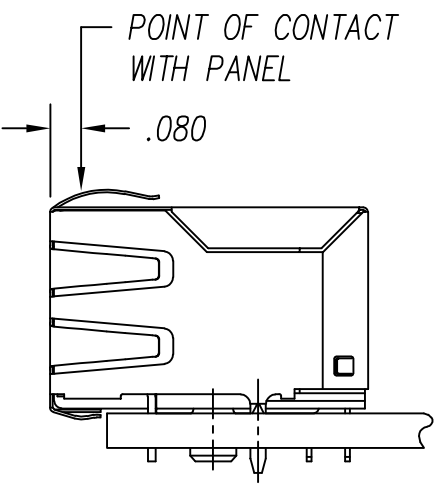
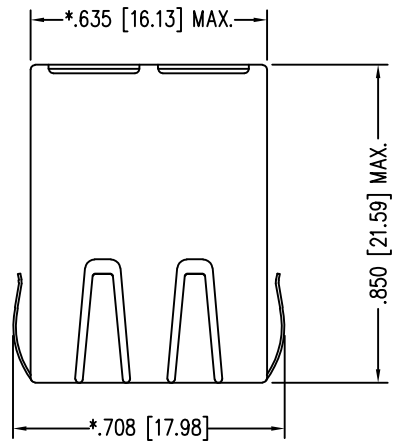
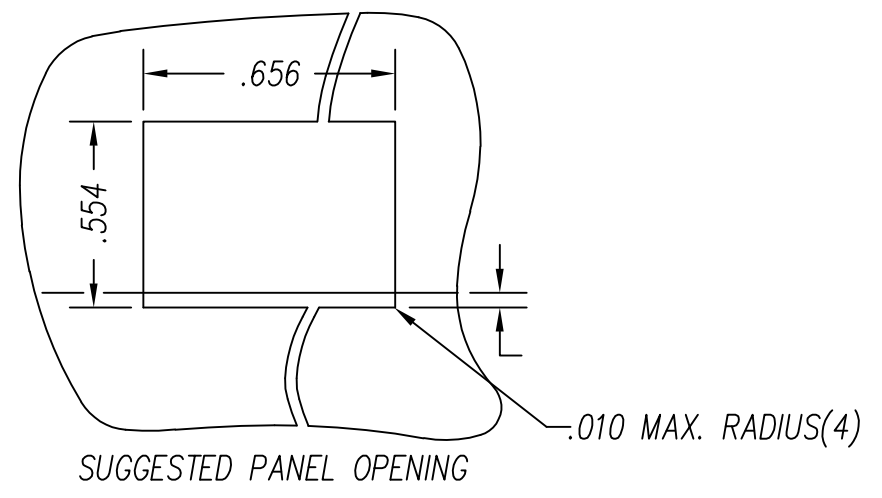


| DATE | REV | ECN | APP'D. BY |
|---------|-----|-------|-----------|
| 2-27-17 | A6 | 10921 | TRM |
| 4-4-17 | A7 | 10970 | TRM |
| | | | |
| | | | |



- NOTES:
- CONNECTOR MATERIALS:
HOUSING: THERMOPLASTIC UL94 V-0
CONTACTS/SHIELD: COPPER ALLOY
SHIELD PLATING: NICKEL OR TIN
CONTACT PLATING: SELECTIVE GOLD IN CONTACT AREA
SEE CHART FOR PART NUMBER
 - FOR PRODUCT SPECIFICATIONS SEE PR022-01.
 - DIMENSIONS AND TOLERANCES COMPLY WITH TIA-1096 STANDARD.
 - THE SUGGESTED PANEL OPENING IS INTENDED TO GIVE USER THE ABILITY TO HAVE REASONABLE JACK/PANEL CLEARANCES, YET MAINTAIN GROUNDING CAPABILITY. THESE VARIABLES CAN BE ADJUSTED IN EITHER DIRECTION BUT MAY CARRY SOME CONSEQUENCES IN THE FORM OF LOWER MATING FORCES OR TIGHTER ASSEMBLY TOLERANCES.



| | |
|--------------------------------|--------------------|
| 30 MICRO-INCHES [0.76um] | SS-7488S-GG-PG4-BA |
| CONTACT PLATING IN MATING AREA | PART NUMBER |

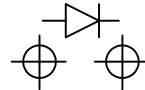


| | |
|--|---|
| THIRD ANGLE PROJECTION |  11118 Susquehanna Trail South Glen Rock, PA 17327-9199 (717) 235-7512 http://www.stewartconnector.com |
| DO NOT SCALE DRAWING DRAWING IS SUBJECT TO CHANGE WITHOUT NOTICE | |
| DIMENSIONS: INCHES [METRIC] | TITLE: EMI-RFI ONE PIECE SHIELDED, ESD GROUNDED SINGLE PORT LED JACK |
| UNLESS OTHERWISE SPECIFIED TOLERANCES ARE ±.005 [0.13] ANGLES ARE ± 1° | DRN BY: KRL DATE 2/3/06 |
| SHEET NO. 1 OF 2 | APPD BY: JM DATE 2-9-06 |
| | DWG NO. CT740053 REV. A7 |

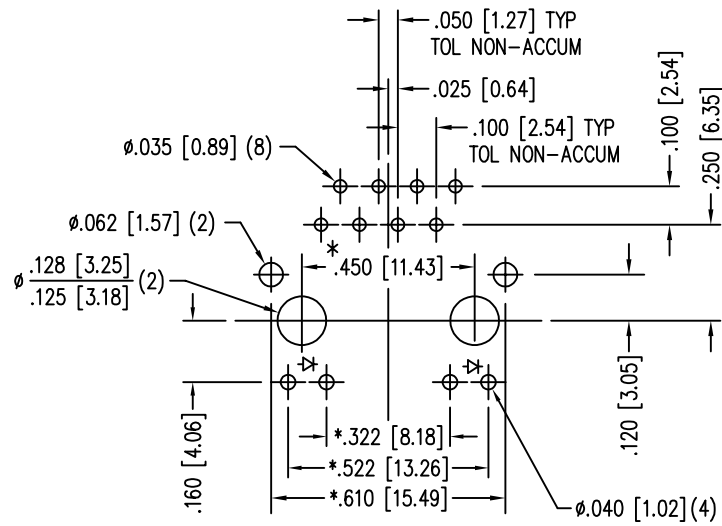
| LED SPECIFICATIONS | | | | | | |
|--------------------|-------------------------|-------------------------|-------------------|------------|---------------------------|-------|
| STANDARD LED | * FORWARD VOLTAGE (MAX) | * FORWARD VOLTAGE (TYP) | POWER DISSIPATION | WAVELENGTH | LUMINOUS INTENSITY @ 10mA | |
| | | | | | MIN | MAX |
| GREEN DIFFUSED | 2.6 V | 2.25 V | 105 mW | 555 nm | 2 MCD | 8 MCD |

* WITH A FORWARD CURRENT OF 20 mA

LED POLARITY
(ENLARGED VIEW)



SINGLE COLOR LED



P.C.B. RECOMMENDED HOLE LAYOUT
SEEN FROM COMPONENT SIDE
TOLERANCE ±.003 [0.08] UNLESS OTHERWISE SPECIFIED



| | | |
|---|--|---|
| <p>THIRD ANGLE PROJECTION</p> | <p>stewart CONNECTOR a bel group</p> | 1118 Susquehanna Trail South Glen Rock, PA 17327-9199 (717) 235-7512 http://www.stewartconnector.com |
| DO NOT SCALE DRAWING DRAWING IS SUBJECT TO CHANGE WITHOUT NOTICE | TITLE: EMI-RFI ONE PIECE SHIELDED, ESD GROUNDED SINGLE PORT LED JACK | |
| DIMENSIONS: INCHES [METRIC] UNLESS OTHERWISE SPECIFIED TOLERANCES ARE ±.005 [0.13] ANGLES ARE ± 1° | THIS DRAWING AND THE SUBJECT MATTER SHOWN THEREON ARE CONFIDENTIAL AND THE PROPRIETARY PROPERTY OF STEWART CONNECTOR AND SHALL NOT BE REPRODUCED, COPIED, OR USED IN ANY MANNER WITHOUT PRIOR WRITTEN CONSENT OF STEWART CONNECTOR. ONE OR MORE U.S. PATENTS MAY APPLY TO THIS PRODUCT. FOR DETAILS, PLEASE VISIT: HTTP://BELFUSE.COM/STEWART/STEWART_PATENTS/ | DRN BY: KRL APPD BY: JM DWG NO. CT740053 |
| SHEET NO. 2 OF 2 | DATE 2/3/06 DATE 2-9-06 REV. A7 | |

B

B

A

A