

368269-1 ✓ ACTIVE

Multilock Connector System

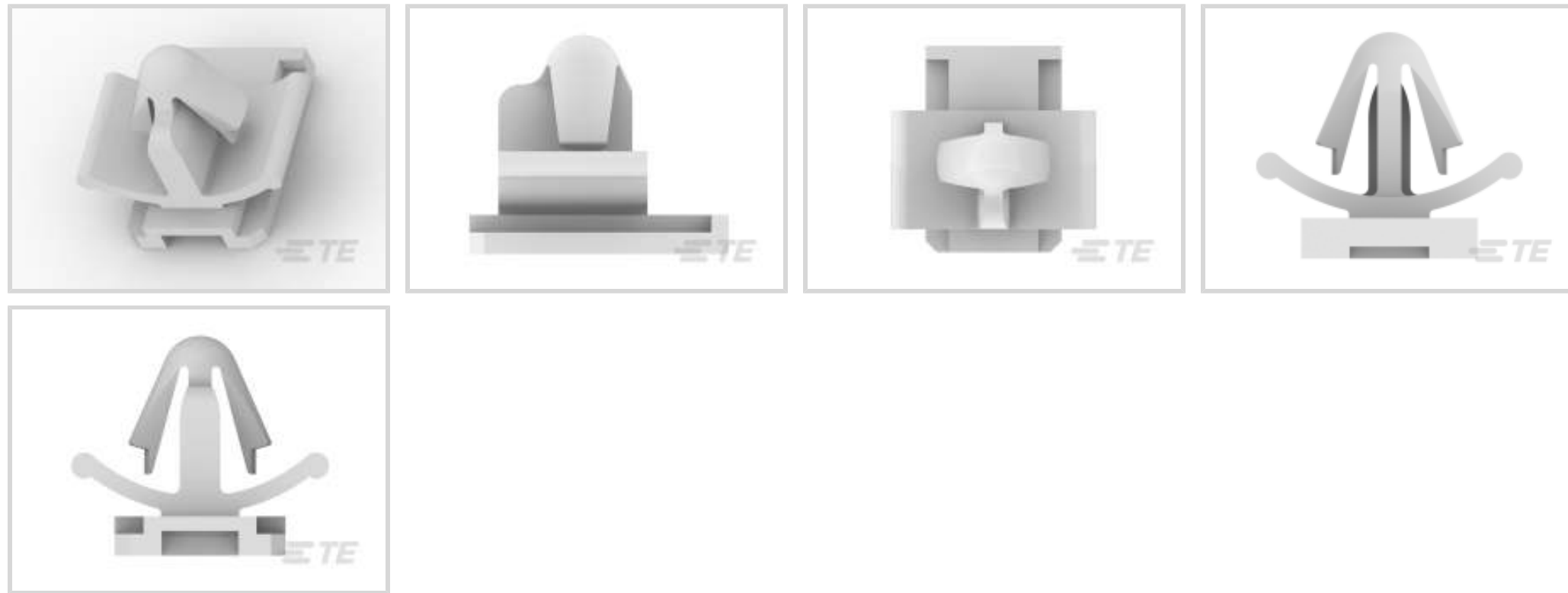
TE Internal #: 368269-1

Other Automotive Connector Accessories, Mounting Clip, PA,
Natural, -40 – 120 °C [-40 – 248 °F], Multilock Connector System

[View on TE.com >](#)



Connectors > Automotive Connectors > Automotive Connector Accessories > Other Automotive Connector Accessories



Automotive Connector Accessory Type: **Mounting Clip**

Primary Product Material: **PA**

Primary Product Color: **Natural**

Operating Temperature Range: **-40 – 120 °C [-40 – 248 °F]**

Features

Product Type Features

Automotive Connector Accessory Type	Mounting Clip
-------------------------------------	---------------

Body Features

Primary Product Material	PA
Primary Product Color	Natural

Usage Conditions

Operating Temperature Range	-40 – 120 °C[-40 – 248 °F]
-----------------------------	----------------------------

Industry Standards

UL Flammability Rating	UL 94HB
------------------------	---------

Packaging Features

Packaging Quantity	1000
Packaging Method	Bag

Other

Serviceable	Yes
-------------	-----

Product Compliance



[For compliance documentation, visit the product page on TE.com>](#)

EU RoHS Directive 2011/65/EU	Compliant
EU ELV Directive 2000/53/EC	Compliant
China RoHS 2 Directive MIIT Order No 32, 2016	No Restricted Materials Above Threshold
EU REACH Regulation (EC) No. 1907/2006	Current ECHA Candidate List: JUNE 2023 (235) Candidate List Declared Against: JAN 2023 (233) Does not contain REACH SVHC
Halogen Content	Low Halogen - Br, Cl, F, I < 900 ppm per homogenous material. Also BFR/CFR/PVC Free
Solder Process Capability	Not applicable for solder process capability

Product Compliance Disclaimer

This information is provided based on reasonable inquiry of our suppliers and represents our current actual knowledge based on the information they provided. This information is subject to change. The part numbers that TE has identified as EU RoHS compliant have a maximum concentration of 0.1% by weight in homogenous materials for lead, hexavalent chromium, mercury, PBB, PBDE, DBP, BBP, DEHP, DIBP, and 0.01% for cadmium, or qualify for an exemption to these limits as defined in the Annexes of Directive 2011/65/EU (RoHS2). Finished electrical and electronic equipment products will be CE marked as required by Directive 2011/65/EU. Components may not be CE marked. Additionally, the part numbers that TE has identified as EU ELV compliant have a maximum concentration of 0.1% by weight in homogenous materials for lead, hexavalent chromium, and mercury, and 0.01% for cadmium, or qualify for an exemption to these limits as defined in the Annexes of Directive 2000/53/EC (ELV). Regarding the REACH Regulation, the information TE provides on SVHC in articles for this part number is based on the latest European Chemicals Agency (ECHA) 'Guidance on requirements for substances in articles' posted at this URL: <https://echa.europa.eu/guidance-documents/guidance-on-reach>

Compatible Parts



TE Part # CAT-M8793-CH8172
MQS, CONNECTOR HOUSING



TE Part # CAT-M9194-CH8172
MULTILOCK, CONNECTOR HOUSING



TE Part # 2297911-1
12 WAY IN-LINE TAB PLUG ASSY



TE Part # 2304887-1
16POS, HYBRID, TAB HSG ASSY, SLD, COD 1



TE Part # 1-936586-2
TPMS 3P PLUG ASSY



TE Part # 936586-2
TPMS 3P PLUG ASSY

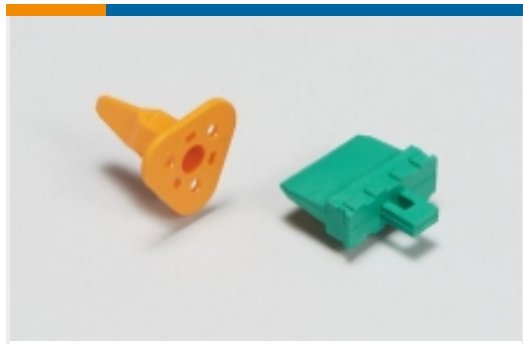
Also in the Series | Multilock Connector System



Automotive Connector Caps & Covers (17)



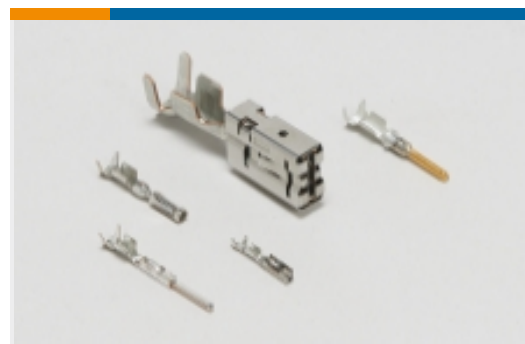
Automotive Connector EMC Shielding (1)



Automotive Connector Locks & Position Assurance(2)



Automotive Housings(603)



Automotive Terminals(141)



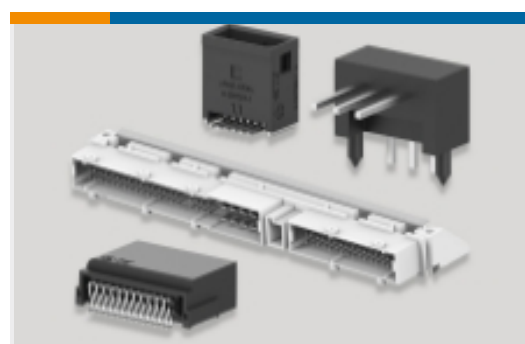
Connector Seals & Cavity Plugs(2)



Insertion & Extraction Tools(6)



Other Automotive Connector Accessories(14)

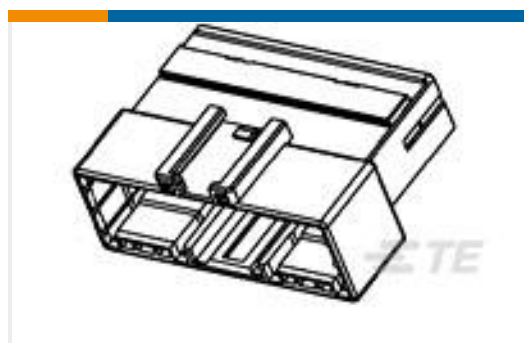


PCB Headers & Receptacles(142)

Customers Also Bought



TE Part #936293-2
MCP-E SLD 4P CAP ASSY BLK



TE Part #936207-1
090III 12P CAP ASSY



TE Part #176146-2
187 PLUG HSG 2P BLACK



TE Part #964314-1
TAB A 5.8x0.8 CONTACT CF SWS Sn



TE Part #175088-1
.187 SEALD TAB CONT L



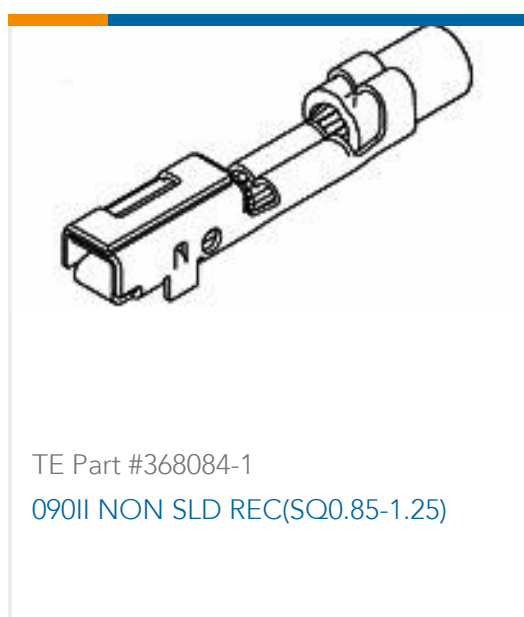
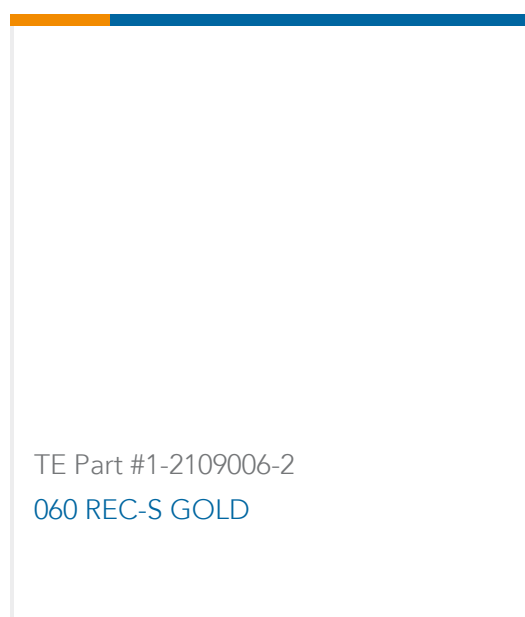
TE Part #368260-1
CLIP HSG FOR 090 II MLC



TE Part #1-2203773-1
4POS, MCON 1.2 CB REC 1p TL SEALED



TE Part #1-2209521-1
46POS. COVER ASSY



Documents

Product Drawings

[CLIP FOR 090 II MLC\(KEY HOLE\)](#)

English

CAD Files

[3D PDF](#)

English

Customer View Model

[ENG_CVM_368269-1_A.2d_dxf.zip](#)

English

Customer View Model

[ENG_CVM_368269-1_A.3d_igs.zip](#)

English

Customer View Model

[ENG_CVM_368269-1_A.3d_stp.zip](#)

English

By downloading the CAD file I accept and agree to the [Terms and Conditions](#) of use.

Instruction Sheets

[Instruction Sheet \(U.S.\)](#)

English