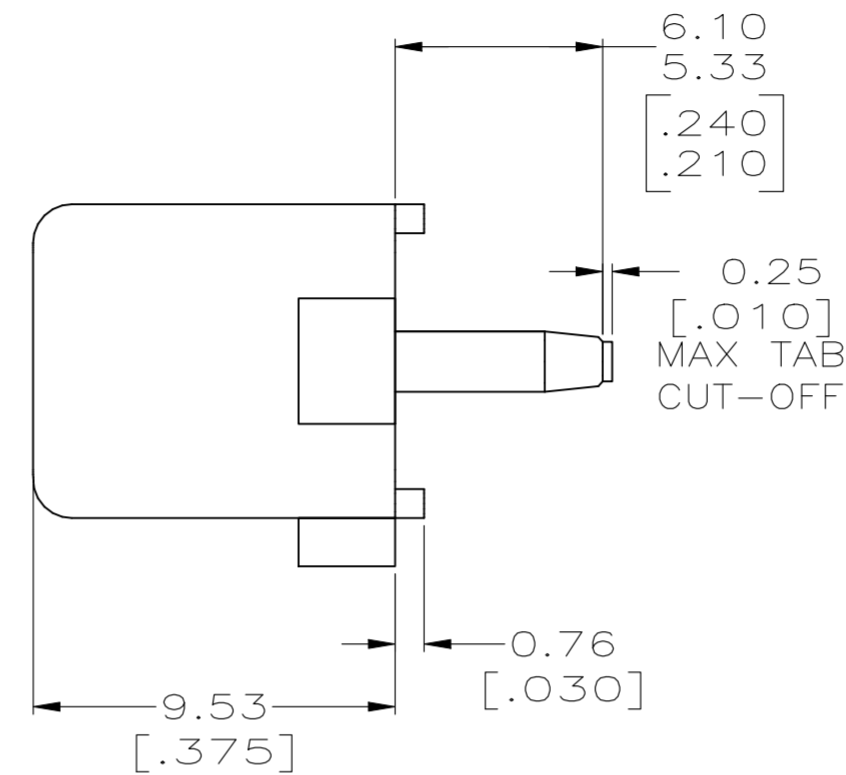
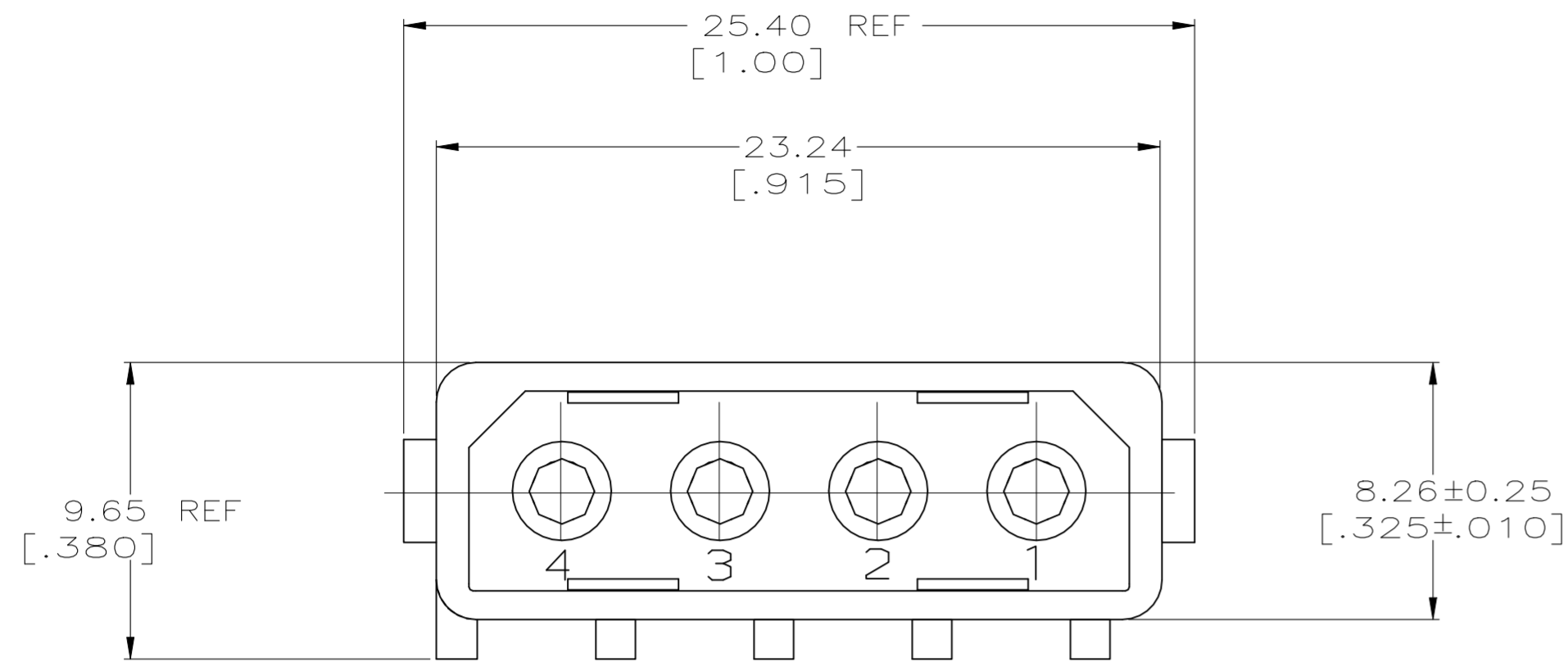
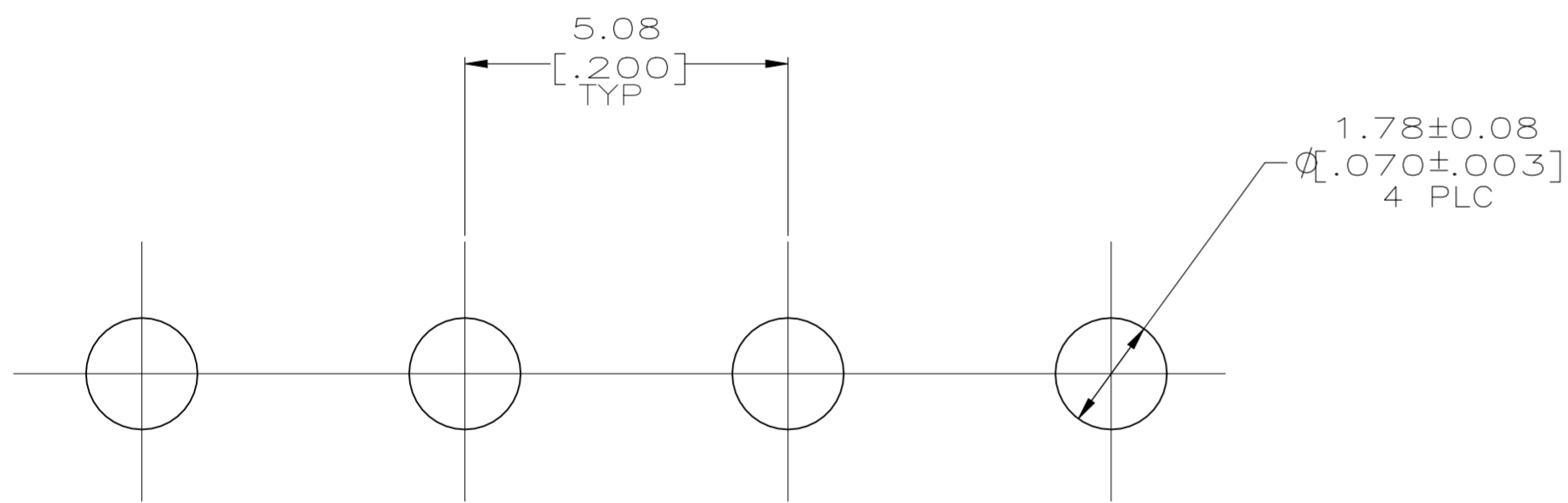


THIS DRAWING IS UNPUBLISHED. RELEASED FOR PUBLICATION .19
 (C) COPYRIGHT 19 BY AMP INCORPORATED. ALL RIGHTS RESERVED.

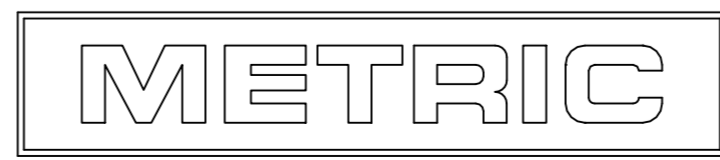
LOC	DIST	REVISIONS			
P	LTR	DESCRIPTION	DATE	DWN	APVD
CM	53	A	REVISED PER ECR-21-117185	22OCT2021	PJ VS



1. PARTS MUST COMPLY WITH AMP SOLDERABILITY SPECIFICATION 109-11-3.
2. DIMENSIONS IN BRACKETS ARE IN INCHES.
3. DIMENSION SHOWN REPRESENT PRODUCT IN DRY CONDITION. ADDITIONAL 2% GROWTH DUE TO END USE LOCATION MOISTURE ABSORPTION MAY OCCUR AND SHOULD BE ACCOUNTED FOR.



RECOMMENDED P.C. BOARD LAYOUT
 FOR 3.18 [.125] THICK P.C. BOARD
 SCALE 10:1



PH BRZ,PRE-TIN	NYLON,UL94V-0,WHITE	794431-1
PIN CONTACT MATERIAL & FINISH	HOUSING MATERIAL & COLOR	PART NUMBER

<small>THIS DRAWING IS A CONTROLLED DOCUMENT FOR AMP INCORPORATED. IT IS SUBJECT TO CHANGE AND THE CONTROLLING ENGINEERING ORGANIZATION SHOULD BE CONTACTED FOR THE LATEST REVISION.</small>		DWN 03-FEB-1999 K. WHITAKER CHK 03-FEB-1999 R. SWING APVD 03-FEB-1999 C. MARTIN	AMP AMP Incorporated Harrisburg, PA 17105-3608
DIMENSIONS: mm [INCHES]	TOLERANCES UNLESS OTHERWISE SPECIFIED: 0 PLC ±- 1 PLC ±- 2 PLC ±0.13[.005] 3 PLC ±- 4 PLC ±- ANGLES ±0° 30' FINISH	PRODUCT SPEC APPLICATION SPEC	NAME HEADER ASSEMBLY, 4 CIRCUIT, COMMERCIAL MATE-N-LOK™
MATERIAL SEE TABLE	SEE TABLE	WEIGHT - CUSTOMER DRAWING	SIZE A2 CAGE CODE 00779 DRAWING NO. C=794431 SCALE 5:1 SHEET 1 OF 1 REV A