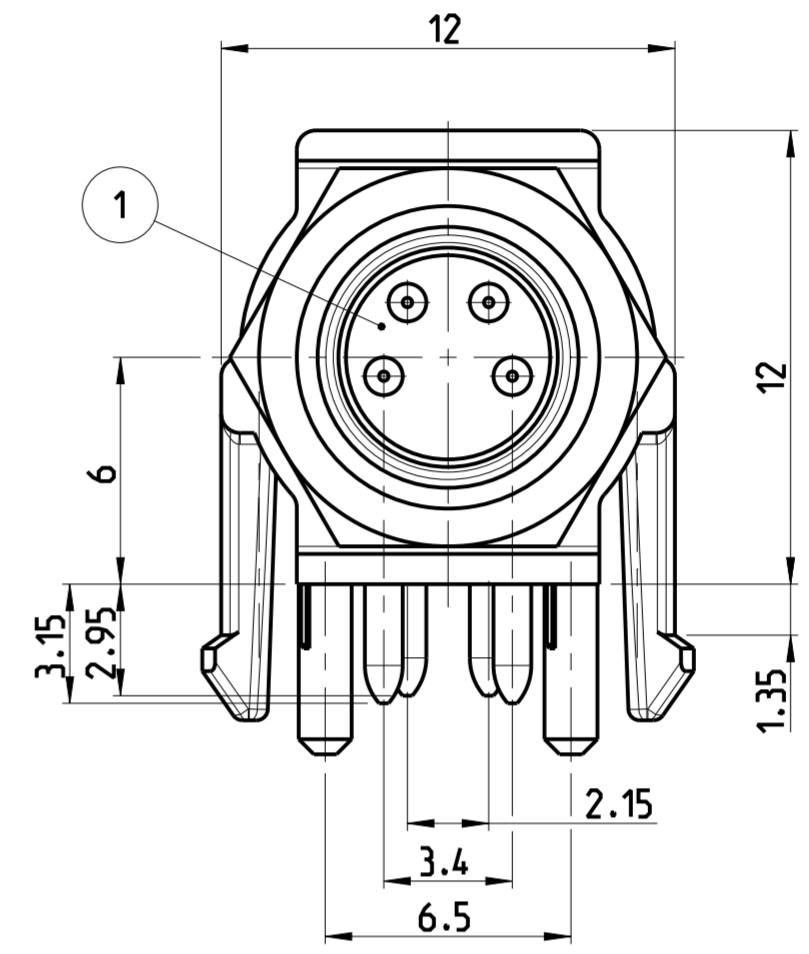
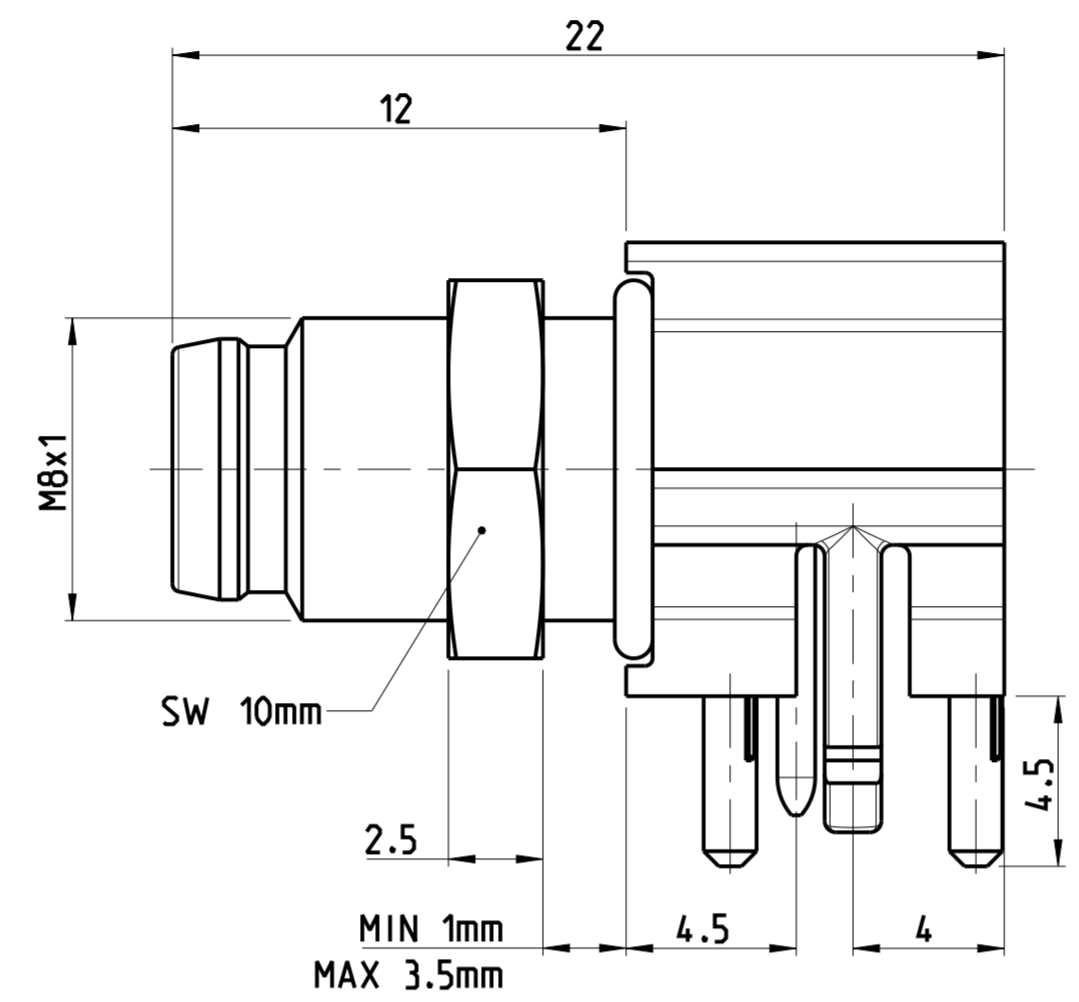


THIS DRAWING IS UNPUBLISHED.
 VERTRÄGLICHE UNVERÖFFENTLICHTE ZEICHNUNG
 © COPYRIGHT 2014 Tyco Electronics AMP GmbH
 RELEASED FOR PUBLICATION
 FREI FÜR VERÖFFENTLICHUNG
 2014
 ALL RIGHTS RESERVED.
 ALLE RECHTE VORBEHALTEN.
 MATED WITH
 PASSEND ZU

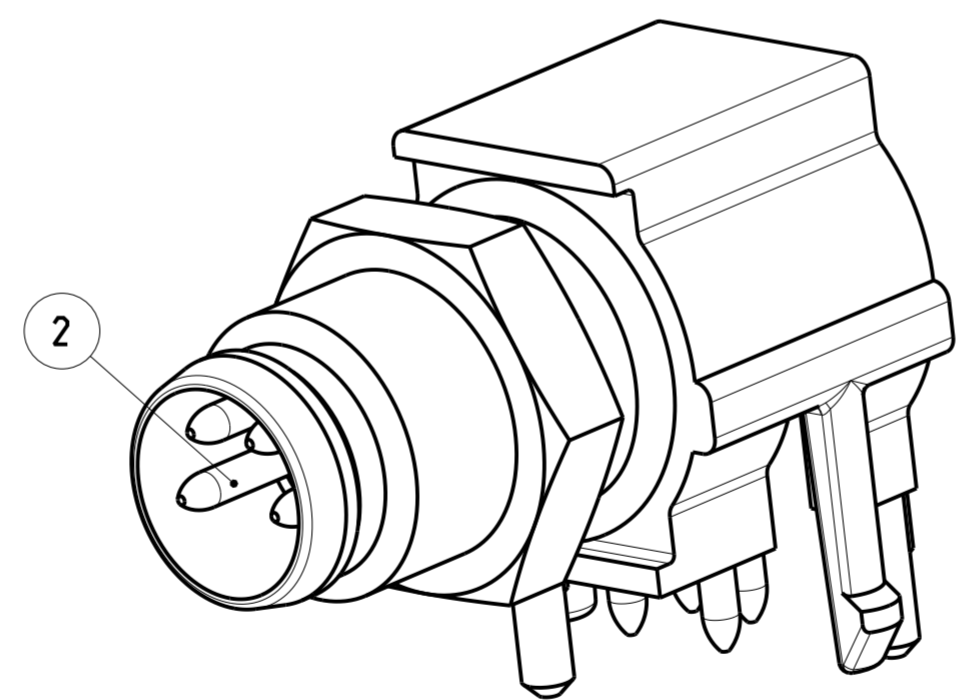
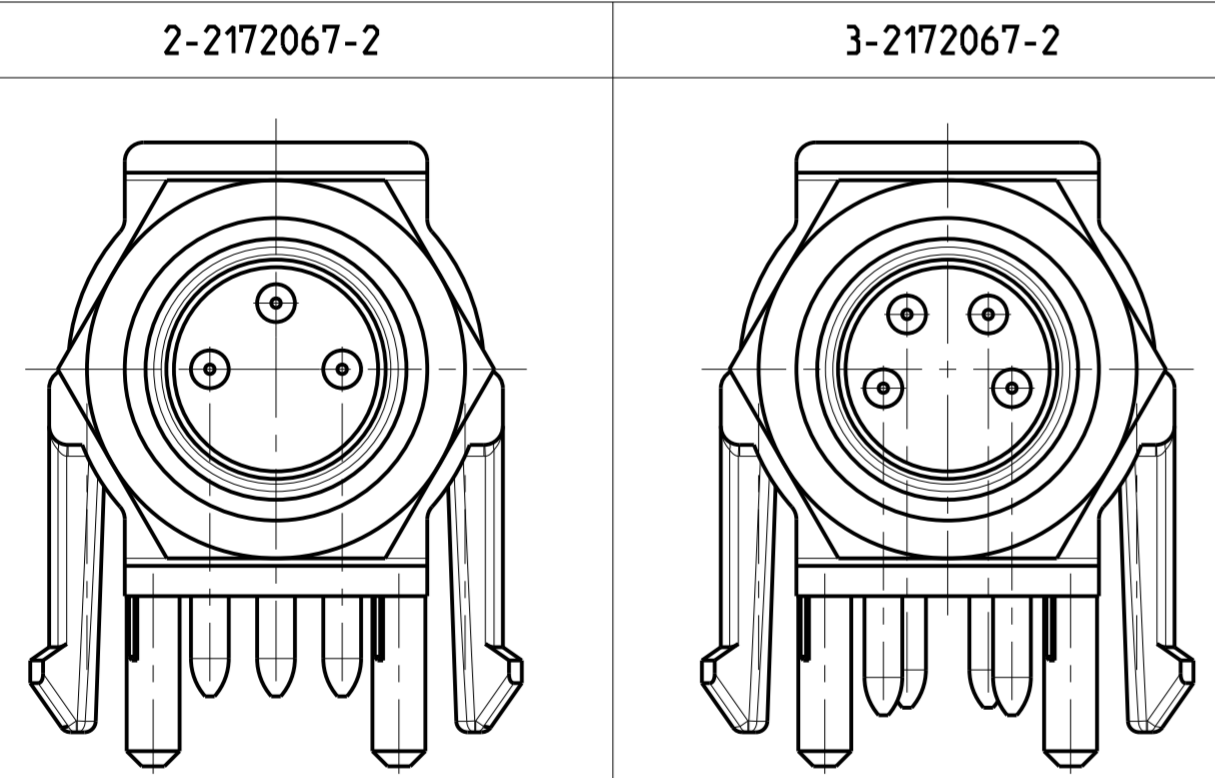
PROJECT NO.:
 PRJ-11-000004377

REVISIONS		DATE	DWN	APVD
ÄNDERUNGEN				
P	LTR	DESCRIPTION		
		BESCHREIBUNG		
A		NEW RELEASE	04DEC2014	TJ PS

TECHNICAL DATA	2-2172067-2	3-2172067-2
RATED VOLTAGE	60V	30V
RATED IMPULSE VOLTAGE	800V	800V
POLLUTION DEGREE	3	3
OVERVOLTAGE CATEGORY	II	II
MATERIAL GROUP	II	II
RATED CURRENT	4A	4A
VOLUME RESISTIVITY	≤ 3mΩ	≤ 3mΩ
DEGREE OF PROTECTION	IP67	IP67
UPPER TEMPERATURE	+85 °C	+85 °C
LOWER TEMPERATURE	-40 °C	+40 °C



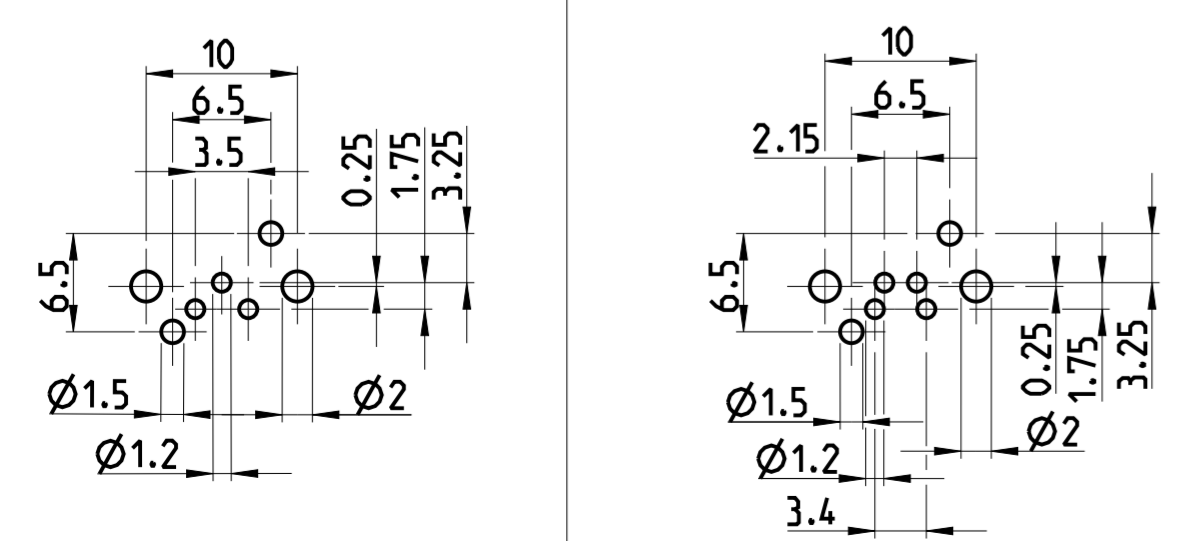
PIN ARRANGEMENT



NOTES

- 1 MATERIAL: ITEM NO. 1: CONTACT BODY - PA
 ITEM NO. 2: CONTACT - CuZn (BRASS)
 CONTACT FINISH - Au (GOLD)
- 2 ALL DIMENSIONS ARE FOR NOMINAL REFERENCE ONLY UNLESS OTHERWISE STATED

CONDUCTOR LAYOUT



SIZE ISO 14405 (E)

DIESE ZEICHNUNG IST EIN KONTROLLIERTES DOKUMENT. BEMASSUNGEN UND TOLERANZEN GEMAESS GPS (ISO STANDARDS).		DWH YASHKUMAR 25 JUL 2014	
THIS DRAWING IS A CONTROLLED DOCUMENT. DIMENSIONING AND TOLERANCING PER GPS (ISO STANDARDS).		CHK M. BRUBAKER 25 JUL 2014	
DIMENSIONS: MASSE IN MILLIMETER: (MM)		APVD M. BRUBAKER 25 JUL 2014	
TOLERANCES UNLESS OTHERWISE SPECIFIED: ALLGEMEIN TOLERANZEN		NAME M8 RECEPTACLE, MALE, PCB MOUNT, ANGLED	
0 PLC ±		PRODUCT SPEC 108-19483	
1 PLC ±		APPLICATION SPEC 114-32127	
2 PLC ±		WEIGHT -	
3 PLC ±		Customer Drawing	
4 PLC ±		/KUNDENZEICHNUNG	
ANGLES/WINKEL ±		SCALE MASSSTAB 5:1	
FINISH/OBERFLÄCHE/FARBE		SHEET BLATT 1 OF 1	
MATERIAL		REV A	
SEE NOTES		RESTRICTED TO MUR FUER	

⚠	4	3-2172067-2
⚠	3	2-2172067-2
MATERIAL	NUMBER OF POLES	TE-PART-NO.



SIZE	CAGE CODE	DRAWING NO.	RESTRICTED TO
A2	00779	C-2172067	MUR FUER
Customer Drawing			REV A