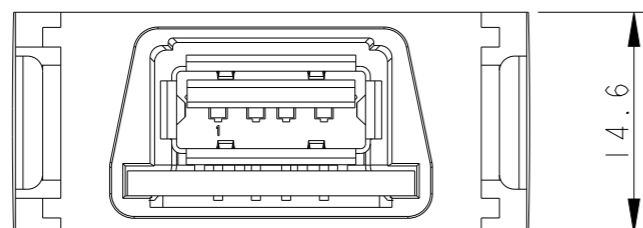
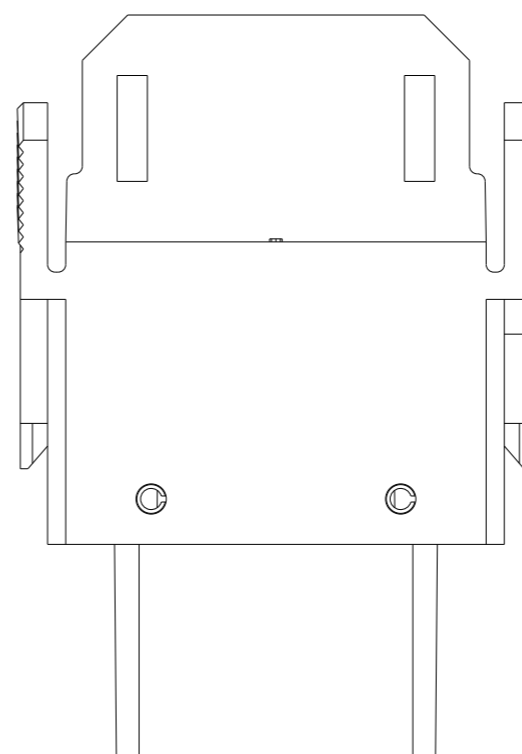
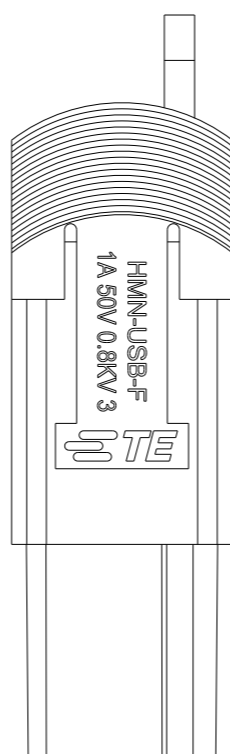
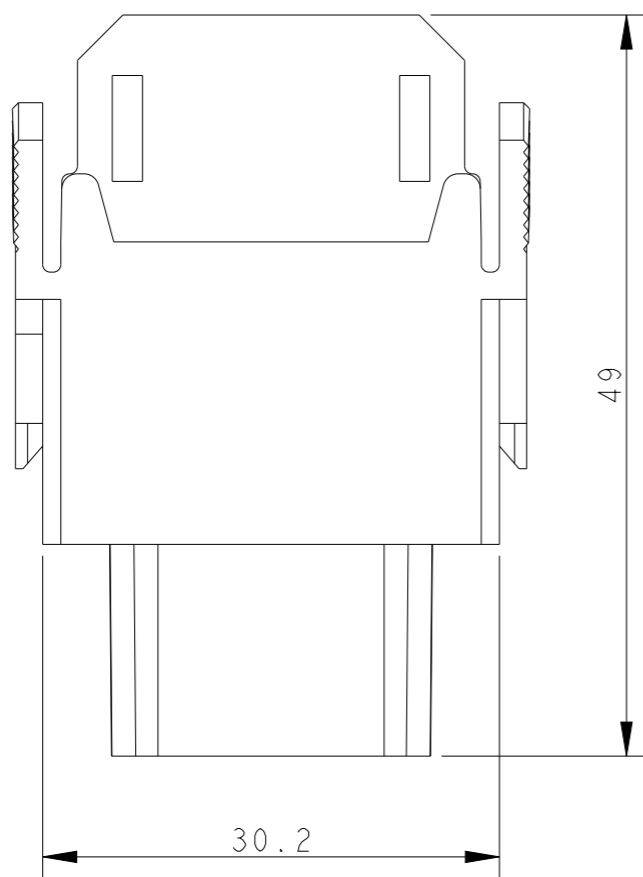
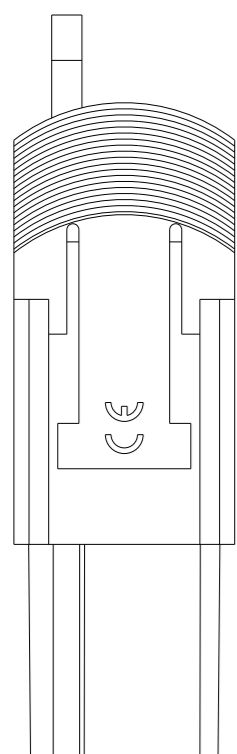
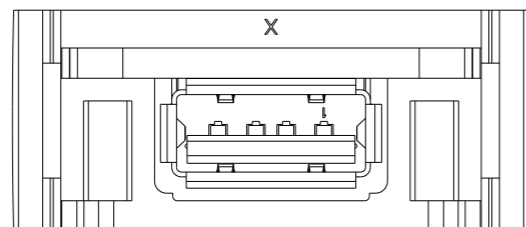


REVISIONS

P	LTR	DESCRIPTION	DATE	DWN	APVD
	A	INITIAL RELEASE	16APR2015	DL	CW
	A1	ECR-21-107221	13JUL2021	DL	CW
	B	ECR-21-111798	06OCT2021	WQR	CW



NOTES:

- TECHNICAL CHARACTERISTICS:
 INSULATION MATERIAL: PC
 RATED VOLTAGE: 50V
 RATED CURRENT: 1A
 INSULATION RESISTANCE: $\geq 400M\Omega$
 RATED IMPULSE VOLTAGE: 0.8KV
 POLLUTION DEGREE: 3
 FLAMMABILITY: UL94V-0
 MATING CYCLES: 1500
 OPERATION TEMPERATURE: $-40^{\circ}C \sim +70^{\circ}C$

注释:

- 技术参数:
 绝缘材料: PC
 额定电压: 50V
 额定电流: 1A
 绝缘电阻: $\geq 400M\Omega$
 脉冲电压: 0.8KV
 污染等级: 3
 阻燃等级: UL94V-0
 插拔次数: 1500
 工作温度: $-40^{\circ}C \sim +70^{\circ}C$

HMN-USB-F	T2114000201-000
DESCRIPTION	PART NUMBER



TE Connectivity

THIS DRAWING IS A CONTROLLED DOCUMENT.		DWN	DAVID LI	16APR2015	NAME HMN-USB-F											
DIMENSIONS: mm		CHK	CHRIS WANG	16APR2015												
TOLERANCES UNLESS OTHERWISE SPECIFIED:		APVD	XU XIANG	16APR2015												
<table border="0"> <tr><td>0 PLC</td><td>±-</td></tr> <tr><td>1 PLC</td><td>±-</td></tr> <tr><td>2 PLC</td><td>±-</td></tr> <tr><td>3 PLC</td><td>±-</td></tr> <tr><td>4 PLC</td><td>±-</td></tr> <tr><td>ANGLES</td><td>±-</td></tr> </table>		0 PLC	±-	1 PLC		±-	2 PLC	±-	3 PLC	±-	4 PLC	±-	ANGLES	±-	PRODUCT SPEC	108-137066
0 PLC	±-															
1 PLC	±-															
2 PLC	±-															
3 PLC	±-															
4 PLC	±-															
ANGLES	±-															
MATERIAL		APPLICATION SPEC	114-137066	SIZE	A3											
		WEIGHT	-	CAGE CODE	-											
		CUSTOMER DRAWING		DRAWING NO	©-T2114000201000											
				RESTRICTED TO												
				SCALE	2:1											
				SHEET	1 OF 1											
				REV	B											