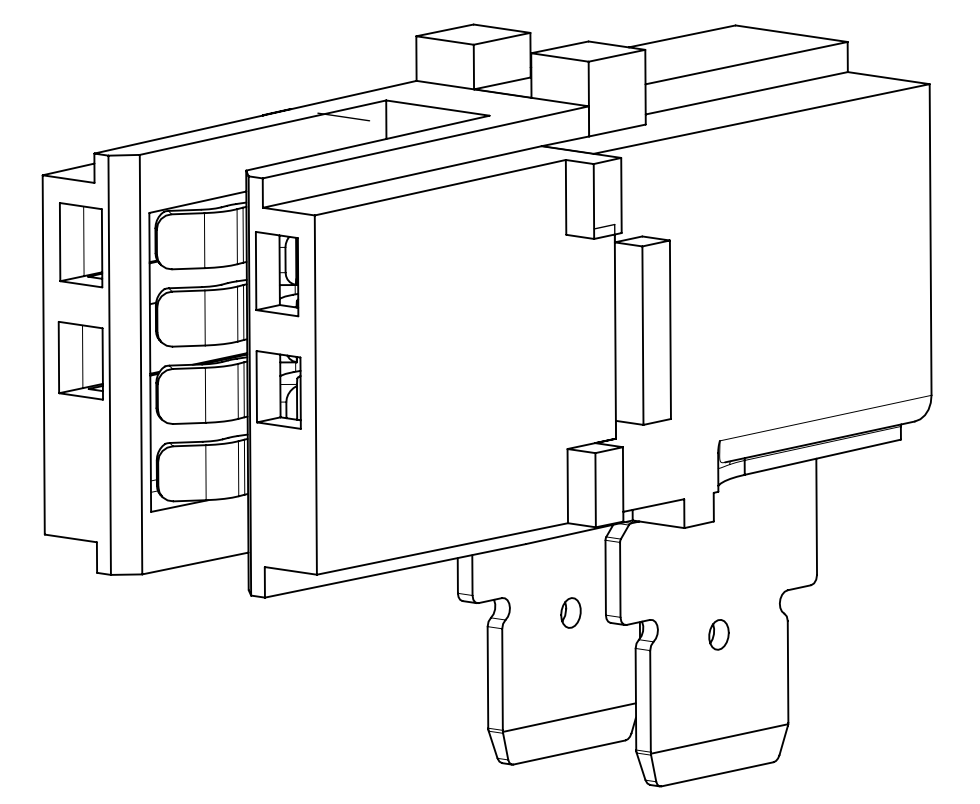
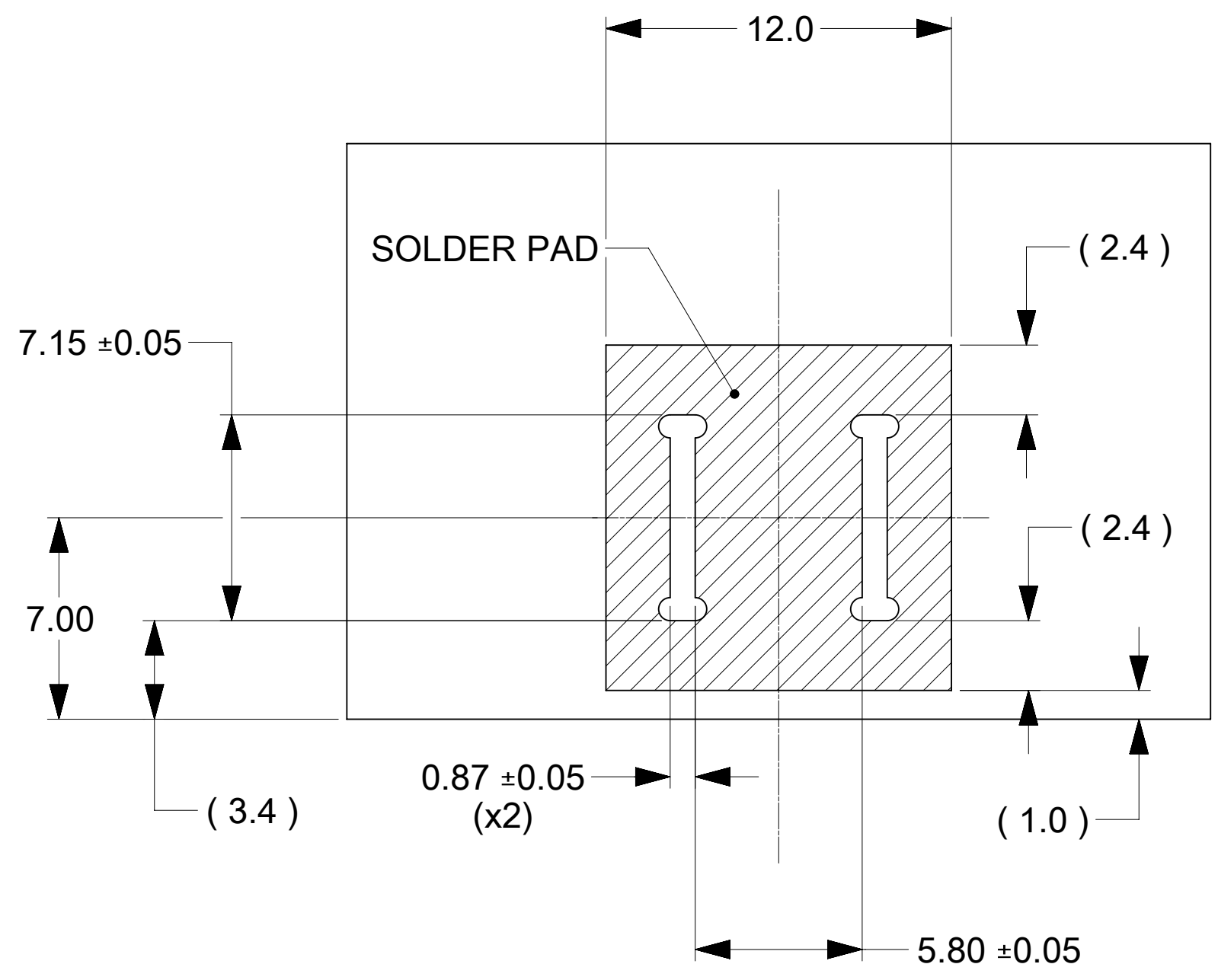


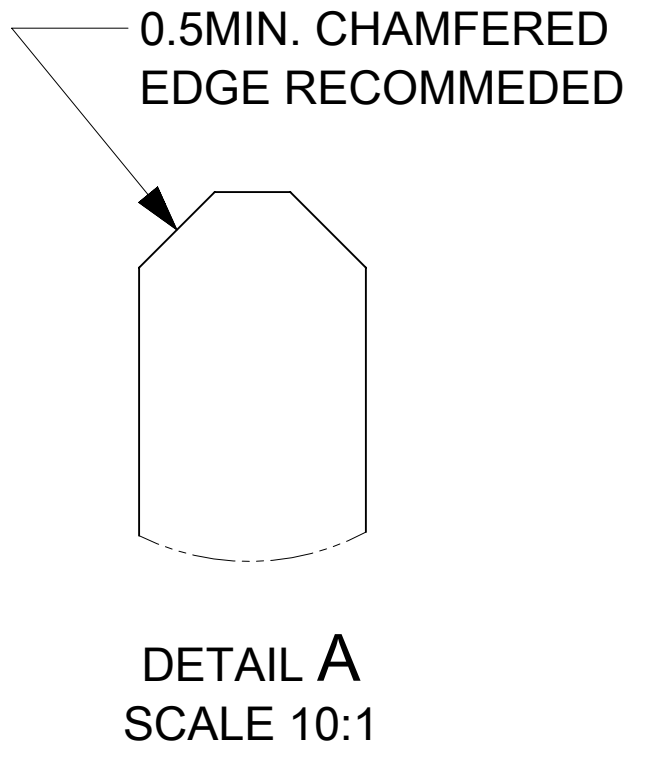
| PART NUMBER | PLATINGS ON THE CONTACT AREAS |
|-------------|-------------------------------|
| 213205-0002 | SILVER OVER NICKEL |
| 213205-0102 | TIN OVER NICKEL |



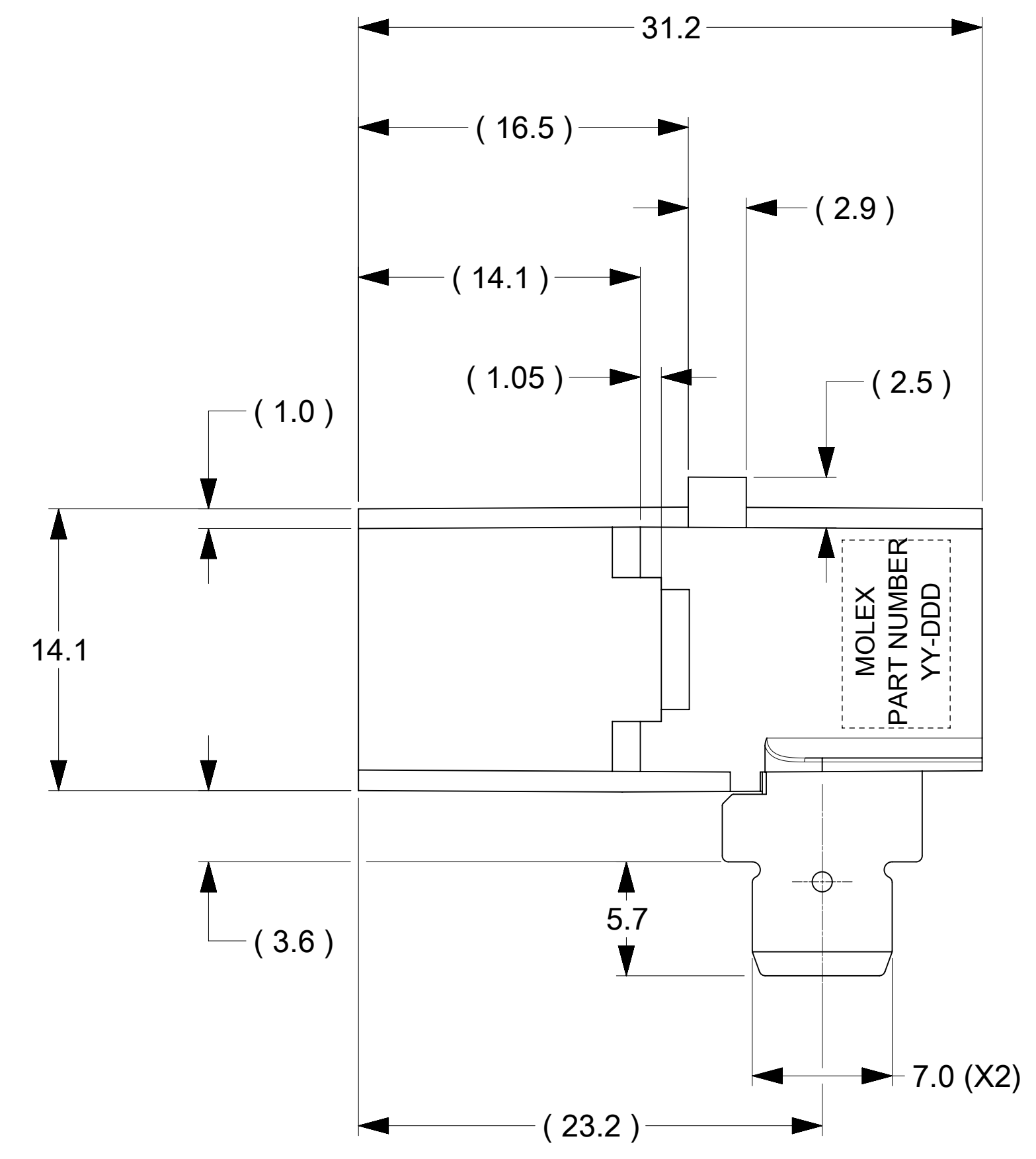
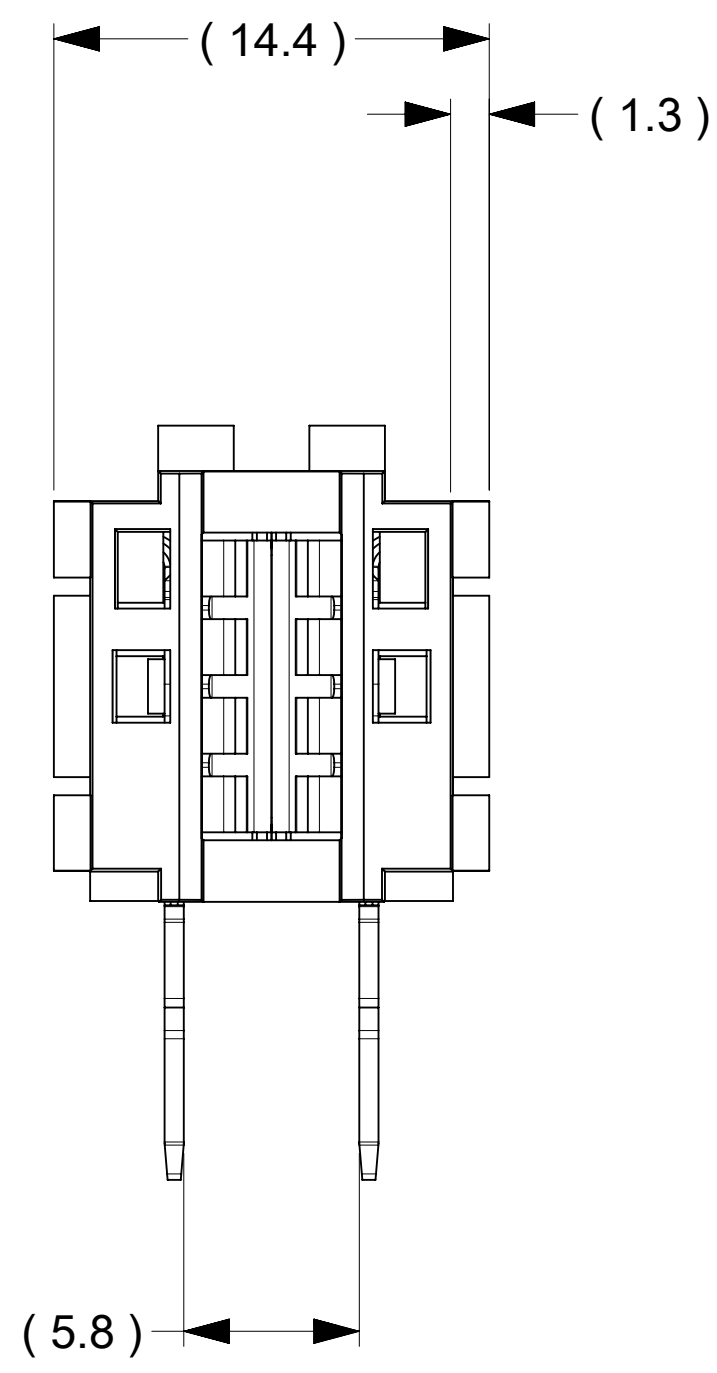
PCB, BUSBAR
IN THESE VIEWS ARE SHOWN FOR REFERENCE ONLY



RECOMMENDED PCB LAYOUT
(THICKNESS 4.8mm MAX.)



- NOTES:
- MATERIALS:
 - HOUSING BODY: POLYMER. UL94V-0; BLACK.
 - TERMINALS: COPPER ALLOY.
 - RIVET/CLIP: COPPER ALLOY.
 - PLATING:
 - CONTACT AREAS: SEE CHART.
 - TAB AREAS: TIN OVER NICKEL.
 - REST: NICKEL OVERALL.
 - LUBRICATION: LUBED IN CONTACT AREA.
 - REFERENCE DOCUMENT:
 - SILVER VERSION: 2131910001-PS, 2131910001-AS.
 - TIN VERSION: 2131910002-PS, 2131910001-AS.
 - MODULE ASSEMBLY IS RoHS COMPLIANT.
 - FINAL ASSEMBLY TO BE PACKAGED AND LABELED PER PACKAGING DRAWING NUMBER 2131910002-PK.
 - MATED BUSBAR SHOULD BE PLATED WITH SILVER OVER NICKEL FOR SILVER VERSION CONNECTOR AND TIN OVER NICKEL FOR TIN VERSION CONNECTOR.



| FUNCTIONAL SYMBOLS | THIS DRAWING CONTAINS INFORMATION THAT IS PROPRIETARY TO MOLEX ELECTRONIC TECHNOLOGIES, LLC AND SHOULD NOT BE USED WITHOUT WRITTEN PERMISSION | | CURRENT REV DESC: | |
|--------------------|---|---------|-------------------|-----------------|
| $\nabla_A = 0$ | DIMENSION UNITS | SCALE | | |
| $\nabla_C = 0$ | mm | 5:1 | | |
| $\nabla_P = 0$ | GENERAL TOLERANCES (UNLESS SPECIFIED) | | | |
| | ANGULAR TOL | ± | | |
| | 4 PLACES | ± | | |
| | 3 PLACES | ± | | |
| | 2 PLACES | ± 0.15 | | |
| | 1 PLACE | ± 0.25 | | |
| | 0 PLACES | ± | | |
| DIVISIONAL SYMBOLS | DRAFT WHERE APPLICABLE MUST REMAIN WITHIN DIMENSIONS | | | |
| | THIRD ANGLE PROJECTION | DRAWING | SERIES | MATERIAL NUMBER |
| | | D-SIZE | 213205 | SEE CHART |
| | | | | CUSTOMER |
| | | | | SHEET NUMBER |
| | | | | 1 OF 1 |

molex

POWER PLANE BBC SMALL RA-TH

PRODUCT CUSTOMER DRAWING

| DOCUMENT NUMBER | DOC TYPE | DOC PART | REVISION |
|-----------------|----------|----------|----------|
| 2132050002-SD | PSD | 000 | B |