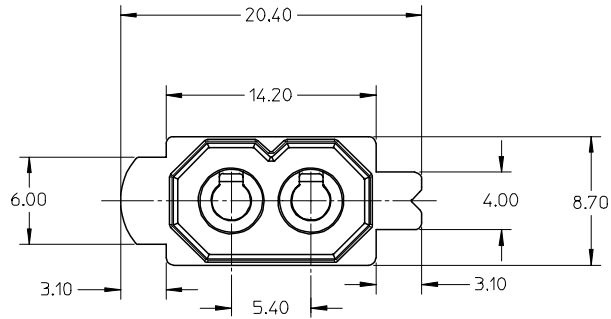
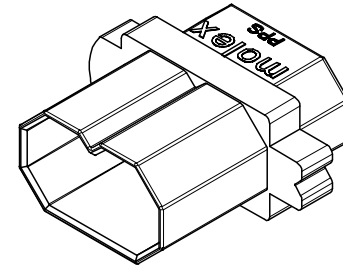
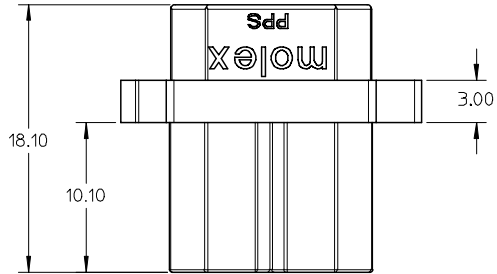


10 9 8 7 6 5 4 3 2 1



NOTES:

1. MATERIAL: PPS GLASS/MINERAL FILLED, UL94V-0, COLOR: BLACK
2. MATE WITH 78196 SERIES.
3. TERMINAL TO BE USED : P/N 78037-2005.
4. PACKAGING INFORMATION : BULK PACKAGING IN POLYBAG.
5. PRODUCT SPECIFICATION ; PS-78196-001

NEW RELEASE	2007/05/09
EC NO: S2007-0942	2007/05/09
DRWN: BOKOK	2007/05/09
CHKD: CGTAN	2007/05/09
APPR: KCLING	2007/05/09
REV	DESCRIPTION
A	

QUALITY SYMBOLS	DESCRIPTION
▽=0	
∇=0	

GENERAL TOLERANCES (UNLESS SPECIFIED)	
	MM ONLY
4 PLACES	± 0.15
3 PLACES	± 0.20
2 PLACES	± 0.30
1 PLACE	± 0.50
ANGULAR ± 3 °	
DRAFT WHERE APPLICABLE MUST REMAIN WITHIN DIMENSIONS	

DIMENSION STYLE	
MM ONLY	
DRAWN BY	DATE
BOKOK	2007/05/02
CHECKED BY	DATE
CGTAN	2007/05/08
APPROVED BY	DATE
KCLING	2007/05/09
MATERIAL NO.	78197-1001
SIZE	A3

SCALE	DESIGN UNITS	THIRD ANGLE PROJECTION
NTS	METRIC	
TITLE		
PROJECTOR LAMP CONNECTOR 5.4MM PITCH, PLUG HOUSING		
MOLEX INCORPORATED		
DOCUMENT NO.	SHEET NO.	
SD-78197-002	1 OF 1	
THIS DRAWING CONTAINS INFORMATION THAT IS PROPRIETARY TO MOLEX INCORPORATED AND SHOULD NOT BE USED WITHOUT WRITTEN PERMISSION		

9 8 7 6 5 4 3 2 1