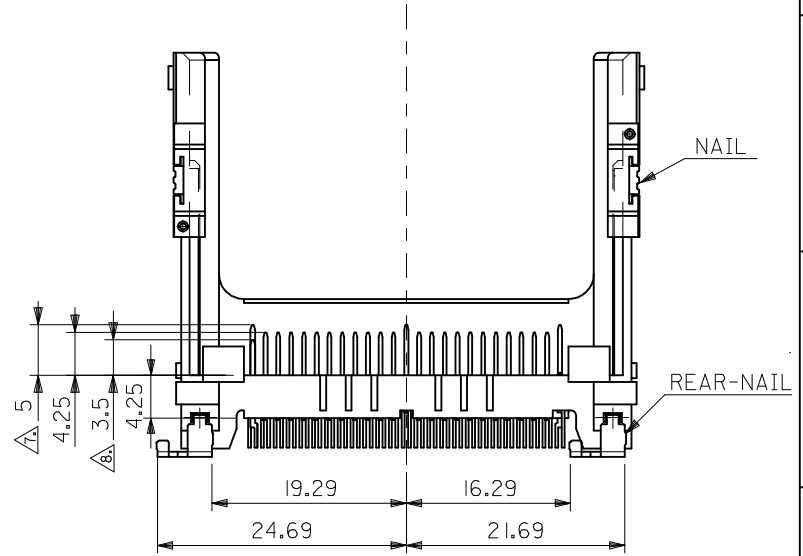
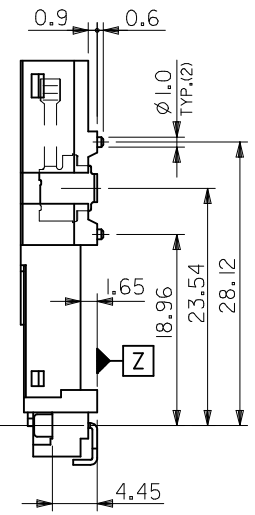
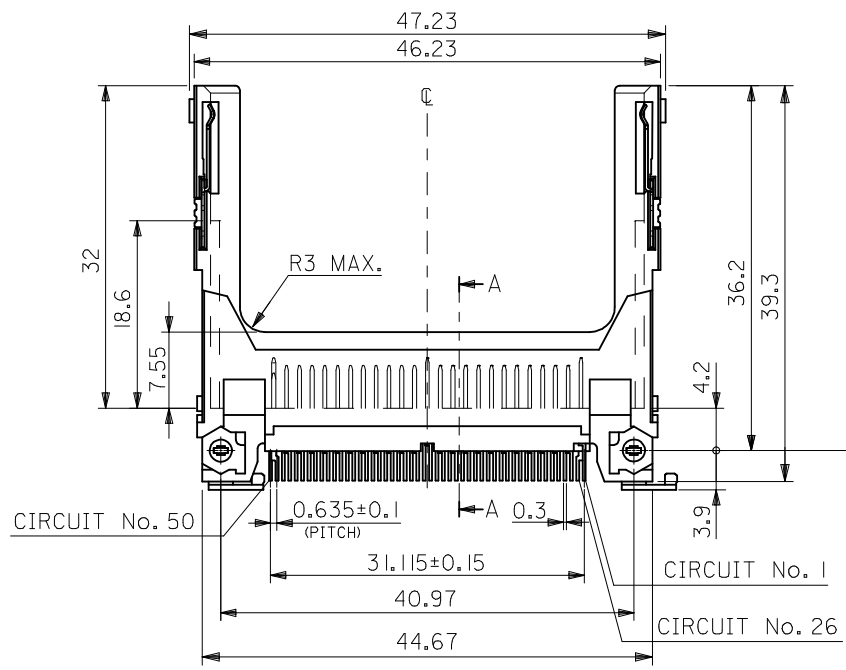
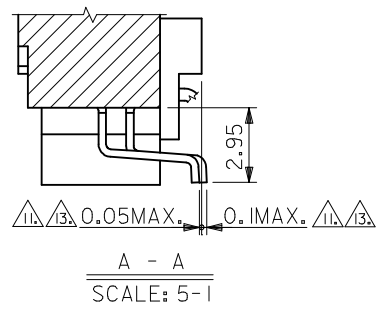
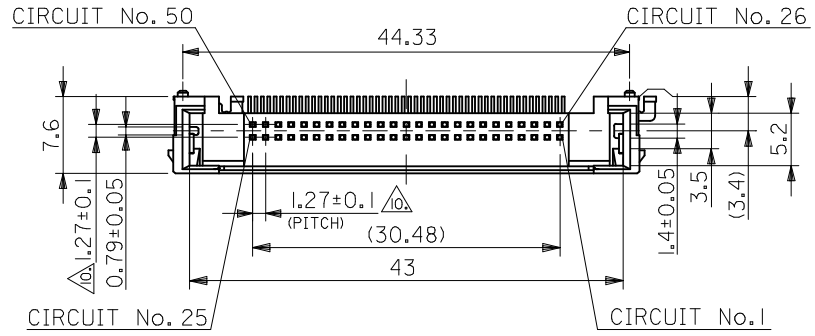


10 9 8 7 6 5 4 3 2 1



55358-5021	55358-50**
MATERIAL No.	MODEL No.

REVISED EC NO: J2009-0469 DRWN: YOSHIDAM 2008/12/01 CHKD: THARUYAMA 2008/12/01 APPR: NUKITA 2008/12/08	GENERAL TOLERANCES (UNLESS SPECIFIED)		DIMENSION STYLE	SCALE	DESIGN UNITS	THIRD ANGLE PROJECTION
	10 UNDER	± 0.2	MM ONLY	2:1	METRIC	⊙
	10 OVER 30 UNDER	± 0.25	DRAWN BY	DATE	TITLE	
	30 OVER	± 0.3	T. HIRAYAMA	'98/09/01	CF CARD CONN. 50P HEADER ASSY (TYPE I/II,NORMAL)	
	ANGULAR ± 3 °	CHECKED BY	DATE	MOLEX INCORPORATED DOCUMENT NO. SD-55358-003 SHEET NO. 1 OF 2		
	DRAFT WHERE APPLICABLE MUST REMAIN WITHIN DIMENSIONS	M. SASAO	'98/09/01			
		APPROVED BY	DATE	THIS DRAWING CONTAINS INFORMATION THAT IS PROPRIETARY TO MOLEX INCORPORATED AND SHOULD NOT BE USED WITHOUT WRITTEN PERMISSION		
		H. IKESUGI	'98/09/01			
		MATERIAL NO.				
		SIZE	A3			

注) 1. 材質
NOTES MATERIAL

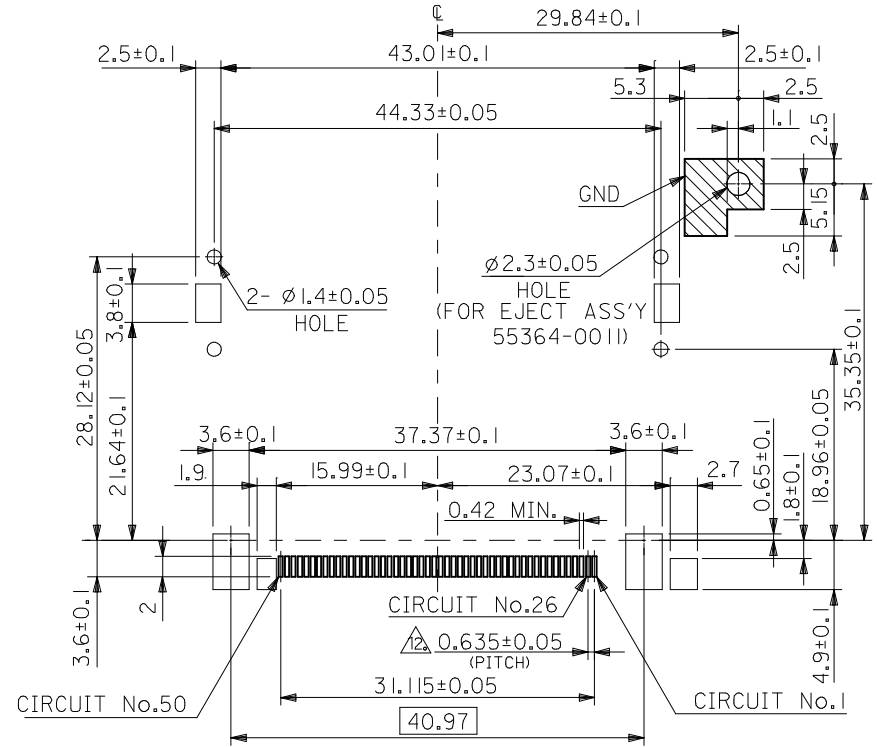
ハウジング: ガラス入りLCP UL94V-0
HOUSING: LIQUID CRYSTAL POLYMER G.F. UL94V-0
ピン: リン青銅
PIN: PHOSPHOR BRONZE
ネール: リン青銅 (t0.3)
NAIL: PHOSPHOR BRONZE (t0.3)
リヤネール: リン青銅 (t0.48)
REAR-NAIL: PHOSPHOR BRONZE (t0.48)

2. メッキ仕様
PLATING

ピン 接点部: パラジウムニッケル下地、金メッキ
CONTACT AREA: GOLD OVER PALLADIUM-NICKEL
半田付け部: 半田メッキ
SOLDER TAIL AREA: TIN-LEAD
下地メッキ: ニッケルメッキ
UNDERPLATING: NICKEL OVER ALL
ネール 接点部: 金メッキ
NAIL CONTACT AREA: GOLD
半田付け部: 半田メッキ
SOLDER TAIL AREA: TIN-LEAD
下地メッキ: ニッケルメッキ
UNDERPLATING: NICKEL OVER ALL
リヤネール 半田メッキ
REAR-NAIL TIN-LEAD
下地メッキ: 銅メッキ
UNDERPLATING: COPPER OVER ALL

3. 推奨基板厚: t=0.8 MIN.
RECOMMENDED P.C.B. THICKNESS: t=0.8 MIN.
4. 適合カード厚: 3.3±0.1 (TYPE I) AND 5 MAX. (TYPE II)
RECOMMENDED CARD THICKNESS: 3.3±0.1 (TYPE I) AND 5 MAX. (TYPE II)
5. 適合カード幅: 42.8±0.1
RECOMMENDED CARD WIDTH: 42.8±0.1
6. ハウジング色: 黒
HOUSING COLOR: BLACK
△寸法適用極: 1,13,38,50
THIS DIMENSION APPLIES TO CIRCUIT NUMBERS 1,13,38 AND 50.
△寸法適用極: 25,26
THIS DIMENSION APPLIES TO CIRCUIT NUMBERS 25 AND 26.
△ピンの倒れは、ピン根元を基準に全方向へ 0.1 MAX.とする。
PIN TIP LEAN TOWARD ANY DIRECTION NOT TO EXCEED 0.1 WHEN MEASURED FROM PIN BASE.
△ピン根元に適用する。
THIS DIMENSION TO BE MEASURED AT PIN BASE.

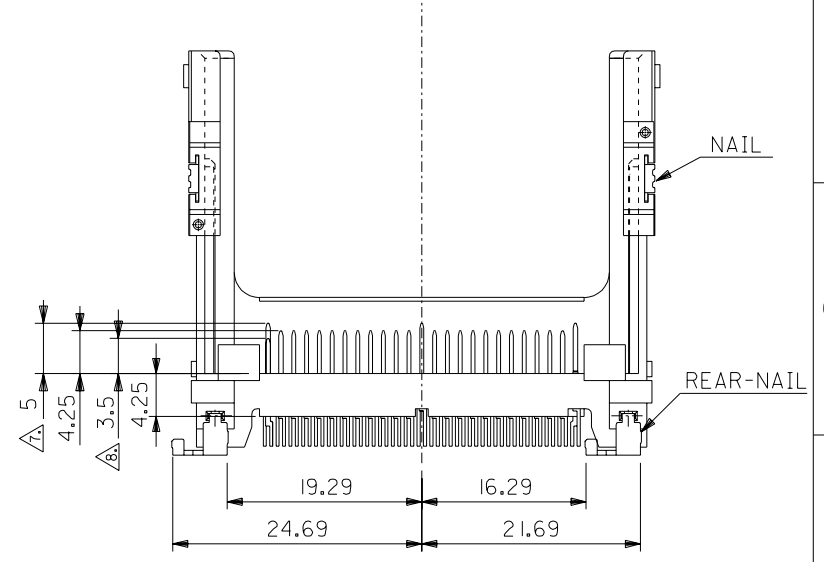
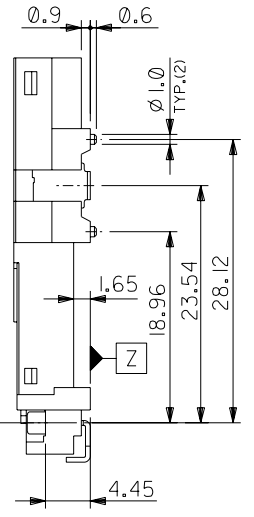
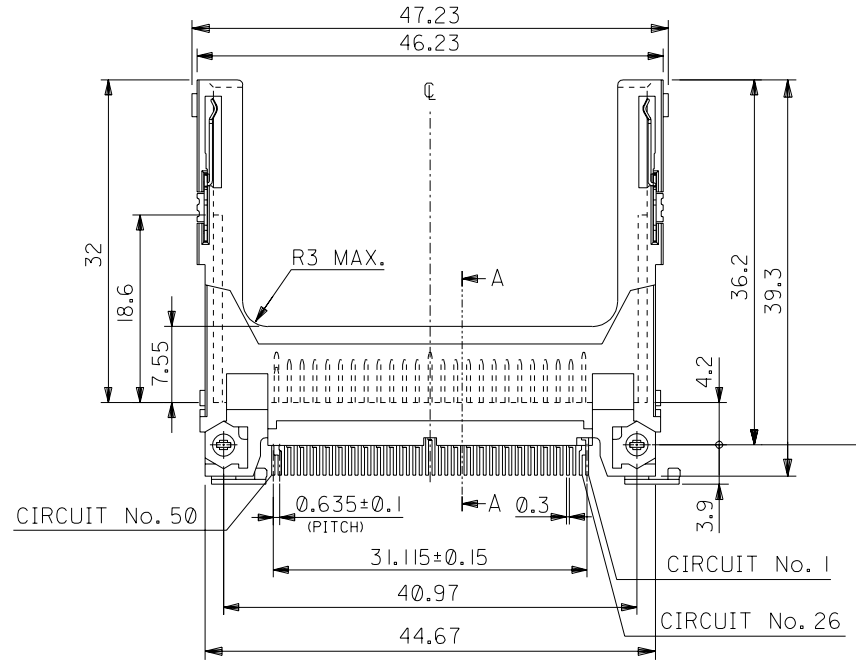
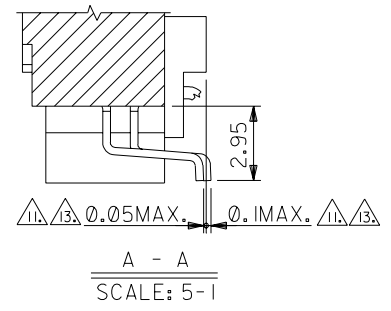
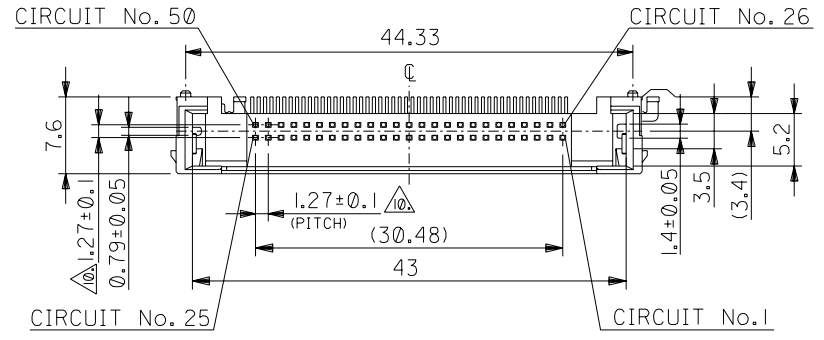
- △1 ソルダータールは、Z面を基準とし上へ 0.05 下へ 0.1 の範囲にあり、且つソルダータールの平坦度は、0.1 MAX. とし、テール先端にて測定する。
SOLDERTAILS TO BE WITHIN 0.05 UPWARD AND 0.1 DOWNWARD FROM Z-DATUM PLACE, AND COPLANARITY OF SOLDERTAILS TO BE WITHIN 0.1.
MEASUREMENT POINT IS SOLDERTAILS TIP.
△12 公差非累積
NON-CUMULATIVE
△13 テールとネール、リヤネールを併せた平坦度は、0.1 MAX. とする。
TOTAL COPLANARITY OF SOLDER TAILS, NAILS AND REAR-NAILS TO BE 0.1 MAX.



基板推奨寸法
RECOMMENDED P.C.B. LAYOUT

REVISED EC NO: J2009-0469 DRWN: YOSHIDAM 2008/12/01 CHKD: THARUYAMA 2008/12/01 APPR: NUKITA 2008/12/08	GENERAL TOLERANCES (UNLESS SPECIFIED)		DIMENSION STYLE MM ONLY	SCALE 2:1	DESIGN UNITS METRIC	THIRD ANGLE PROJECTION
	10 UNDER	±0.2	DRAWN BY T. HIRAYAMA	DATE '98/09/01	TITLE CF CARD CONN. 50P HEADER ASSY (TYPE I/II,NORMAL)	
	10 OVER 30 UNDER	±0.25	CHECKED BY M. SASAO	DATE '98/09/01	MOLEX INCORPORATED	
	30 OVER	±0.3	APPROVED BY H. IKESUGI	DATE '98/09/01	MATERIAL NO. SEE SHEET1	DOCUMENT NO. SD-55358-003
REV	ANGULAR ±3 ° DRAFT WHERE APPLICABLE MUST REMAIN WITHIN DIMENSIONS		SIZE A3	THIS DRAWING CONTAINS INFORMATION THAT IS PROPRIETARY TO MOLEX INCORPORATED AND SHOULD NOT BE USED WITHOUT WRITTEN PERMISSION		

DWG. NO. SD-55358-011



DO NOT SCALE DRAWING

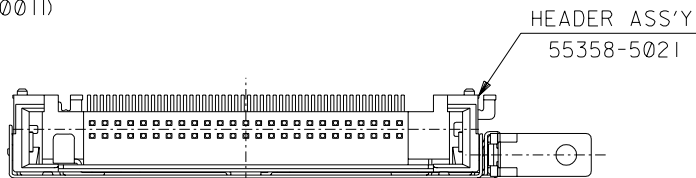
EC NO. DRWN: CHK: APPR:	EC NO. DRWN: CHK: APPR:	EC NO. DRWN: CHK: APPR:	EC NO. DRWN: CHK: APPR:	RELEASED EC NO. J2002-3139 DRWN: THANYU '02/06/17 CHK: MSASAO '02/06/17 APPR: MSASAO '02/06/17
REV	DESCRIPTION	MATERIAL 材料	FINISH 仕上り	WIRE RANGE 適用電線範囲
0	SEE NOTES	SEE NOTES	SEE NOTES	INS. RANGE 被覆外径

GENERAL TOLERANCES: (UNLESS SPECIFIED) 一般公差	SCALE 2 - 1	DESIGN UNITS <input checked="" type="checkbox"/> mm <input type="checkbox"/> INCH	THIRD ANGLE PROJECTION <input checked="" type="checkbox"/> THIRD ANGLE	DIMENSIONS: <input type="checkbox"/> mm <input type="checkbox"/> INCH <input checked="" type="checkbox"/> mm ONLY	SHT REV
10 UNDER 未満	±0.2	DRAWN BY & DATE T. Hamura '02/06/17	TITLE: CF CARD CONN. 50P HEADER ASS'Y (TYPE I/II, NORMAL)		
10 OVER 30 UNDER 以上 未満	±0.25	CHECKED BY & DATE H. Sasaki '02/06/17	MOLEX INCORPORATED		
30 OVER 以上	±0.3	APPROVED BY & DATE H. Sasaki '02/06/17	CAD FILENAME SD-55358-011.S01	MATERIAL NO. SEE CHART	DRAWING NO. SD-55358-011
ANGLE 角度	±3°	THIS DRAWING CONTAINS INFORMATION THAT IS PROPRIETARY TO MOLEX INCORPORATED AND SHOULD NOT BE USED WITHOUT WRITTEN PERMISSION.			SHEET NO. 1 OF 3

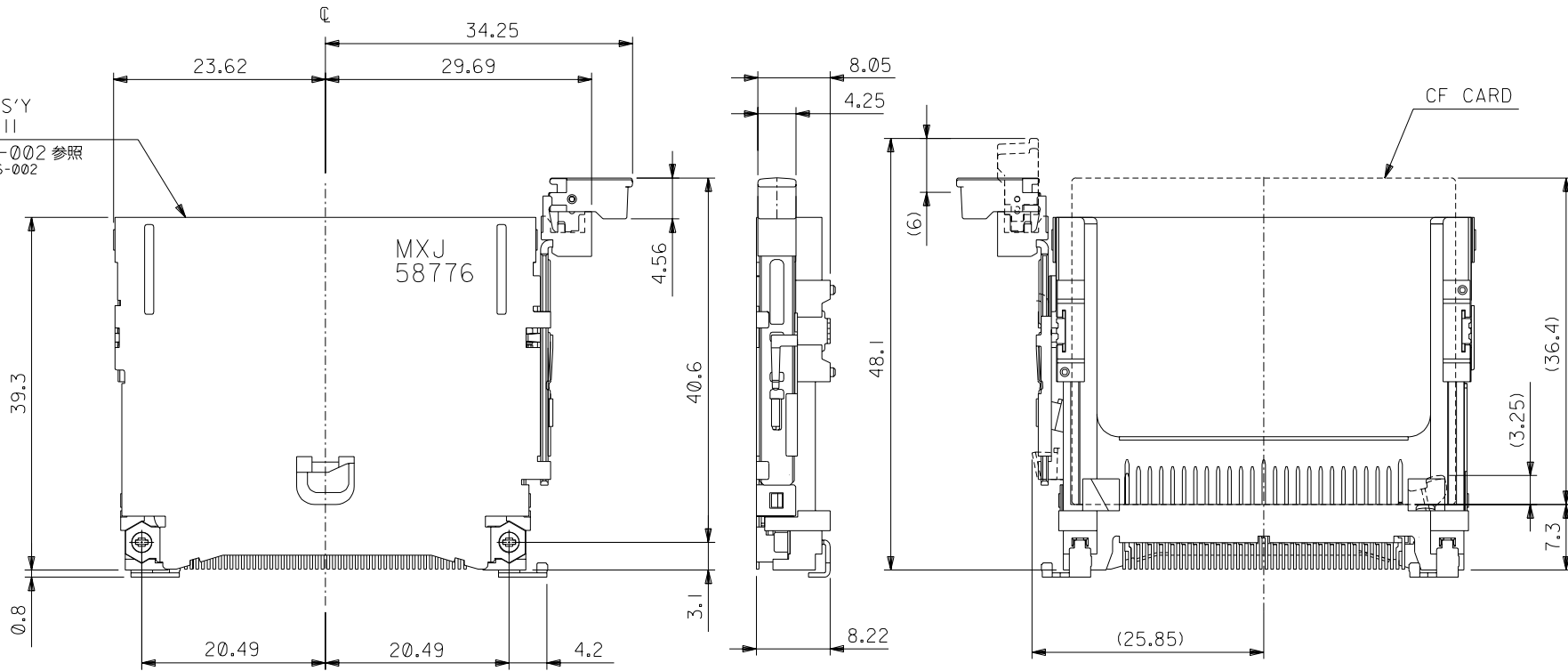
55358-5021	55358-50**
MATERIAL No.	MODEL No.
EN-02J(097) MXJ-54	

REFERENCE USE ONLY

NORMAL MOUNT TYPE
(55358-5021 & 55356-0011)



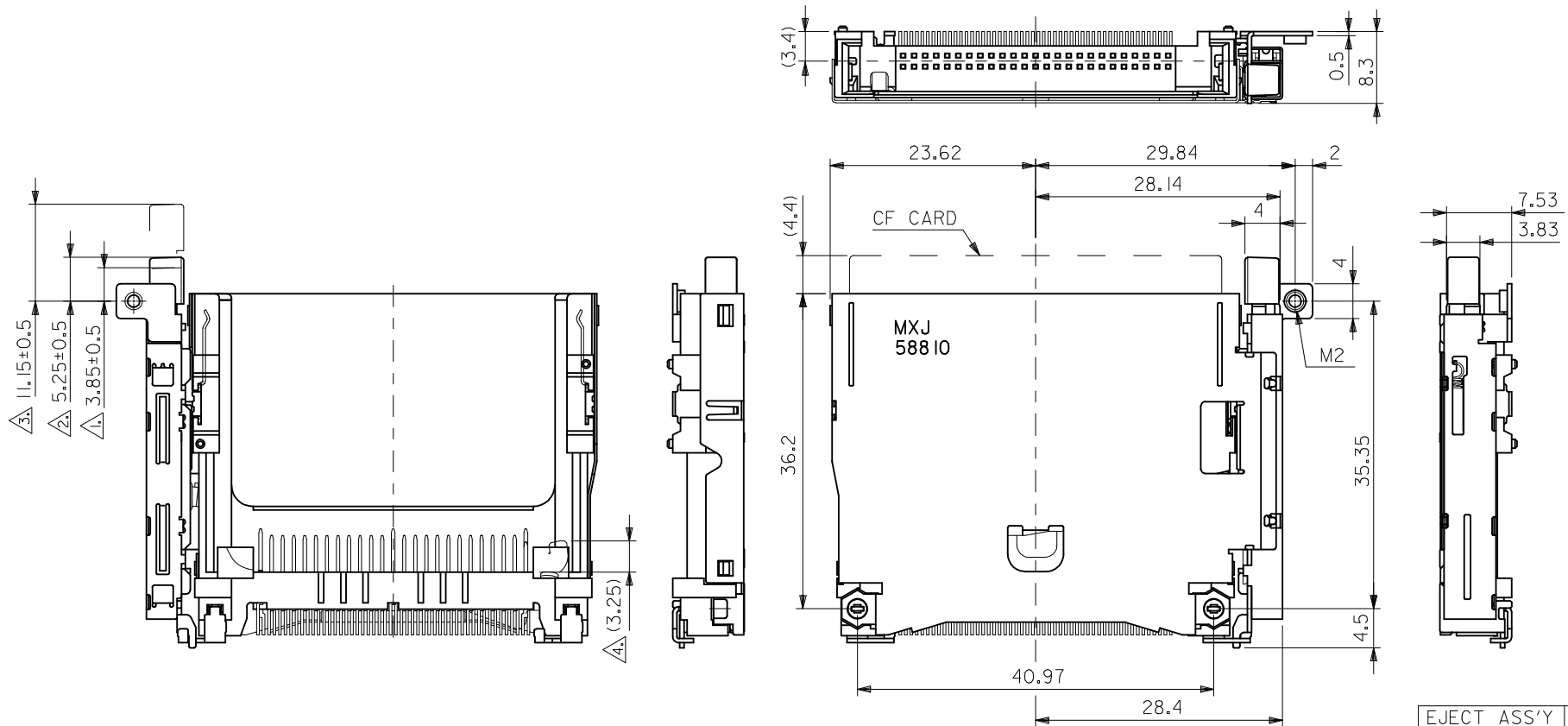
SHELL ASS'Y
55356-0011
SD-55356-002 参照
SEE SD-55356-002



DO NOT SCALE DRAWING

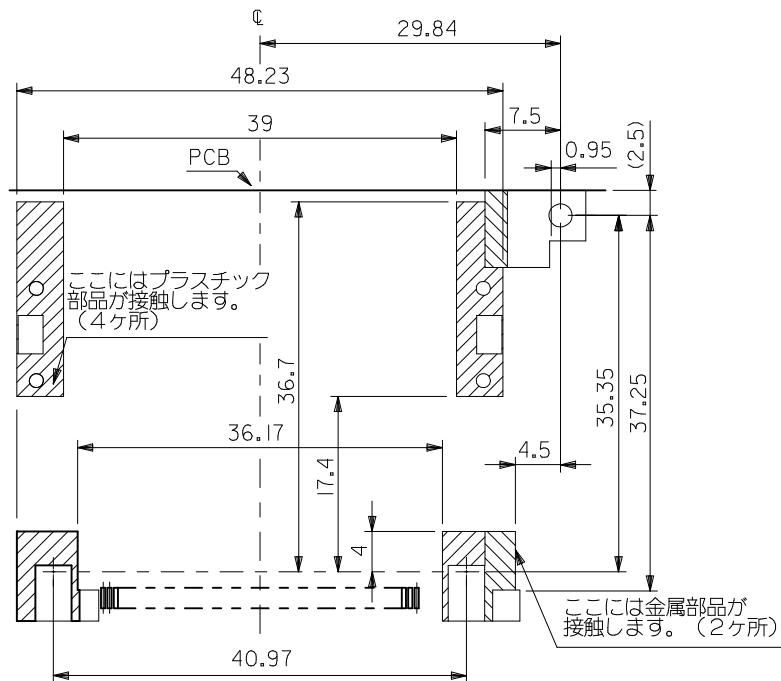
EC NO. DRWN: CHK: APPR:				EC NO. DRWN: CHK: APPR:				EC NO. DRWN: CHK: APPR:				EC NO. DRWN: CHK: APPR:				SEE SHEET 1 OF 3 EC NO. DRWN: CHK: APPR:				MATERIAL 材料				GENERAL TOLERANCES: (UNLESS SPECIFIED) 一般公差				SCALE 2 - 1				DESIGN UNITS <input checked="" type="checkbox"/> mm <input type="checkbox"/> INCH				THIRD ANGLE PROJECTION				DIMENSIONS: <input type="checkbox"/> mm <input type="checkbox"/> INCH <input checked="" type="checkbox"/> mm ONLY				SHT REV			
10 UNDER 未滿				±0.2				10 OVER 30 UNDER 以上 未滿				±0.25				30 OVER 以上				±0.3				DRAWN BY & DATE T. Haman '02/06/17				TITLE: CF CARD CONN. 50P HEADER ASS'Y (TYPE I/II,NORMAL)				MOLEX INCORPORATED				MATERIAL NO. DRAWING NO. SHEET NO.											
ANGLE 角度				±3°				WIRE RANGE 適用電線範圍				INS. RANGE 被覆外径				CHECKED BY & DATE H. Sato '02/06/17				APPROVED BY & DATE [Signature] '02/06/17				CAD FILENAME SD-55358-011.S03																DRAWING NO. SD-55358-011				SHEET NO. 3			
THIS DRAWING CONTAINS INFORMATION THAT IS PROPRIETARY TO MOLEX INCORPORATED AND SHOULD NOT BE USED WITHOUT WRITTEN PERMISSION.																								SIZE B																							

- 注) NOTES
- 1. ボタン・フルストローク位置。
BUTTON'S FULL STROKE POSITION.
 - 2. ボタン収納時位置。
BUTTON'S IN POSITION.
 - 3. ボタン突出時位置。
BUTTON'S OUT POSITION.
 - 4. イジェクト時、カード飛び出し量は(3.25)mm。
IN EJECTING OPERATION, CARD OUT BY (3.25)mm.

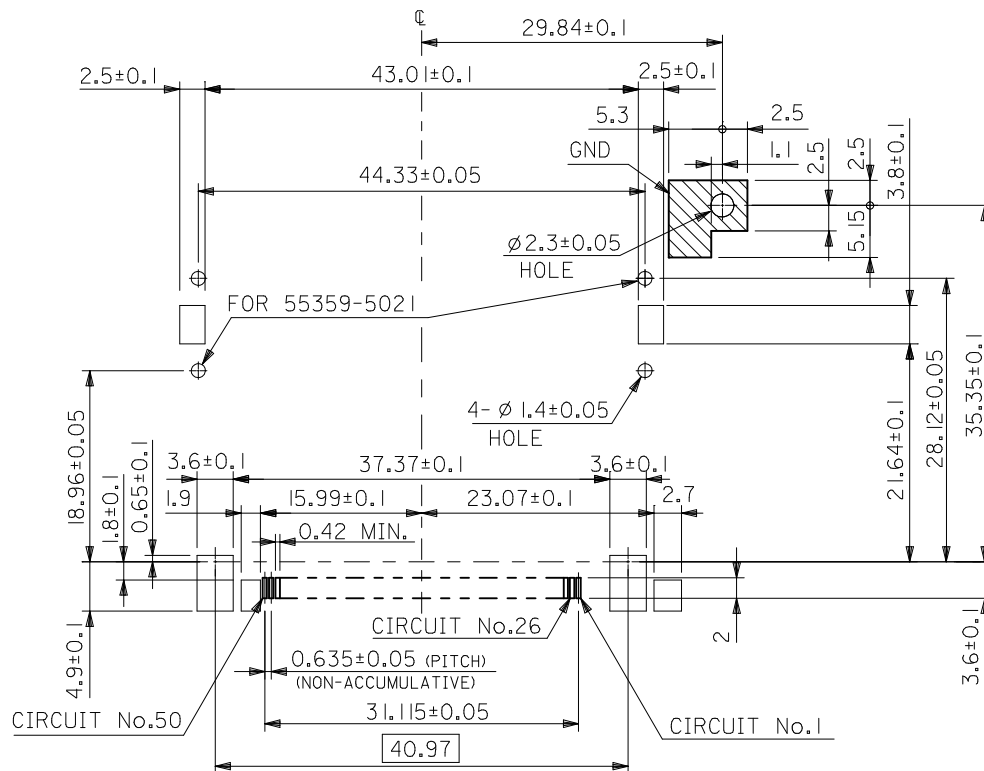


EJECT ASS'Y	55364-0011
MATERIAL No.	

REVISED EC NO.: J2014-0509 DRWN: YSEDA 2013/09/19 CHKD: ASHIMOTSU 2013/09/19 APPR: NUKITA 2013/10/01	GENERAL TOLERANCES (UNLESS SPECIFIED)		DIMENSION STYLE	SCALE	DESIGN UNITS	THIRD ANGLE PROJECTION CF CARD CONN. EJECT MECHANISM (TYPE I/II NORMAL) molex DOCUMENT NO. SD-55364-003 SHEET NO. 1 OF 3
			MM ONLY	2:1	METRIC	
	10 UNDER	±0.2	DRAWN BY	DATE	TITLE	
	10 OVER 30 UNDER	±0.25	THIRATA	1998/09/08		
		CHECKED BY	DATE			
30 OVER	±0.3	MSASAO	1998/09/08			
		APPROVED BY	DATE			
ANGULAR	±3 °	HIKESUGI	1998/09/08			
DRAFT WHERE APPLICABLE MUST REMAIN WITHIN DIMENSIONS		MATERIAL NO.	SEE TABLE			
		SIZE	THIS DRAWING CONTAINS INFORMATION THAT IS PROPRIETARY TO MOLEX INCORPORATED AND SHOULD NOT BE USED WITHOUT WRITTEN PERMISSION			
		A3				



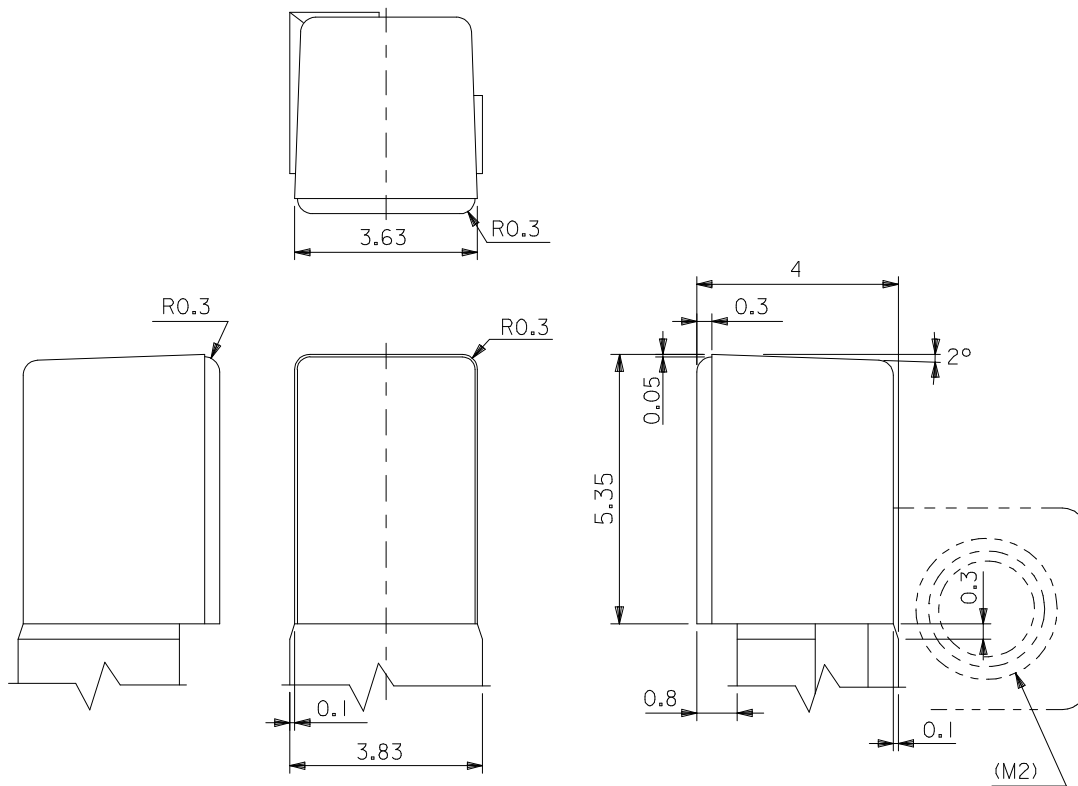
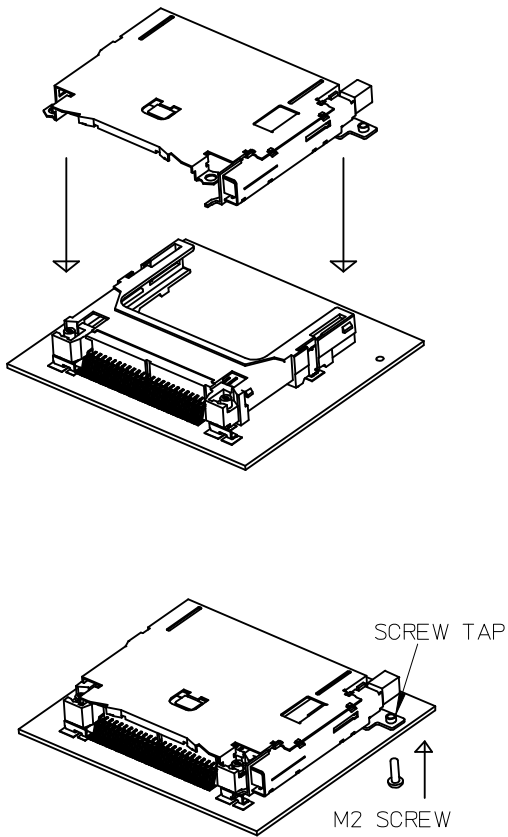
この図はすべて絶対寸法です。



基板推奨寸法
RECOMMENDED P.C.B. LAYOUT

REVISED EC NO: J2014-0509 DRWN:YSENA 2013/09/19 CHKD:ASHIMOTSU 2013/09/19 APPR:NUKITA 2013/10/01	GENERAL TOLERANCES (UNLESS SPECIFIED)		DIMENSION STYLE MM ONLY	SCALE 2:1	DESIGN UNITS METRIC	THIRD ANGLE PROJECTION
	10 UNDER	±0.2	DRAWN BY THIRATA	DATE 1998/09/08	TITLE CF CARD CONN. EJECT MECHANISM (TYPE I/II NORMAL)	
	10 OVER 30 UNDER	±0.25	CHECKED BY MSASAO	DATE 1998/09/08		
	30 OVER	±3	APPROVED BY HIKESUGI	DATE 1998/09/08		
ANGULAR	±3 °	MATERIAL NO.	SEE SHEET 1	DOCUMENT NO. SD-55364-003	SHEET NO. 2 OF 3	
DRAFT WHERE APPLICABLE MUST REMAIN WITHIN DIMENSIONS		SIZE A3	THIS DRAWING CONTAINS INFORMATION THAT IS PROPRIETARY TO MOLEX INCORPORATED AND SHOULD NOT BE USED WITHOUT WRITTEN PERMISSION			

MOUNTING METHOD



ボタン詳細寸法
DETAIL OF BUTTON

REVISED EC NO: J2014-0509 DRWN:YSEDA 2013/09/19 CHKD:ASHIMOTSU 2013/09/19 APPR:NUKITA 2013/10/01	GENERAL TOLERANCES (UNLESS SPECIFIED)		DIMENSION STYLE MM ONLY	SCALE 10:1	DESIGN UNITS METRIC	THIRD ANGLE PROJECTION
	10 UNDER	±0.2	DRAWN BY THIRATA	DATE 1998/09/08	TITLE CF CARD CONN. EJECT MECHANISM (TYPE I/II NORMAL)	
	10 OVER 30 UNDER	±0.25	CHECKED BY MSASAO	DATE 1998/09/08		
	30 OVER	±0.3	APPROVED BY HIKESUGI	DATE 1998/09/08		
DESCRIPTION	ANGULAR ±3 °	DRAFT WHERE APPLICABLE MUST REMAIN WITHIN DIMENSIONS	MATERIAL NO. SEE SHEET1	DOCUMENT NO. SD-55364-003	SHEET NO. 3 OF 3	
REV			SIZE A3	THIS DRAWING CONTAINS INFORMATION THAT IS PROPRIETARY TO MOLEX INCORPORATED AND SHOULD NOT BE USED WITHOUT WRITTEN PERMISSION		