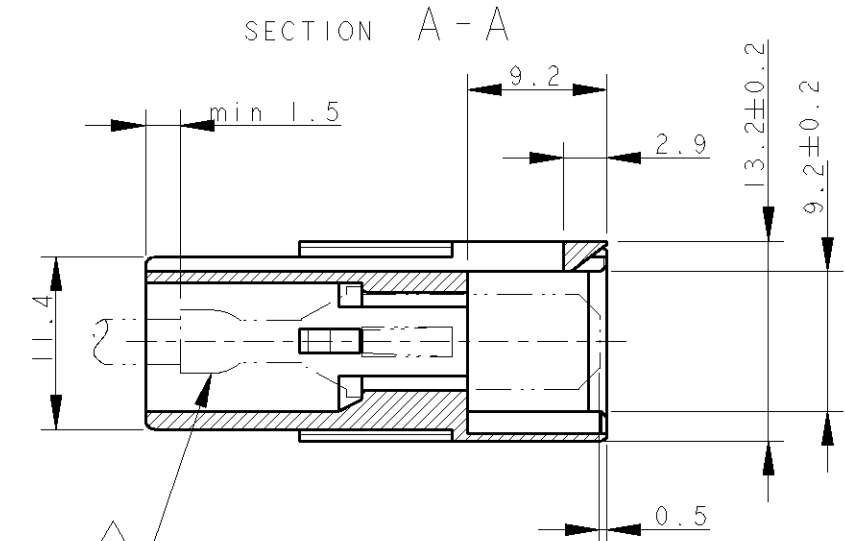
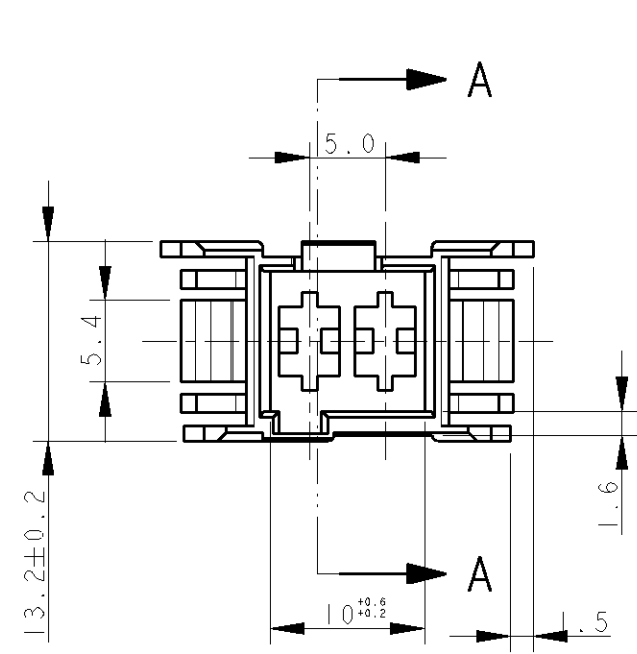


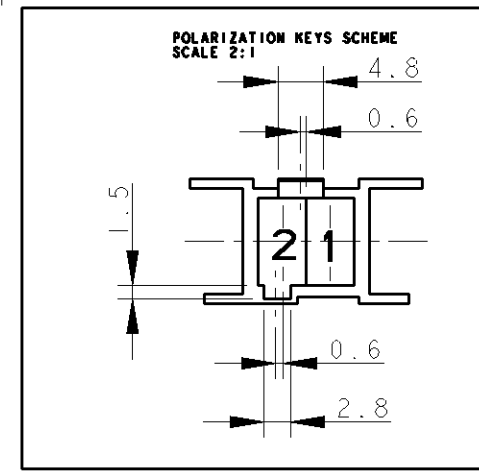
THIS DRAWING IS UNPUBLISHED. RELEASED FOR PUBLICATION 2004  
 © COPYRIGHT 2004 BY TYCO ELECTRONICS CORPORATION. ALL RIGHTS RESERVED.

| LOC | DIST | REVISIONS   |                           |             |      |    |
|-----|------|-------------|---------------------------|-------------|------|----|
| P   | LTR  | DESCRIPTION | DATE                      | DWN         | APVD |    |
| 1   | -    | A           | FIRST ISSUE, ET00-0142-04 | 24 JUN 2004 | HY   | GT |
|     |      | A1          | UPDATED, ET00-0201-04     | 19 OCT 2004 | CT   | GT |
|     |      | A2          | UPDATED, ET00-0031-05     | 01 FEB 2005 | HY   | GT |
|     |      | B           | RELEASED, ET00-0052-05    | 21 FEB 2005 | HY   | GT |



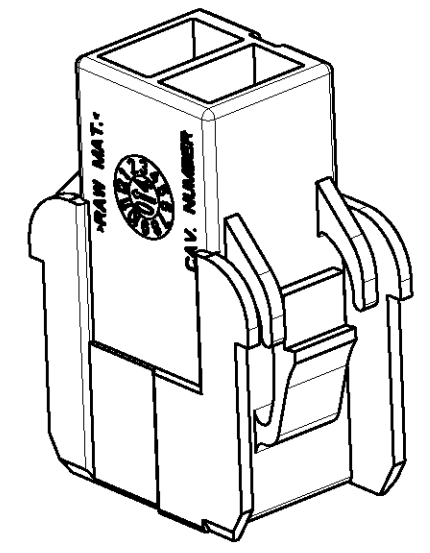
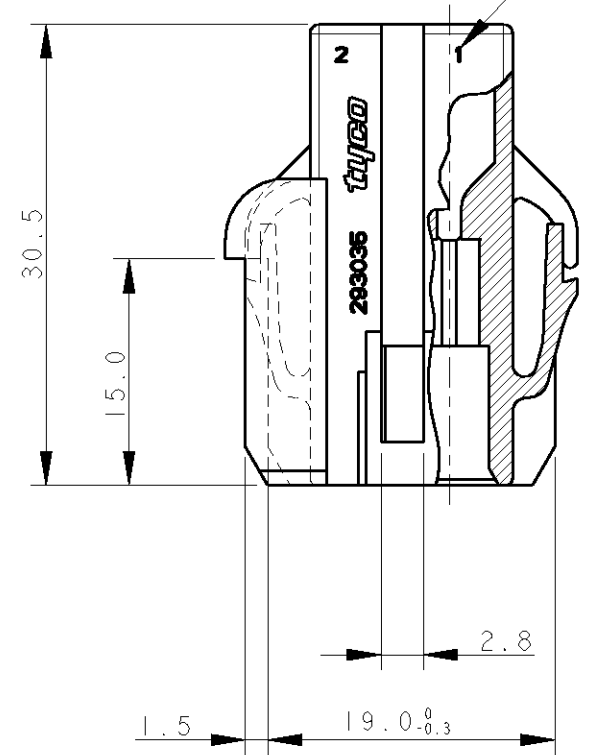
1 TYPICAL CAVITY SUITABLE FOR:  
 FASTIN-FASTON TAB CONTACTS 6.3 mm SRS:  
 P/N: 60294, 0.3-0.8 mm<sup>2</sup> WIRE RANGE  
 160691, 0.3-0.8 mm<sup>2</sup> WIRE RANGE  
 AMPLIVAR CONTACTS:  
 P/N: 141051, 0.1-0.5 mm<sup>2</sup> WIRE RANGE  
 142411, 0.3-1.6 mm<sup>2</sup> WIRE RANGE  
 MAX. INSULATION DIA. 2.8 mm,  
 MAX. INSULATION CRIMP WIDTH 3.3 mm.

2) PA6 UNFILLED, UL 94-V2, NATURE COLOUR, VIRGIN MATERIAL (750°C NO FLAME)  
 3) PA66 UNFILLED, UL 94-V2, NATURAL COLOUR, VIRGIN MATERIAL

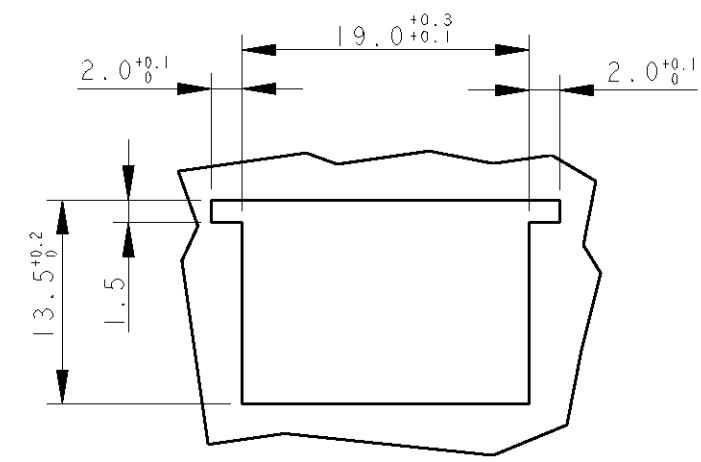


4 TYCO TRADEMARK "LOGO" AND TYCO ELECTRONICS "PART NUMBER" OPTIONAL POSITION.  
 5 CIRCUIT IDENTIFICATION NUMBERS, 1 TO 2  
 6 POLARIZATION KEYS DIMENSIONS AND POSITIONS ARE ACCORDING TO "RAST 5" NORM  
 SIMILAR TO P/N 1241969-2 and P/N 927742-2 AS POLARIZATION KEYS

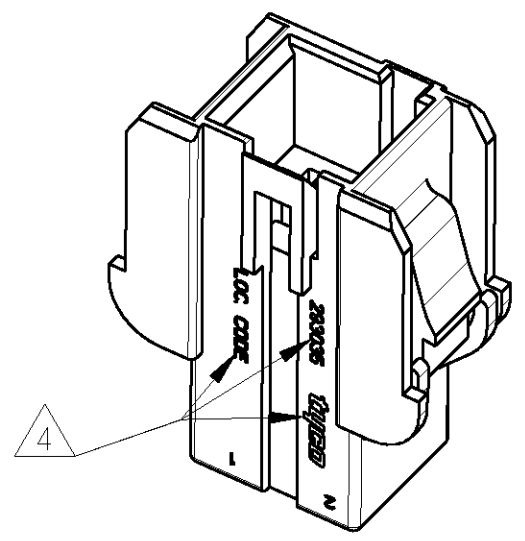
SECTION B-B



PANEL MOUNT DIMENSIONS  
 THICKNESS 0.8-1.0 mm



| COLORE (COLOUR)  | MATERIALE (MATERIAL)     | NUMERO (TYCO P/N) | REV |
|------------------|--------------------------|-------------------|-----|
| NATURALE (NATUR) | VEDI NOTA 3 (SEE NOTE 3) | 5-293035-2        | B   |
| NATURALE (NATUR) | VEDI NOTA 2 (SEE NOTE 2) | 0-293035-2        | B   |



THIS DRAWING IS A CONTROLLED DOCUMENT FOR TYCO ELECTRONICS CORPORATION IT IS SUBJECT TO CHANGE AND THE CONTROLLING ENGINEERING ORGANIZATION SHOULD BE CONTACTED FOR THE LATEST REVISION.

| DIMENSIONS: | TOLERANCES UNLESS OTHERWISE SPECIFIED: |
|-------------|--|
| mm          |  |
| 0 PLC       | ±                                      |
| 1 PLC       | ±0.3                                   |
| 2 PLC       | ±                                      |
| 3 PLC       | ±                                      |
| 4 PLC       | ±                                      |
| ANGLES      | ±1°                                    |
| MATERIAL    | SEE TABLE                              |
| FINISH      | -                                      |

|                  |            |
|------------------|------------|
| DWN              | 16JUN2004  |
| CHK              | A. Vecchia |
| APVD             | 16JUN2004  |
| APVD             | A. Vecchia |
| APVD             | G. Turco   |
| PRODUCT SPEC     | -          |
| APPLICATION SPEC | -          |
| WEIGHT           | -          |
| CUSTOMER DRAWING |            |

|   |           |   |               |
|---|-----------|---|---------------|
| <b>tyco</b> Electronics                                     |           | tyco Electronics AMP Italia S.p.A.<br>10093 Collegno TO |               |
| NAME<br>2 POS. FASTIN-FASTON Conn.<br>TAB HOUSING, "RAST 5" |           |   |               |
| SIZE  | CAGE CODE | DRAWING NO  | RESTRICTED TO |
| A3  | 00779     | C=293035  | -             |
| SCALE 2:1   |           | SHEET 1 OF 1  | REV B         |