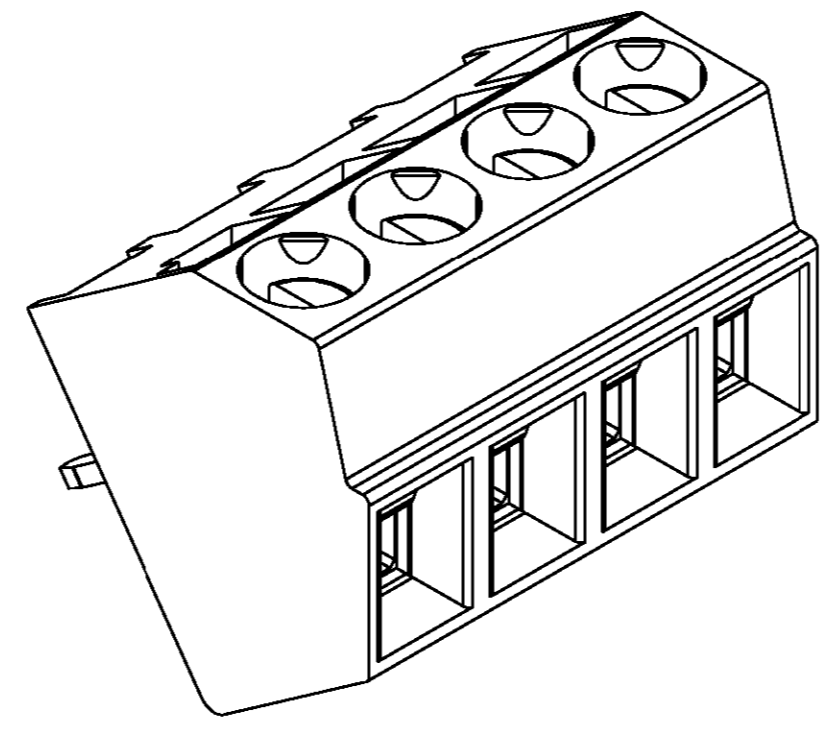
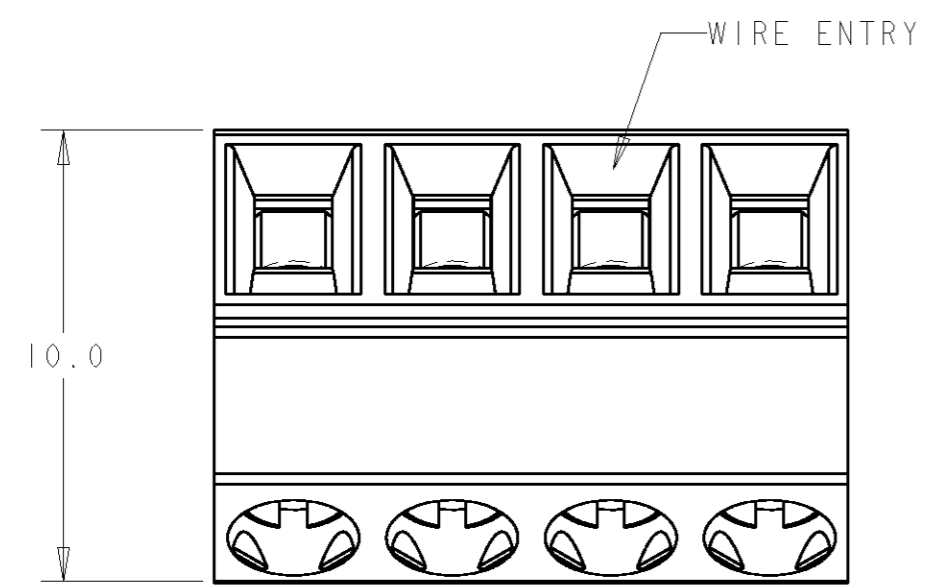


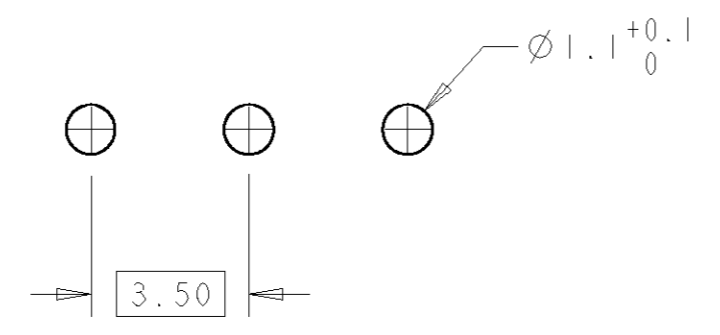
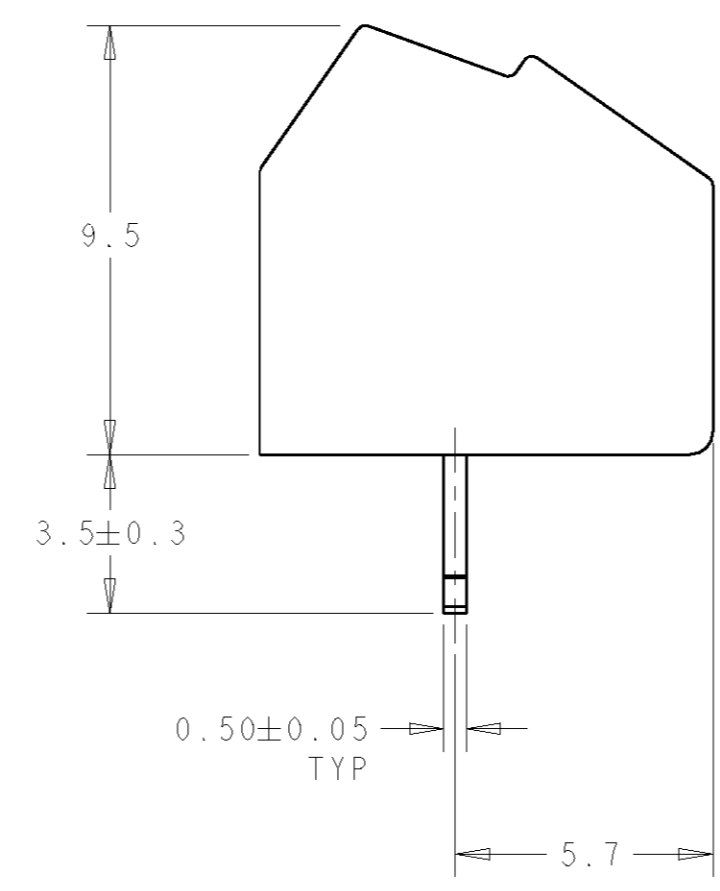
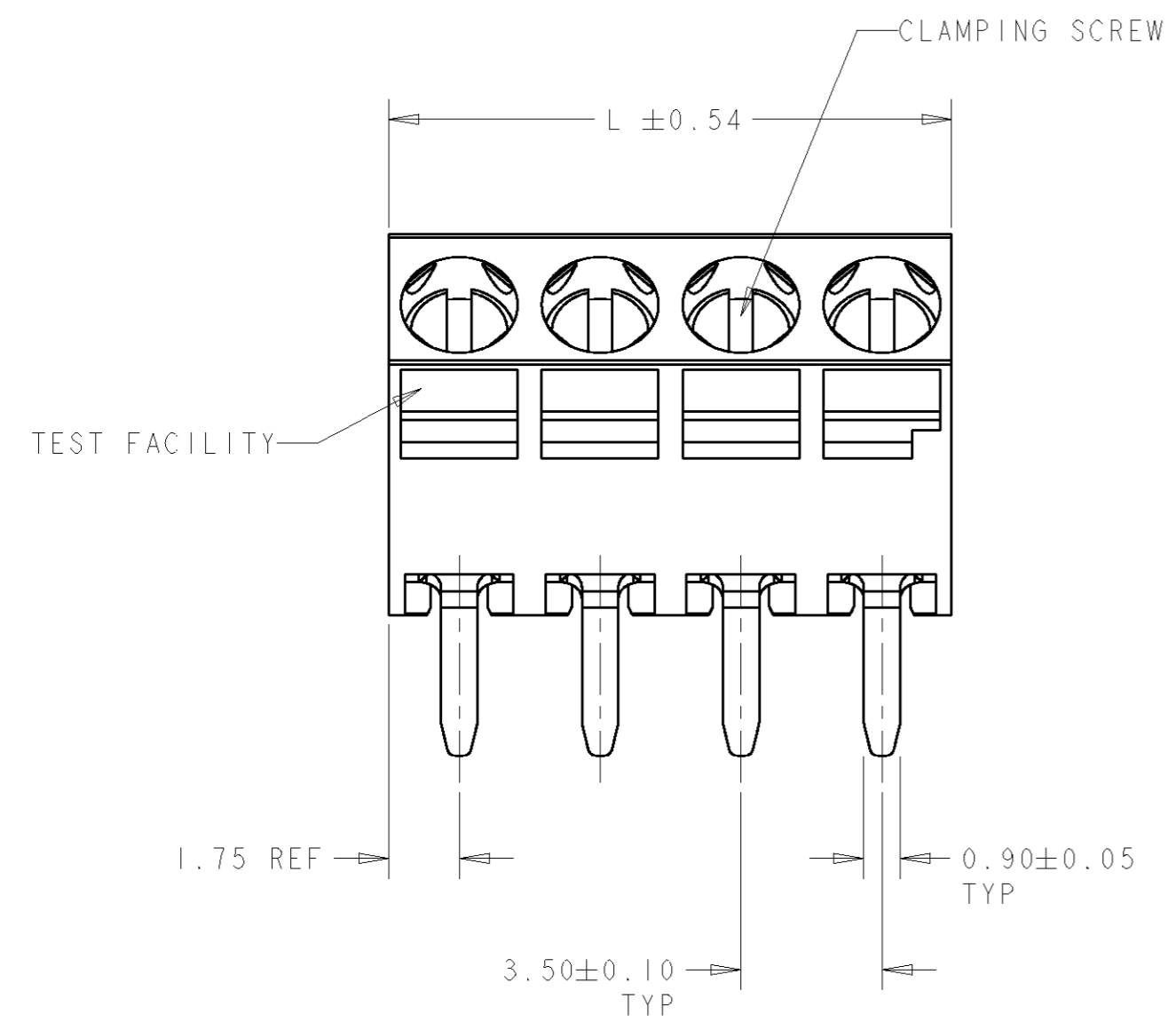
THIS DRAWING IS UNPUBLISHED. RELEASED FOR PUBLICATION 20
 © COPYRIGHT 20 BY TYCO ELECTRONICS CORPORATION. ALL RIGHTS RESERVED.

LOC	DIST	REVISIONS					
FT	0	P	LTR	DESCRIPTION	DATE	DWN	APVD
		O		RELEASED	21APR2003	SW	CR
		A		REVISED EC 0G3B-0652-04	13AUG2004	SW	CR



1. MATERIALS AND FINISH:
 HOUSING: PA 6-6, UL 94 VO-RATED, COLOR: GREEN.
 TERMINAL: COPPER ALLOY, TIN PLATED.
 CLAMP: COPPER ALLOY, NICKEL PLATED.
 CLAMPING SCREW: COPPER ALLOY, NICKEL PLATED.
2. WIRE SIZE RANGE: 16-30 AWG.
3. CURRENT RATING: 12A, 300V
 OPERATING TEMPERATURE: -40°C TO +110°C
4. SUITABLE FOR 2.4mm MAX PC BOARD THICKNESS.

1546556-4 AS SHOWN



RECOMMENDED PC BOARD LAYOUT

63.00	18	1-1546556-8
59.50	17	1-1546556-7
56.00	16	1-1546556-6
52.50	15	1-1546556-5
49.00	14	1-1546556-4
45.50	13	1-1546556-3
42.00	12	1-1546556-2
38.50	11	1-1546556-1
35.00	10	1-1546556-0
31.50	9	1546556-9
28.00	8	1546556-8
24.50	7	1546556-7
21.00	6	1546556-6
17.50	5	1546556-5
14.00	4	1546556-4
10.50	3	1546556-3
7.00	2	1546556-2
L	NO OF POSN	PART NUMBER

THIS DRAWING IS A CONTROLLED DOCUMENT FOR TYCO ELECTRONICS CORPORATION. IT IS SUBJECT TO CHANGE AND THE CONTROLLING ENGINEERING ORGANIZATION SHOULD BE CONTACTED FOR THE LATEST REVISION.		DWN	21APR2003
DIMENSIONS:		CHK	21APR2003
mm	TOLERANCES UNLESS OTHERWISE SPECIFIED:	APVD	21APR2003
	0 PLC ±	PRODUCT SPEC	
	1 PLC ±0.2	APPLICATION SPEC	
	2 PLC ±0.25	WEIGHT	
	3 PLC ±0.000	CUSTOMER DRAWING	
	4 PLC ±0.000		
MATERIAL	FINISH		

Tyco Electronics		Harrisburg, PA 17105-3608	
BUCHANAN			
NAME: TERMINAL BLOCK, ANGLED ENTRY, 55 DEGREE, STACKABLE, 3.5mm PITCH			
SIZE	CAGE CODE	DRAWING NO	RESTRICTED TO
A2	00779	1546556	-
SCALE	SHEET	OF	REV
6:1	1	1	A