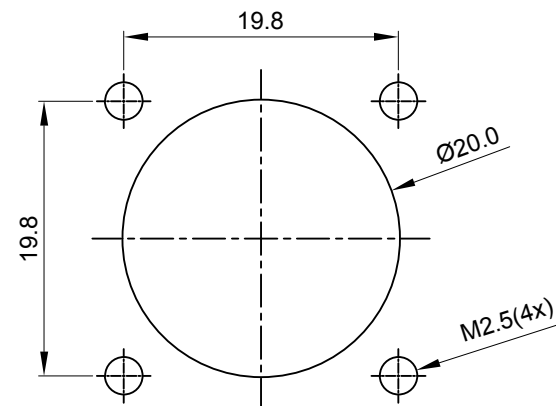
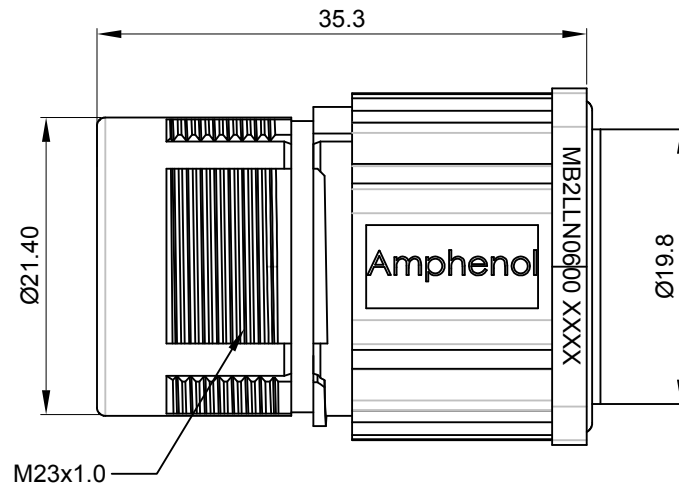
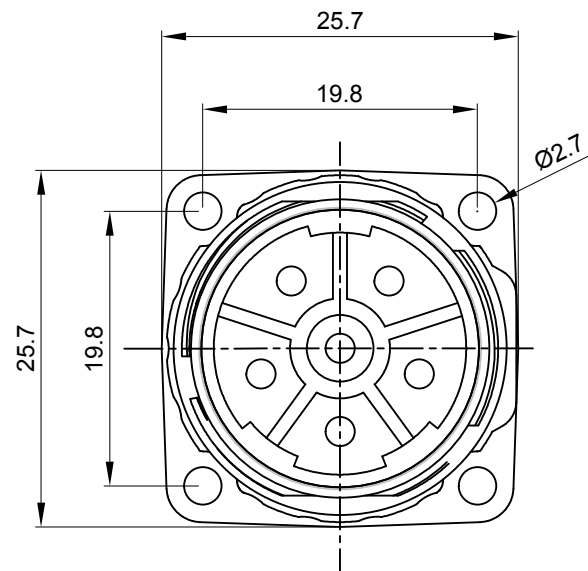
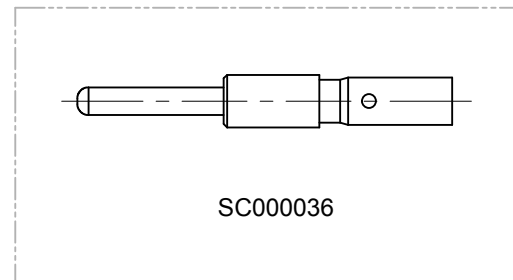


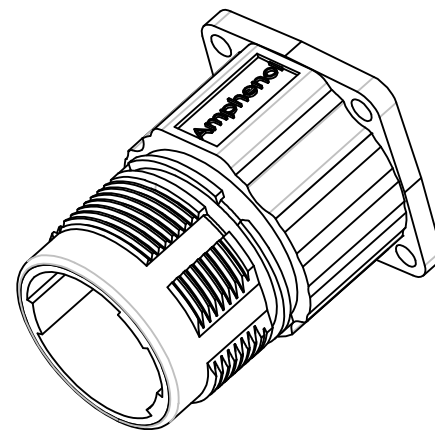
| REVISIONS | | | | | |
|-----------|-----|---------------|-------------|-------|-------|
| REV | ECO | DESCRIPTION | DATE | BY | APPR |
| A1 | - | FIRST RELEASE | Jun.27,2015 | Drack | Tommy |



MOUNTING HOLE



SC000036



NOTES: UNLESS OTHERWISE SPECIFIED

- MATERIAL:
 - HOUSING BODY: ZINC DIE CAST, NICKEL PLATED
 - INSULATION INSERT: PA66,UL94 V0
 - CONTACT: COPPER ALLOY, GOLD PLATED
 - SEAL: VITON
- SPECIFICATIONS:
 - CURRENT RATING: 28 AMPS
 - VOLTAGE RATING: 630V AC/DC
 - OPERATING TEMPERATURE: -20°C TO +130°C
 - DIELECTRIC WITHSTANDING VOLTAGE: LESS THAN 2 MILLIAMPS CURRENT LEAKAGE @ 6000 VOLTS AC.
 - DEGREE OF PROTECTION: IP67 (MATED CONDITION)
 - DEGREE OF POLLUTION: 3 PER UL840
 - OVERVOLTAGE CATEGORY: III PER UL840
 - MATING CYCLE DURABILITY: >500 CYCLES
 - RoHS COMPLIANT
- AVAILABLE WIRE RANG: 14AWG TO 18AWG
- CONTACTS EXTRACTION TOOL: 50-54931-2
- ALL DIMENSIONS ARE FOR REFERENCE USE ONLY.

| QUANTITY | PART NUMBER | DESCRIPTION | ITEM |
|----------|-----------------------|--------------------|------|
| 6 | SC000036 | PIN CONTACT,Ø2.0MM | |
| 1 | MB2LLN0600 | CONNECTOR | |
| | SEE PART NUMBER CHART | | |

| MATERIALS LIST | | | |
|---|------|----------------|--------------|
| SIGNATURES | | DATE | |
| DRAWN: Drack | | Jun.27,2015 | |
| CHECKED: | | | |
| ENGINEER: | | | |
| APPROVAL: | | | |
| CUSTOMER: | | | |
| MATERIAL SPECIFICATIONS: | | | |
| PROCESS SPECIFICATIONS: | | | |
| NEXT ASSY: | | | |
| <p>UNLESS OTHERWISE SPECIFIED</p> <p>1) All dimensions are in metric(mm).</p> <p>2) Tolerances are as follows:</p> <p>1 PL DEC ±0.30 Fractions ±1/64</p> <p>2 PL DEC ±0.15 Angles ±1°</p> <p>3 PL DEC ±0.08</p> <p>3) Note reference = \triangle x</p> | | | |
| <p>THIS DRAWING IS SUPPLIED FOR INFORMATION ONLY. DESIGN FEATURES, SPECIFICATIONS AND PERFORMANCE DATA SHOWN HEREON ARE THE PROPERTY OF THE AMPHENOL CORPORATION. NO RIGHTS OF REPRODUCTION ARE IMPLIED. ALL DIMENSIONS ARE SUBJECT TO NORMAL MANUFACTURING VARIATIONS.</p> | | | |
| SIZE | TYPE | DWG NO: | REVISION |
| B | C- | MB2LLN0600-KIT | A1 |
| SCALE | NONE | | SHEET 1 OF 1 |

TITLE: KIT:M23,B SERIES,RECEPTACLE,6 POS.,2.0mm PIN CONTACT
 DWG NO: MB2LLN0600-KIT
 REV: A1
 SH: 1
 OF: 1