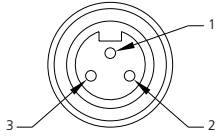
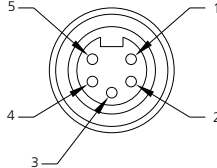




# Single-Ended Cordsets

**AUTOMOTIVE**

#16 AWG yellow ST00W cable – auto color code  
 Oil-resistant PVC jacket  
 Low-resistance contact design with gold/palladium nickel plating

	3P	5P
FEMALE FACE VIEW		
COLOR CODE	1- green-gnd 2- red w/ #2 3- red w/ #3	1- red w/ #1 2- red w/ #2 3- green-gnd 4- red w/ #4 5- red w/ #5
VOLTAGE	600V AC/DC	600V AC/DC
CURRENT	13A	8A
CONDUCTOR	#16-3	#16-5

FEMALE	FIG	SINGLE-ENDED CORDSETS WITH #16 AWG ST00W CABLE 3 FEET LONG	
STRAIGHT	1	103000A02F030	105000A02F030
90°	2	103001A02F030	105001A02F030
MATING RECEPTACLE*	5	1R3006A24A120	1R5006A24A120
MALE	FIG	SINGLE-ENDED CORDSETS WITH #16 AWG ST00W CABLE 3 FEET LONG	
STRAIGHT	3	103002A02F030	1R5002A02F030
90°	4	103003A02F030	1R5003A02F030
MATING RECEPTACLE*	5	1R3004A24A120	1R5004A24A120

## CATALOG OPTIONS

\*See Page 62 for additional Mating Receptacles

Use the following chart to modify your part's specifications

103000A02F0301

**CABLE LENGTH**

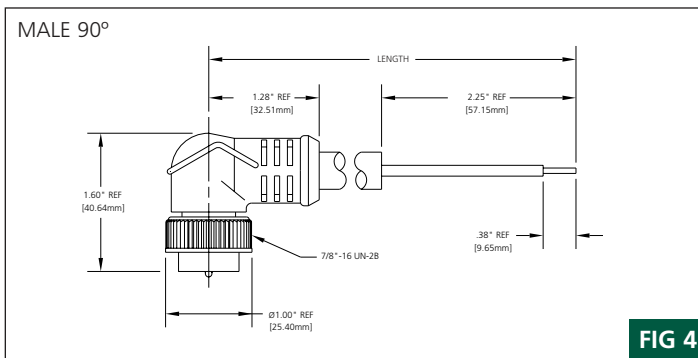
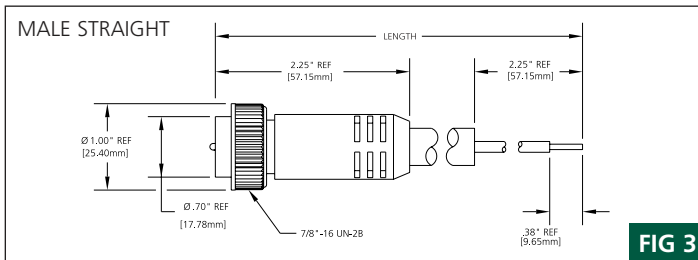
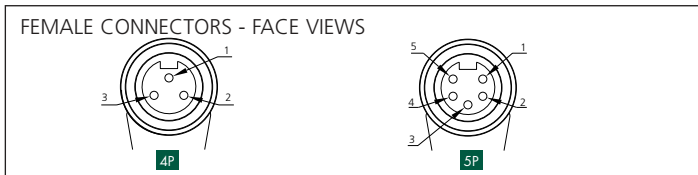
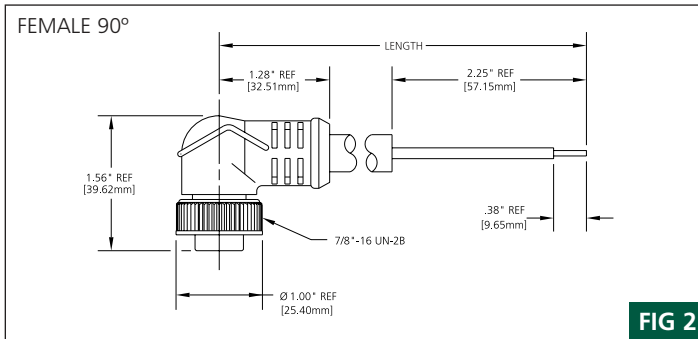
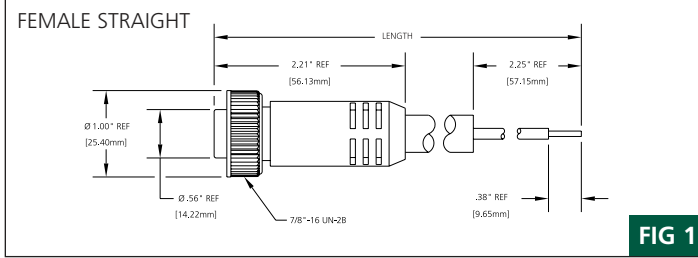
6'	060
12'	120
20'	200

**COUPLING NUT**

STAINLESS STEEL	ADD 1
NON-METALLIC	ADD 2

# Specifications

## CONNECTOR DIMENSIONS



- MECHANICAL**  
 CONNECTOR FACE: PVC - UL STD 94 - V0  
 MOLDED BODY: PVC - UL STD 94 - V0  
 COUPLING NUT: ZINC DIECAST W/ BLACK EPOXY COAT, OPTIONAL STAINLESS STEEL TYPE 303 OR NON-METALLIC GRAY NYLON 6/6
- CABLE:** YELLOW, #16 AWG, PVC JACKET & PVC CONDUCTOR INSULATION OVER 65 X #34 COPPER STRANDING, 600V, UL ST00W, CSA ST
- OUTSIDE DIAMETER:**  
 3P - .41" (10.4mm)  
 5P - .50" (12.7mm)
- ELECTRICAL**  
 VOLTAGE RATING: 600 V AC/DC  
 AMPERAGE: 3P - 13A  
 5P - 8A
- ENVIRONMENTAL**  
 PROTECTION: IP 68, NEMA 6P  
 AMBIENT OPERATING TEMP: -4° TO 221° F (-20° TO 105° C)
- CERTIFICATIONS**  
 UL: UL RECOGNIZED, FILE NO. E46237  
 CSA: CSA CERTIFIED, FILE NO. LR6837

## RECEPTACLE DIMENSIONS

MALE STRAIGHT WITH 1/2" - 14NPT THREADS  
 FEMALE STRAIGHT WITH 1/2" - 14NPT THREADS  
 SEE PAGE 62 FOR ADDITIONAL RECEPTACLES

