



Output coupler Optocoupler 1 NO, Transistor, 24 V DC Output max. 30 V DC, 5 A short circuit-proof with M-0-A switch Spring-type terminal (push-in)
Overall width 6.2 mm Thermal current 5A

| | |
|---------------------------------------------------------------------------------------------------------------|---------------------------------------------------------|
| product brand name | SIRIUS |
| product category | SIRIUS 3RQ3 coupling relays in slim design |
| product designation | Coupling relays with semiconductor output (not plug-in) |
| design of the product | Output coupling link |
| product type designation | 3RQ3 |
| General technical data | |
| display version LED | Yes |
| product component | No |
| • relay output | No |
| • semi-conductor output | Yes |
| consumed active power | 0.3 W |
| insulation voltage for overvoltage category III according to IEC 60664 with degree of pollution 3 rated value | 50 V |
| surge voltage resistance rated value | 2.5 kV |
| protection class IP | IP20 |
| shock resistance | |
| • acc. to IEC 60068-2-27 | sinusoidal half-wave 15g / 11 ms |
| vibration resistance | |
| • acc. to IEC 60068-2-6 | 6 ... 150 Hz: 2 g |
| switching frequency | 100 Hz |
| thermal current | 5 A |
| reference code acc. to IEC 81346-2 | K |
| Control circuit/ Control | |
| control supply voltage at DC | |
| • rated value | 11 ... 30 V |
| operating range factor control supply voltage rated value at DC | |
| • initial value | 1 |
| • full-scale value | 1 |
| switch ON delay time | |
| • at DC maximum | 0.2 ms |
| OFF delay time | 0.3 ms |
| product component plug-in socket | No |
| Auxiliary circuit | |
| type of switching contact | NO contact |
| number of NO contacts for auxiliary contacts | 1 |
| Main circuit | |
| type of voltage | DC |

| Inputs/ Outputs | |
|-------------------------------------------------------------------------------------------------------------------------------------------------------------------------------------------------------------------------------------------------------------------------------------------------------------------------------------------------------------------------------------------------------------------------------------------------------------------------------------------------------------------------------------------------------------------------|-----------------------------------------------------------------------------------------------------------------------------------------------------|
| property of the output short-circuit proof | Yes |
| Outputs | |
| ampacity of the semiconductor output at DC | 5 mA ... 5 A |
| Electromagnetic compatibility | |
| EMC emitted interference acc. to IEC 60947-1 | ambience A (industrial sector) |
| EMC immunity acc. to IEC 60947-1 | corresponds to degree of severity 3 |
| conducted interference | |
| <ul style="list-style-type: none"> • due to burst acc. to IEC 61000-4-4 • due to conductor-earth surge acc. to IEC 61000-4-5 • due to conductor-conductor surge acc. to IEC 61000-4-5 | 2 kV 2 kV 1 kV |
| field-based interference acc. to IEC 61000-4-3 | 10 V/m |
| electrostatic discharge acc. to IEC 61000-4-2 | 6 kV contact discharge / 8 kV air discharge |
| Display | |
| display version as status display by LED | LED green |
| Connections/ Terminals | |
| product function removable terminal | No |
| type of electrical connection for auxiliary and control circuit | spring-loaded terminals (push-in) |
| wire length | |
| <ul style="list-style-type: none"> • at DC maximum | 1 000 m |
| type of connectable conductor cross-sections | |
| <ul style="list-style-type: none"> • solid • finely stranded with core end processing • finely stranded without core end processing • at AWG cables solid • at AWG cables stranded | 1x (0.25 ... 2.5 mm ²) 1x (0.25 ... 1.5 mm ²) 1x (0.25 ... 2.5 mm ²) 1 x (20 ... 14) 1x (20 ... 14) |
| <ul style="list-style-type: none"> • connectable conductor cross-section solid • connectable conductor cross-section finely stranded with core end processing • connectable conductor cross-section finely stranded without core end processing | 0.25 ... 2.5 mm ² 0.25 ... 1.5 mm ² 0.25 ... 2.5 mm ² |
| <ul style="list-style-type: none"> • AWG number as coded connectable conductor cross section solid • AWG number as coded connectable conductor cross section stranded | 20 ... 14 20 ... 14 |
| Installation/ mounting/ dimensions | |
| mounting position | any |
| fastening method | snap-on mounting |
| height | 93 mm |
| width | 6.2 mm |
| depth | 75 mm |
| required spacing | |
| <ul style="list-style-type: none"> • with side-by-side mounting <ul style="list-style-type: none"> — forwards — backwards — upwards — downwards — at the side • for grounded parts <ul style="list-style-type: none"> — forwards — backwards — upwards — at the side — downwards • for live parts <ul style="list-style-type: none"> — forwards — backwards | 0 mm 0 mm 0 mm 0 mm 0 mm 0 mm 0 mm 0 mm 0 mm 0 mm 0 mm 0 mm |

| | |
|---------------|------|
| — upwards | 0 mm |
| — downwards | 0 mm |
| — at the side | 0 mm |

Ambient conditions

| | |
|----------------------------------------------------------------------------------------------------------------------------------------------------------------------------------------|----------------------------------------------------|
| installation altitude at height above sea level maximum | 2 000 m |
| <ul style="list-style-type: none"> • ambient temperature during operation • ambient temperature during storage • ambient temperature during transport | -25 ... +60 °C -40 ... +85 °C -40 ... +85 °C |
| relative humidity during operation | 10 ... 95 % |

Certificates/ approvals

| | | |
|--------------------------|-----|---------------------------|
| General Product Approval | EMC | Declaration of Conformity |
|--------------------------|-----|---------------------------|



[Miscellaneous](#)

| | | |
|---------------------------|-------------------|-------|
| Declaration of Conformity | Marine / Shipping | other |
|---------------------------|-------------------|-------|



[Confirmation](#)

Further information

Information- and Downloadcenter (Catalogs, Brochures,...)

<https://www.siemens.com/ic10>

Industry Mall (Online ordering system)

<https://mall.industry.siemens.com/mall/en/en/Catalog/product?mlfb=3RQ3065-2SM30>

Cax online generator

<http://support.automation.siemens.com/WW/CAXorder/default.aspx?lang=en&mlfb=3RQ3065-2SM30>

Service&Support (Manuals, Certificates, Characteristics, FAQs,...)

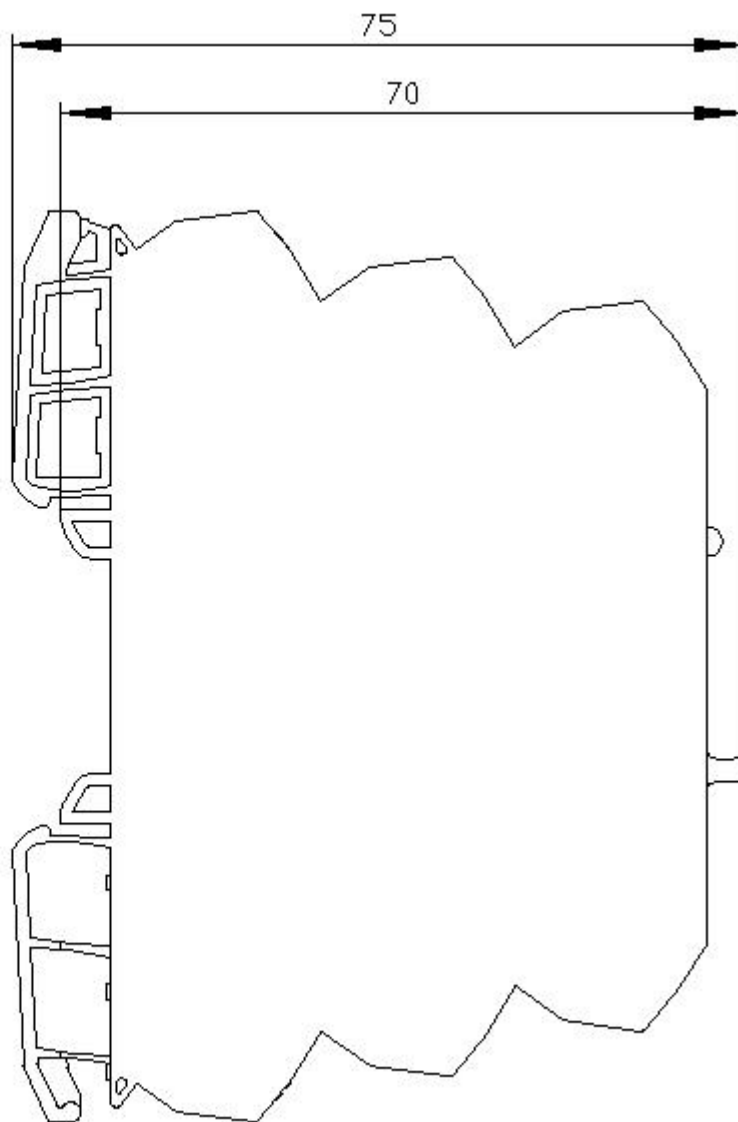
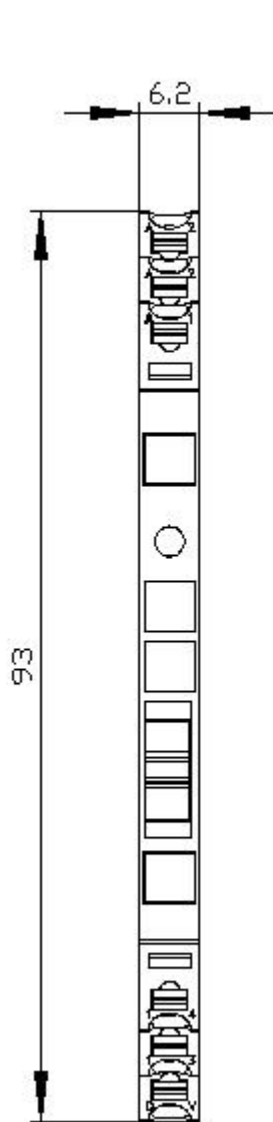
<https://support.industry.siemens.com/cs/ww/en/ps/3RQ3065-2SM30>

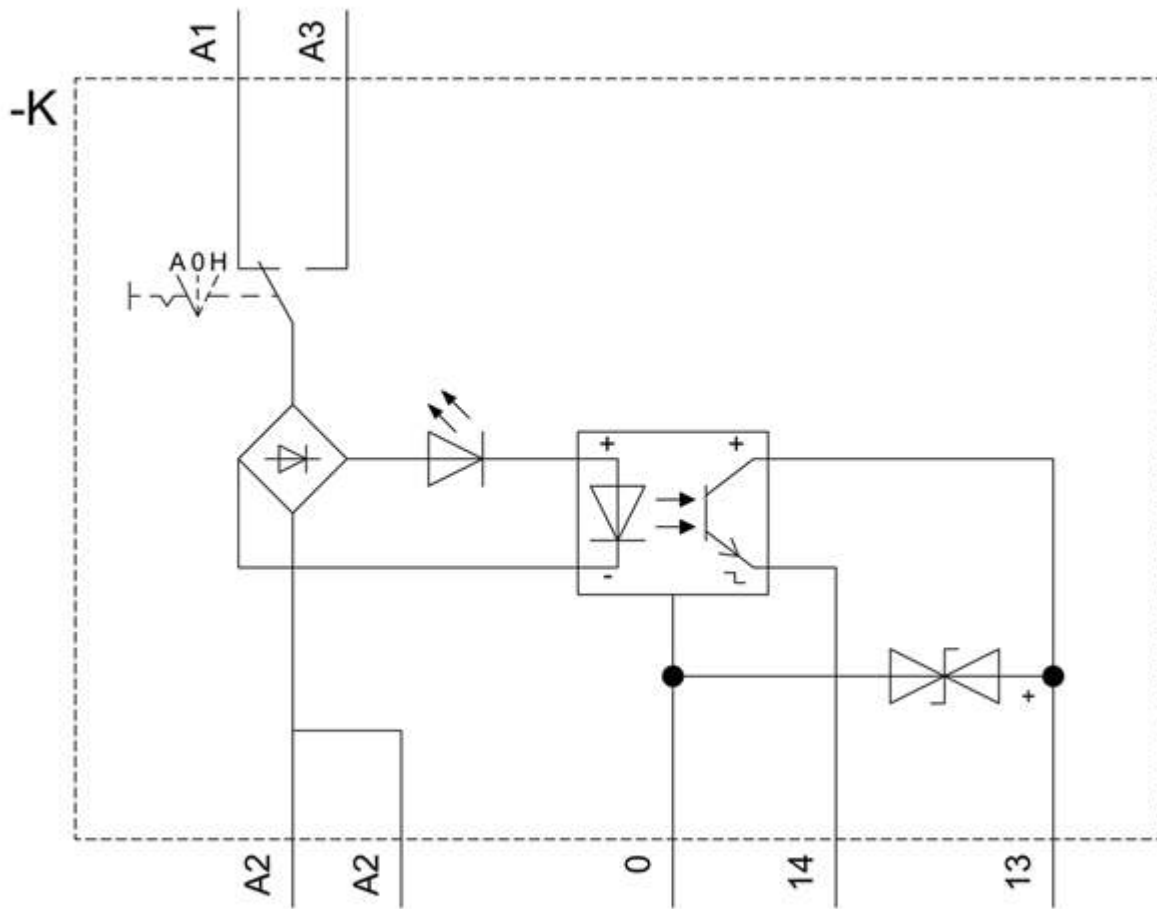
Image database (product images, 2D dimension drawings, 3D models, device circuit diagrams, EPLAN macros, ...)

http://www.automation.siemens.com/bilddb/cax_de.aspx?mlfb=3RQ3065-2SM30&lang=en

Characteristic: Derating

<https://support.industry.siemens.com/cs/ww/en/ps/3RQ3065-2SM30/manual>





last modified:

8/11/2020 [↗](#)