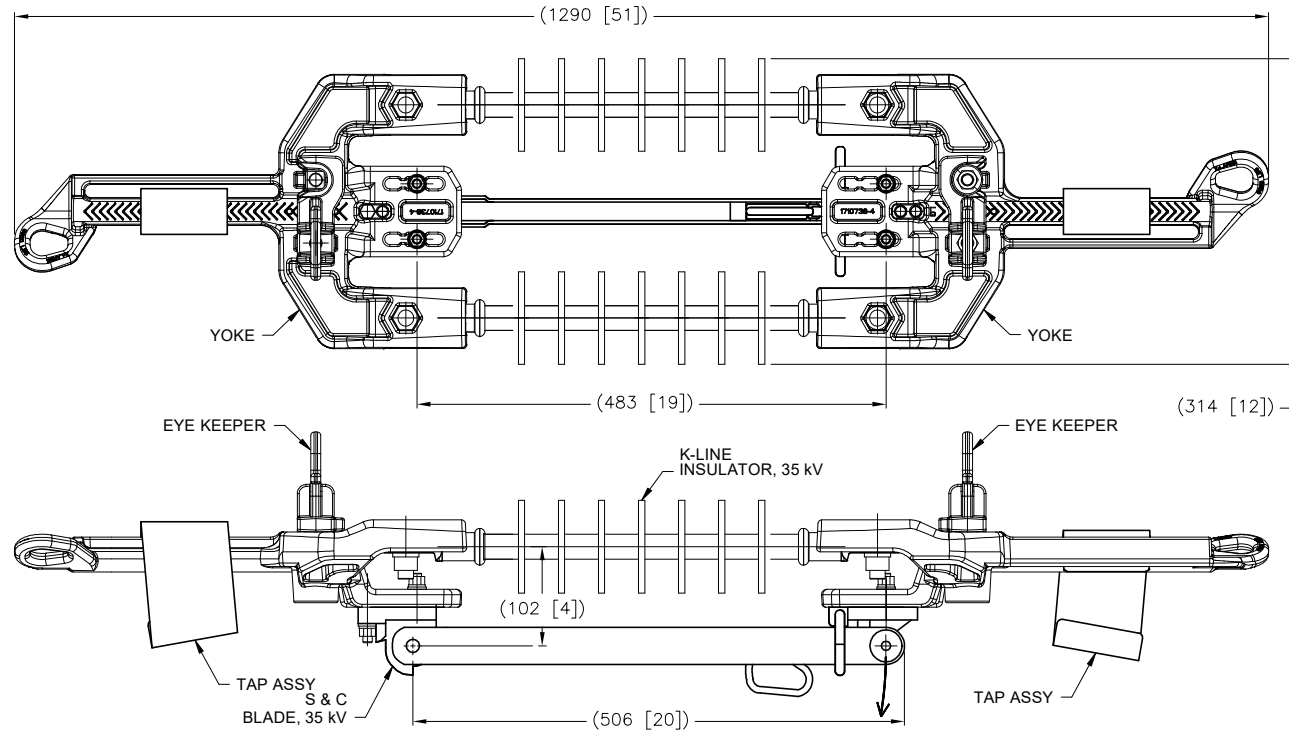


THIS DRAWING IS UNPUBLISHED. RELEASED FOR PUBLICATION
 © COPYRIGHT - By - ALL RIGHTS RESERVED.

C	LC20-0031-16 / ECO-16-005675	14APR2016	DM	BJ
D	LC20-0085-16 / ECO-16-011010	21JUL2016	DM	BJ
E	LC20-0060-19 / ECO-19-010173	29JUN2019	DM	BJ
F	LC20-0114-19 / ECO-19-016005	05NOV2019	DM	BJ

REVISIONS				
#	L/R	DESCRIPTION	DATE	BY
A1		LC20-0056-12 / ECO-12-010512	28MAY2012	DM BJ
B		LC20-0094-13 / ECO-13-014496	09SEP2013	DM BJ
B1		LC20-0156-14 / ECO-14-018379	08DEC2014	JG BJ



40,000 AMPERE RMS, ASYMMETRICAL	25,000 AMPERE RMS, SYMMETRICAL	900 AMPERE RMS	60 HERTZ	200 kV	35 kV AC
MOMENTARY CURRENT	THREE SECOND CURRENT	CONTINUOUS CURRENT ALLOWABLE RATING: (PER ANSI C37-32.3.2.1 2002)	FREQUENCY	BASIC IMPULSE INSULATION LEVEL (BIL)	VOLTAGE
SHORT TIME CURRENT					
RATINGS					

#2 (6/1) 1/0 (6/1) 2/0 (6/1)	#2 1/0 2/0	X-SMALL	1-83843-4	1-1710731-3
-	556.5 COMPACT/STD	LARGE	83843-9	1-1710731-2
336.4 (18/1)	336.4 COMPACT	SMALL	83843-8	1-1710731-1
954 (45/7), (24/7), (54/7), 1033.5 (45/7), (54/7)	1033.5 1113.0	XX-LARGE	1-83843-3	1-1710731-0
795 (24/7) (26/7), (30/7), (30/19), (54/7)	954	X-LARGE	1-83843-1	1710731-9
605 (30/19) 636 (26/7) (24/7), (30/19) 666.6 (24/7) (26/7)	715.5, 750, 795	X-LARGE	83843-6	1710731-8
477.0 (30/7) 556.5 (24/7) (26/7), (30/7) 605 (24/7) (26/7) 636 (18/1) (36/1)	600, 636, 650, 700	X-LARGE	83843-5	1710731-7
477.0 (26/7) 556.5 (18/1)	556.5	LARGE	83843-4	1710731-6
397.5 (18/1) (24/7), (26/7) (30/7) 477.0 (18/1)	450, 477, 500	LARGE	83843-3	1710731-5
266.8 (26/7) 336.4 (18/1) (26/7), (30/7)	397.5 336.4, 350	SMALL	83843-2	1710731-4
266.8 (18/1)	266.8	SMALL	83843-1	1710731-3
3/0 (6/1) 4/0 (6/1)	4/0	SMALL	83843-7	1710731-2
1/0 (6/1) 2/0 (6/1)	1/0 2/0	X-SMALL	1-83843-0	1710731-1
ACSR	AAC	YOKE SIZE IN ILD ASSEMBLY	REPLACEMENT TAP P/N	PART NO.

1. BODY STRENGTH: 10,000 lbs.
PULLING EYE STRENGTH: 6000 lbs.
2. FOR INLINE DISCONNECT SWITCH ASSEMBLY W/O TAPS, REFER TO 1710730-X SERIES PART NUMBERS.
3. 1710731-1 WILL BE REPLACED BY 1-1710731-3 IN THE FUTURE.

THIS DRAWING IS A CONTROLLED DOCUMENT.

DIMENSIONS:	TOLERANCES UNLESS OTHERWISE SPECIFIED:	DATE	12FEB2010
mm [INCHES]	0 PLC ±	CHK	D. MURUGIAH
	1 PLC ±	CHK	S. KAMEL
	2 PLC ±	DATE	29MAR2010
	3 PLC ±	NAME	B. JOHNSON
	4 PLC ±	PRODUCT SPEC	
	ANGLES ±	APPLICATION SPEC	
MATERIAL	FINISH	SIZE	A2
		WEIGHT	0
		CAGE CODE	00779
		DRAWING NO	1710731
		CUSTOMER DRAWING	
		SCALE	NTS
		SHEET	1 of 1
		REV	F

TE TE Connectivity
 INLINE DISCONNECT SWITCH ASSEMBLY WITH TAPS, AMPACT, 35 kV, 900 Amp