

**SAW Filter 867.50MHz**

**Model: TA1735A**

**Part No: MP06050**

**Rev No: 1**

**A. MAXIMUM RATING:**

Electrostatic Sensitive Device (ESD)

1. Input Power Level: 10dBm
2. DC voltage: 3V
3. Operating Temperature: -30°C to +80°C
4. Storage Temperature: -40°C to +95°C

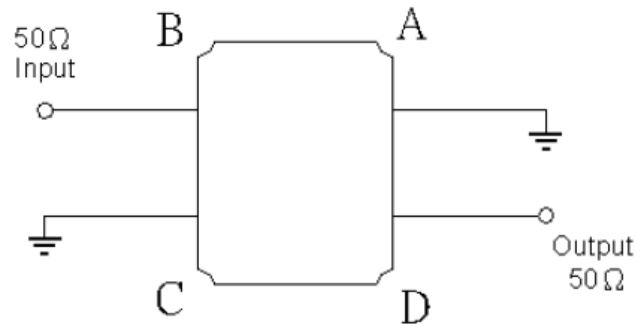
**B. ELECTRICAL CHARACTERISTICS:**

Item	Unit	Min.	Typ.	Max.
Center frequency Fc	MHz	-	867.5	-
Insertion loss (860 ~ 875MHz) IL	dB	-	2.2	3.5
Amplitude ripple (860 ~ 875MHz)	dB	-	0.3	1.5
VSWR (860 ~ 875MHz)	-	-	1.4	2
Attenuation (Reference level from 0dB)				
100 ~ 815MHz	dB	40	50	-
815 ~ 830MHz	dB	38	47	-
898 ~ 901MHz	dB	15	26	-
915 ~ 925MHz	dB	30	44	-
925 ~ 2330MHz	dB	28	41	-
2330 ~ 2000MHz	dB	20	33	-
Source impedance Z <sub>S</sub>	Ω	-	50	-
Load impedance Z <sub>L</sub>	Ω	-	50	-
Temperature Coefficient of Frequency	Ppm/°C	-	-36	-

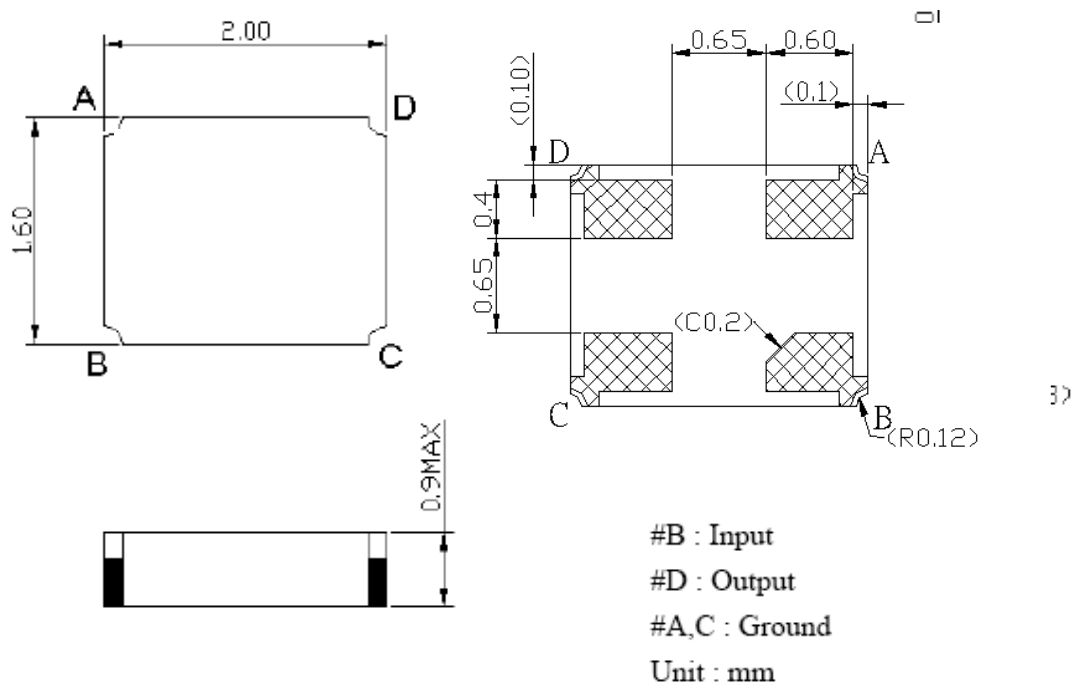
**SAW Filter 867.50MHz**  
**Part No: MP06050**

**Model: TA1735A**  
**Rev No: 1**

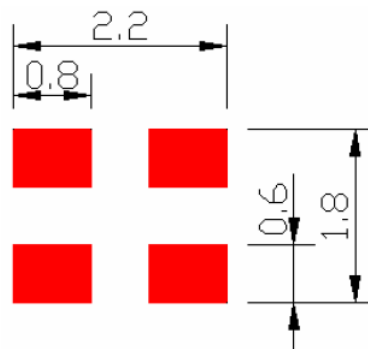
**C. MEASUREMENT CIRCUIT:**



**D. OUTLINE DRAWING:**



**E. PCB FOOTPRINT:**

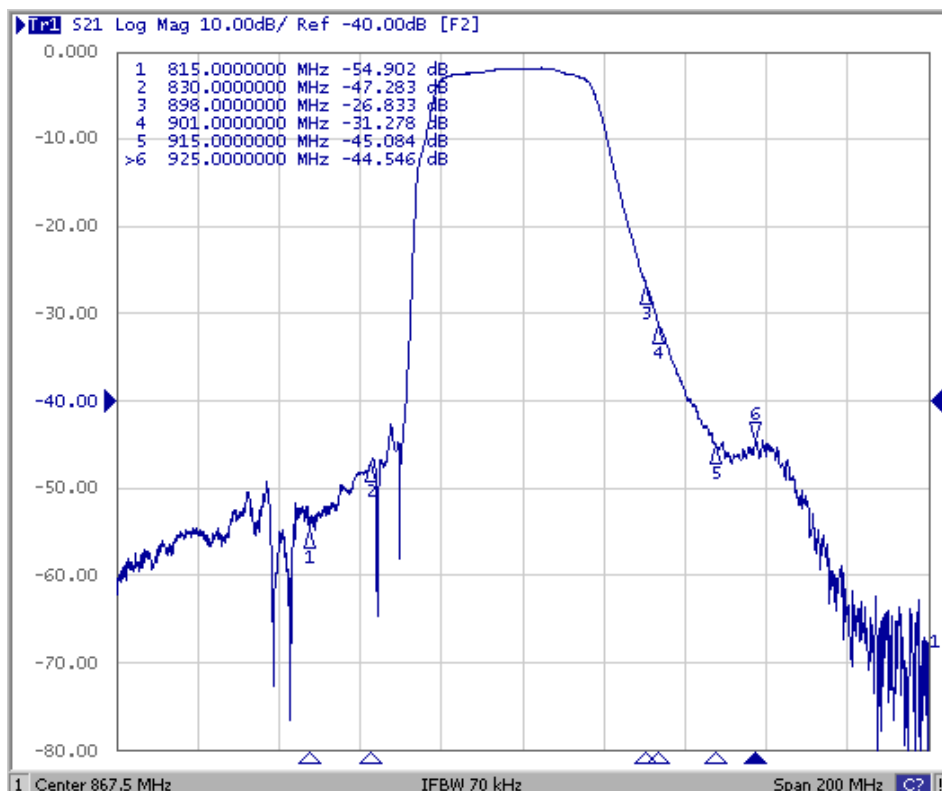
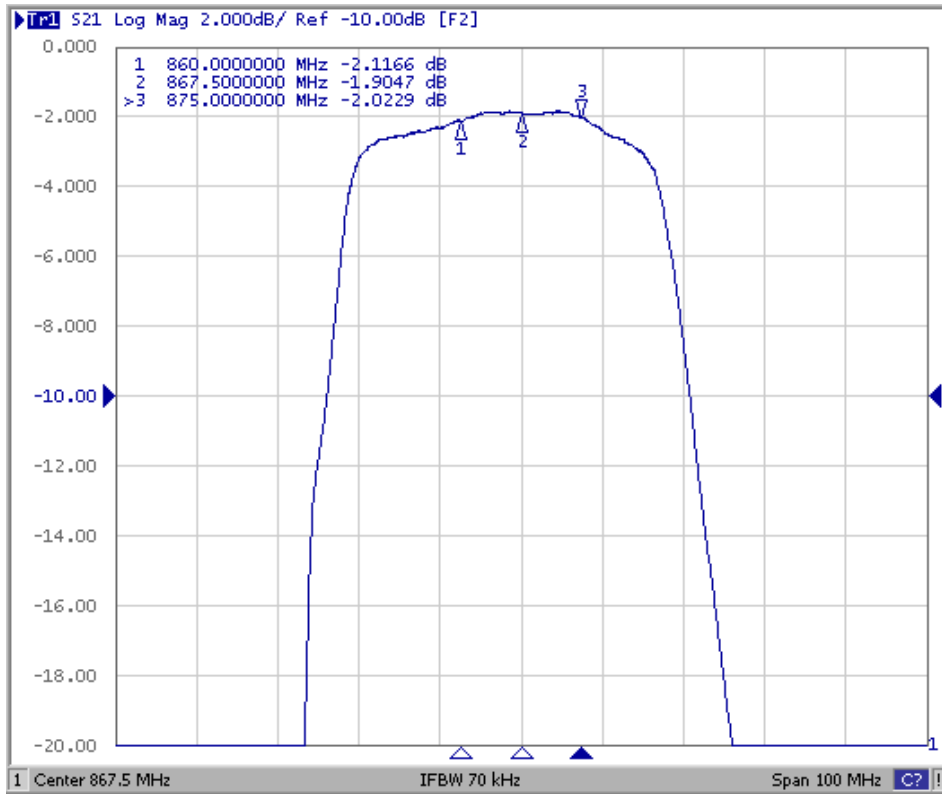


**SAW Filter 867.50MHz**  
**Part No: MP06050**

**Model: TA1735A**  
**Rev No: 1**

**F. FREQUENCY CHARACTERISTICS:**

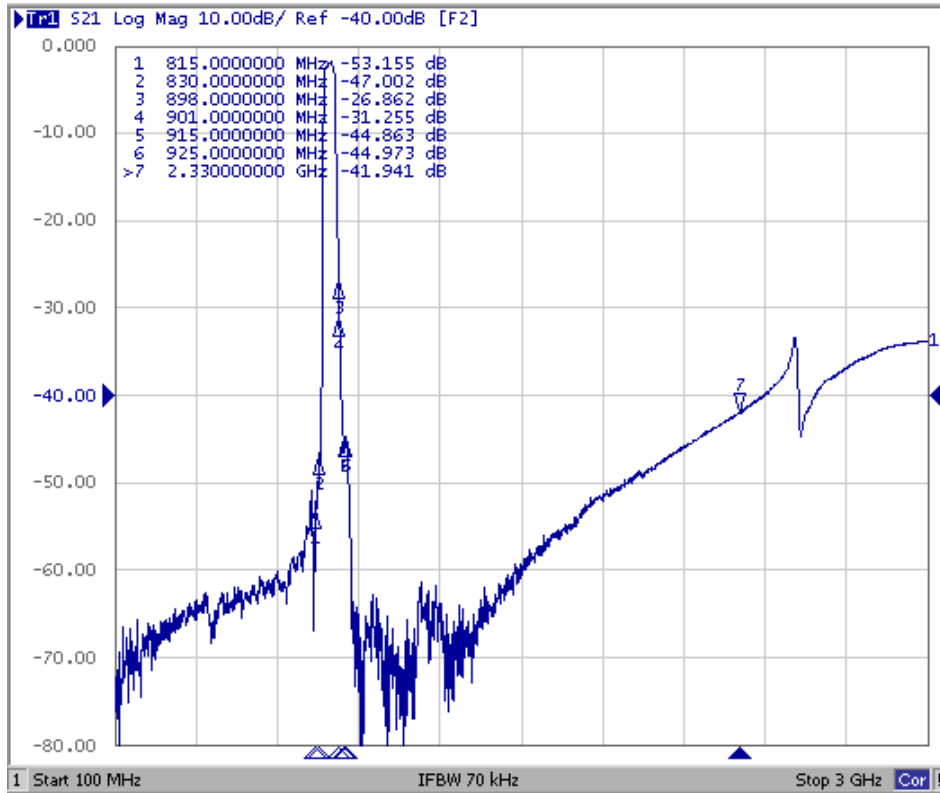
1. Transfer function



**SAW Filter 867.50MHz**  
**Part No: MP06050**

**Model: TA1735A**  
**Rev No: 1**

2. Wideband

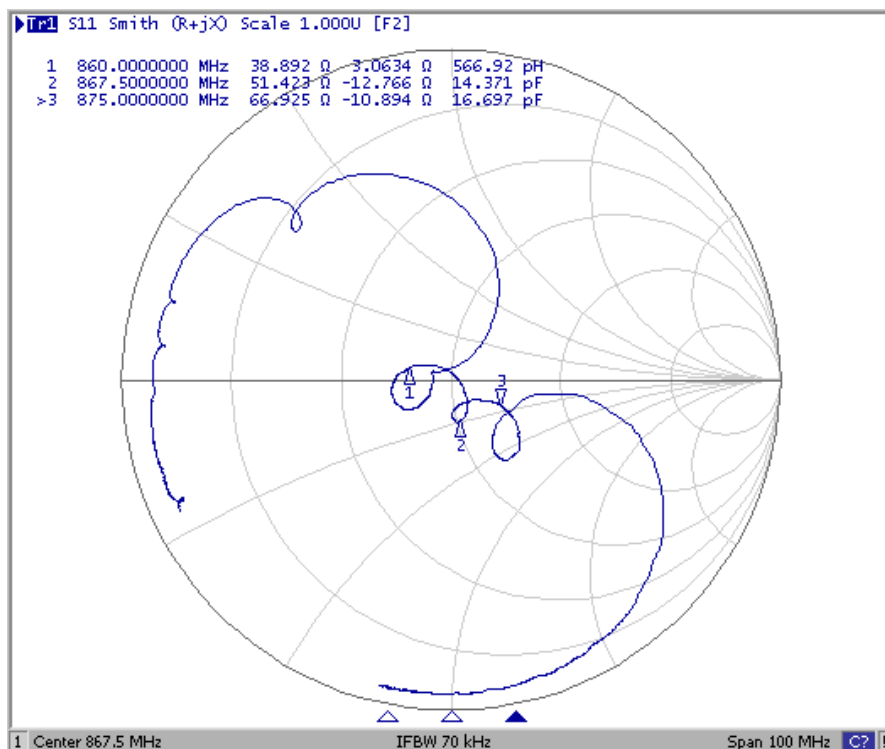
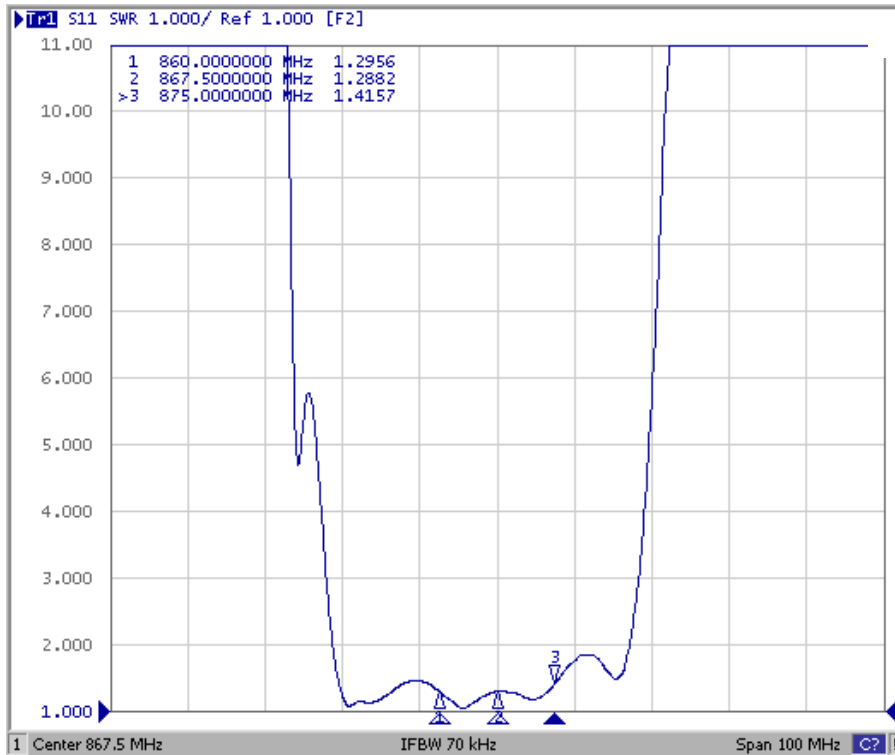


**SAW Filter 867.50MHz**  
**Part No: MP06050**

**Model: TA1735A**  
**Rev No: 1**

3. Reflections Functions

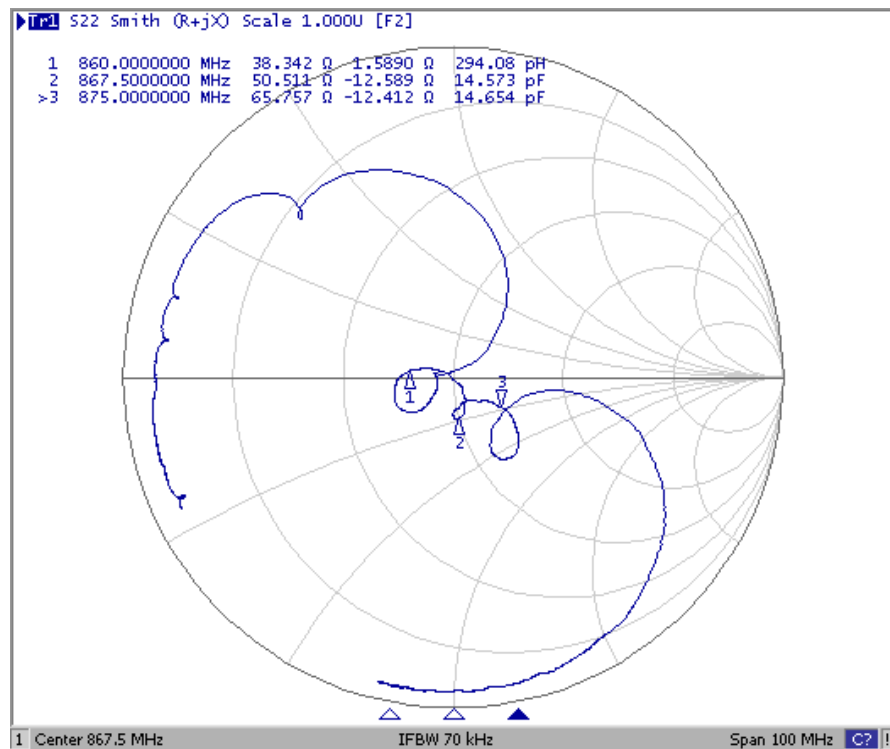
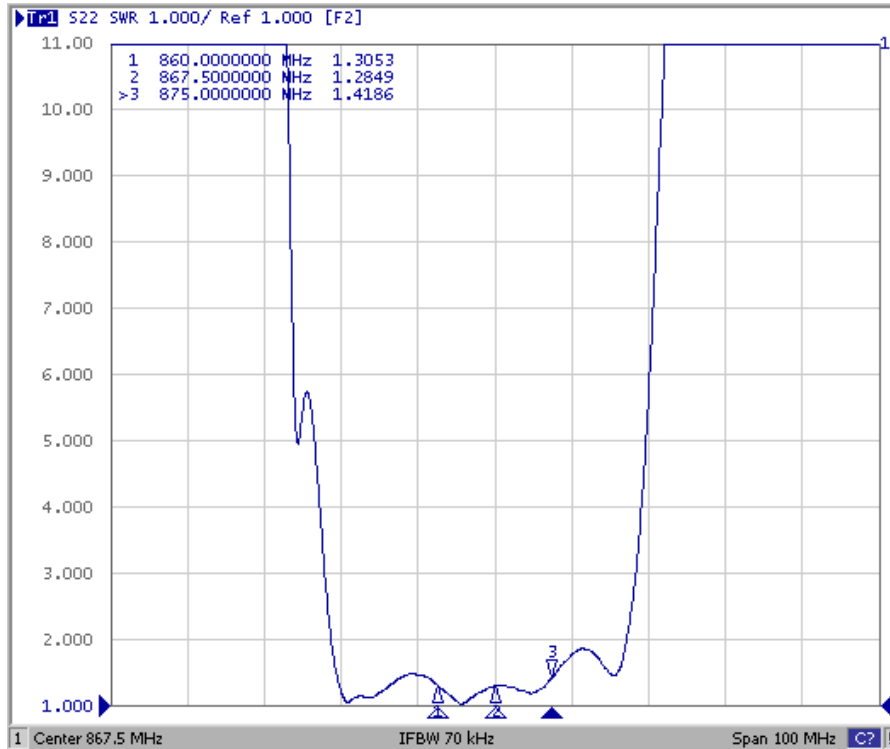
S11 VSWR



**SAW Filter 867.50MHz**  
**Part No: MP06050**

**Model: TA1735A**  
**Rev No: 1**

S22 VSWR

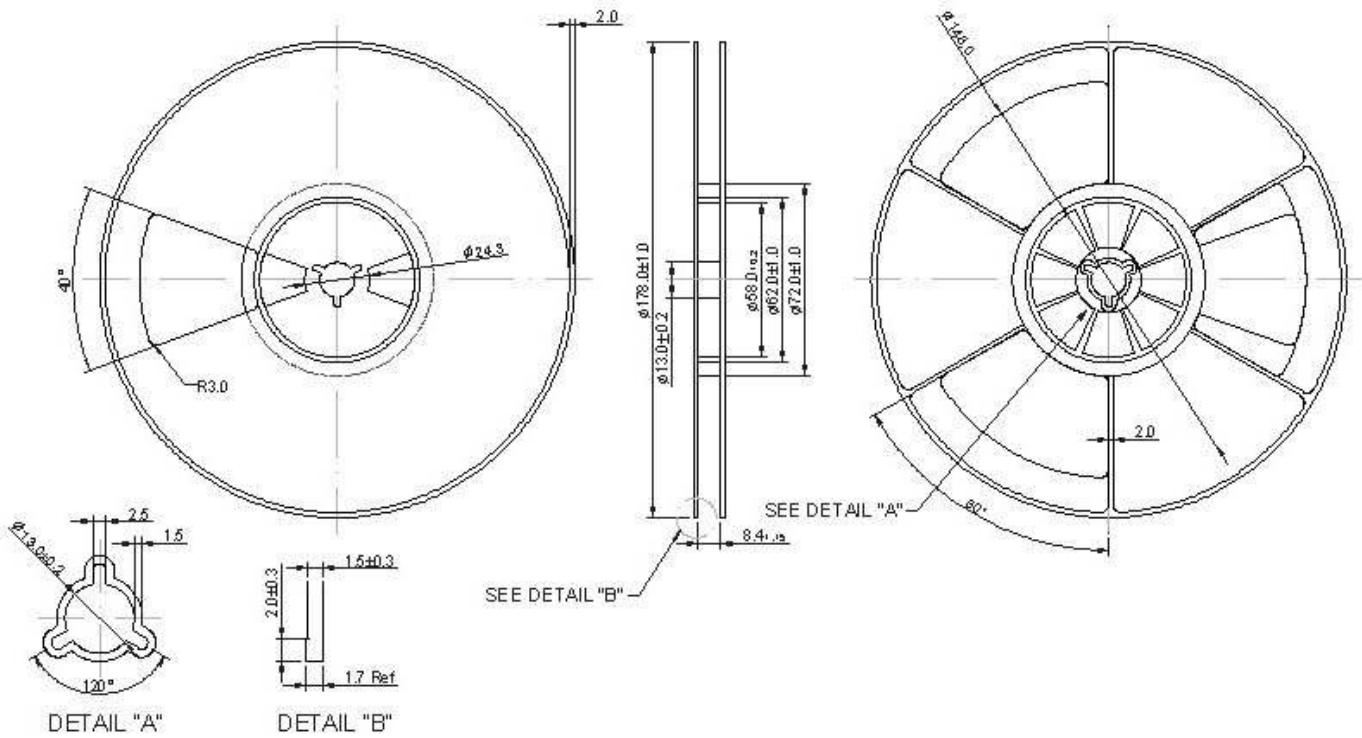


**SAW Filter 867.50MHz**  
**Part No: MP06050**

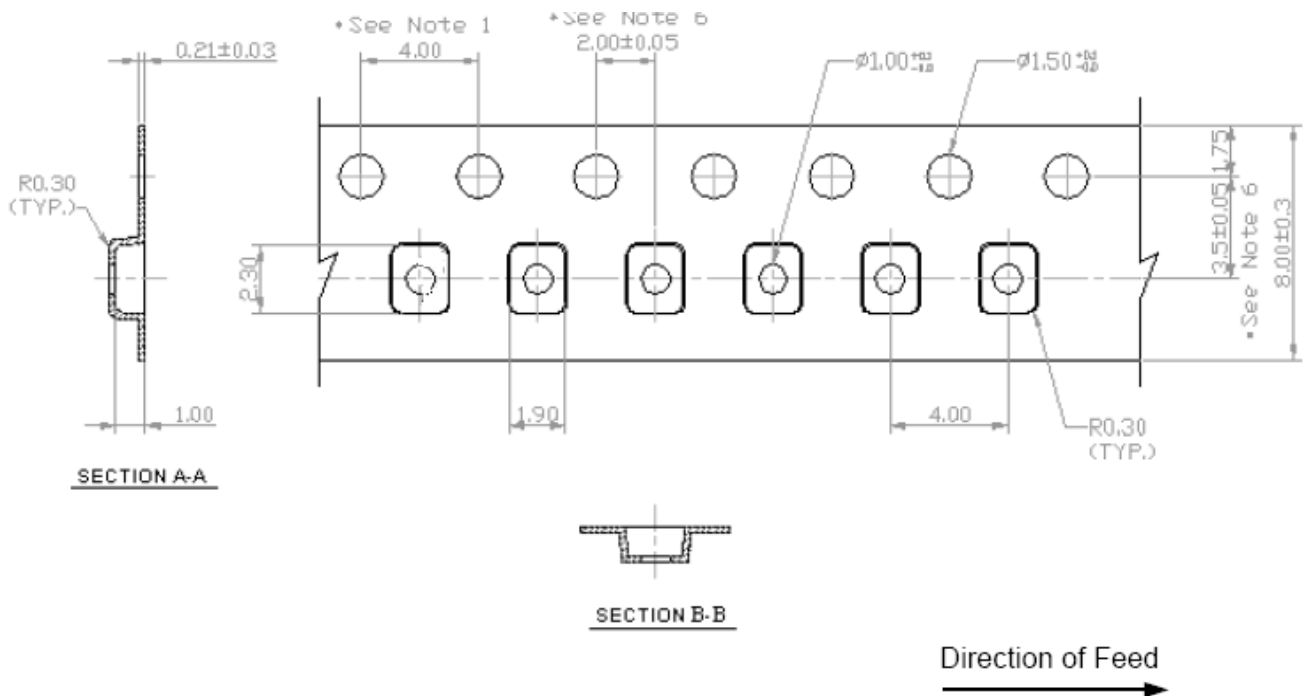
**Model: TA1735A**  
**Rev No: 1**

**G. PACKING:**

1. Reel Dimension (Please refer to FR-75D10 for packing quantity)



2. Tape Dimension



**SAW Filter 867.50MHz**  
**Part No: MP06050**

**Model: TA1735A**  
**Rev No: 1**

**H. RECOMMENDED REFLOW PROFILE:**

