

NOTES:

1. MATERIALS AND FINISHES:  
 BODY - BRASS, GOLD PLATING  
 CONTACT - BeCu, GOLD PLATING  
 INSULATOR - PTFE, NATURAL

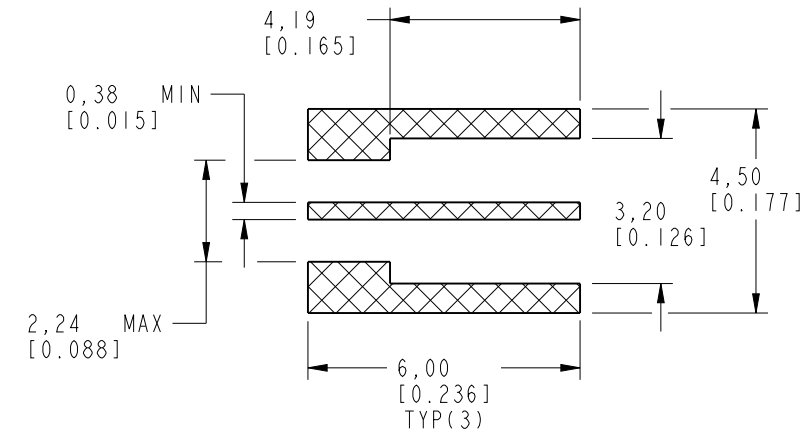
2. ELECTRICAL:  
 A. IMPEDANCE: 50 OHM  
 B. FREQUENCY RANGE: DC - 40 GHz  
 C. VSWR (RETURN LOSS): 1.15:1 MAX (23 dB MIN) @ DC-10 GHz  
 1.25:1 MAX (19 dB MIN) @ 10-26.5 GHz  
 1.35:1 MAX (17 dB MIN) @ 26.5-40 GHz  
 CONNECTOR ONLY, PERFORMANCE WILL VARY  
 BASED ON BOARD LAYOUT  
 D. DIELECTRIC WITHSTANDING VOLTAGE: 500 VRMS, MIN.  
 E. INSULATOR RESISTANCE: 5000 MEGAOHMS MIN  
 F. CONTACT RESISTANCE:  
 CENTER CONTACT: 6 MILLIOHM, MAX

3. MECHANICAL:  
 A. ENGAGEMENT FORCE: 2.5 LBS (11.12 N) MAX.  
 B. DISENGAGEMENT FORCE: 1.5 LBS (6.67 N) MIN.  
 C. CONTACT RETENTION: 1.5 LBS (6.67 N) MIN AXIAL FORCE.  
 D. DURABILITY: 100 CYCLES MIN.  
 E. TEMPERATURE RANGE: -65°C TO +165°C

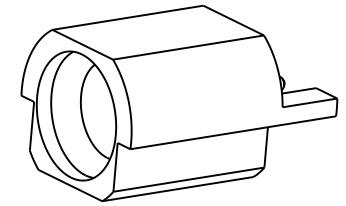
5. PACKAGING:  
 A. QUANTITY: SINGLE PACK  
 B. MARKING: BAG TO BE MARKED  
 "AMPHENOL RF, 925-169J-51P, AND DATE CODE"

THIRD ANGLE PROJ.

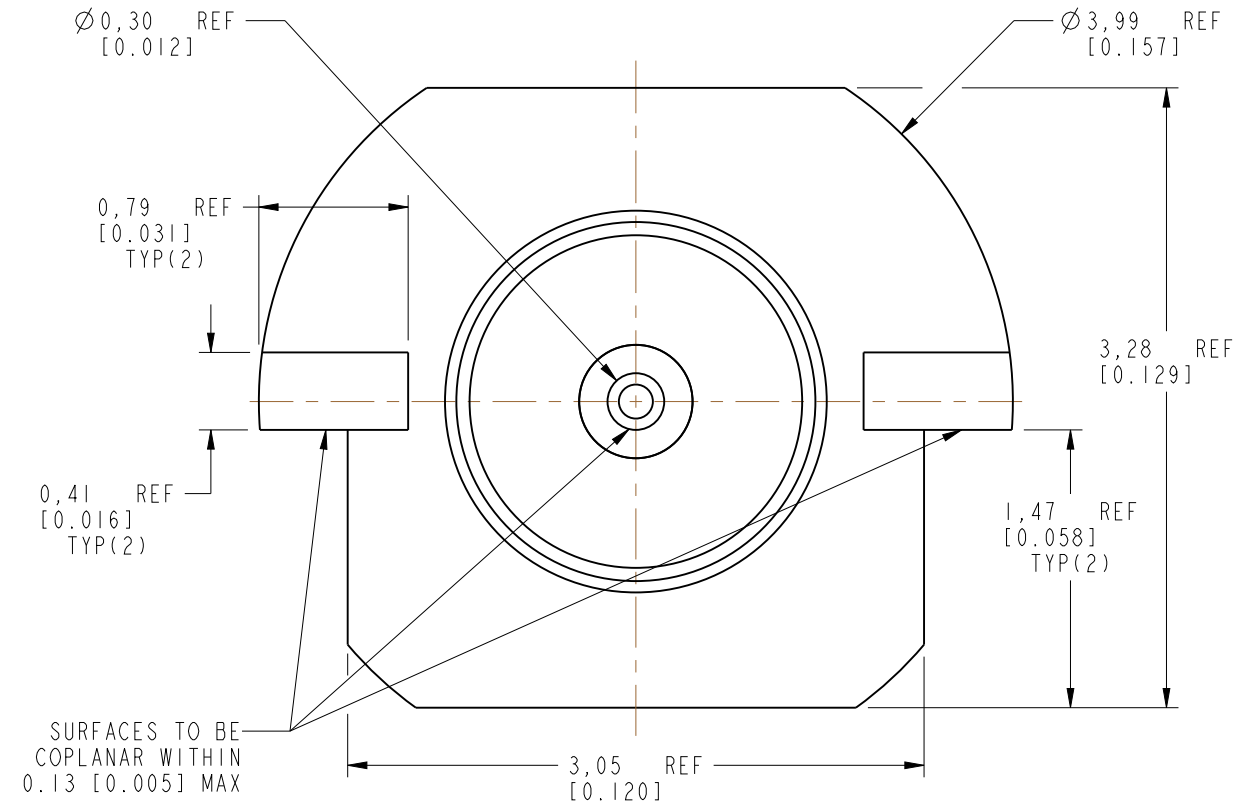
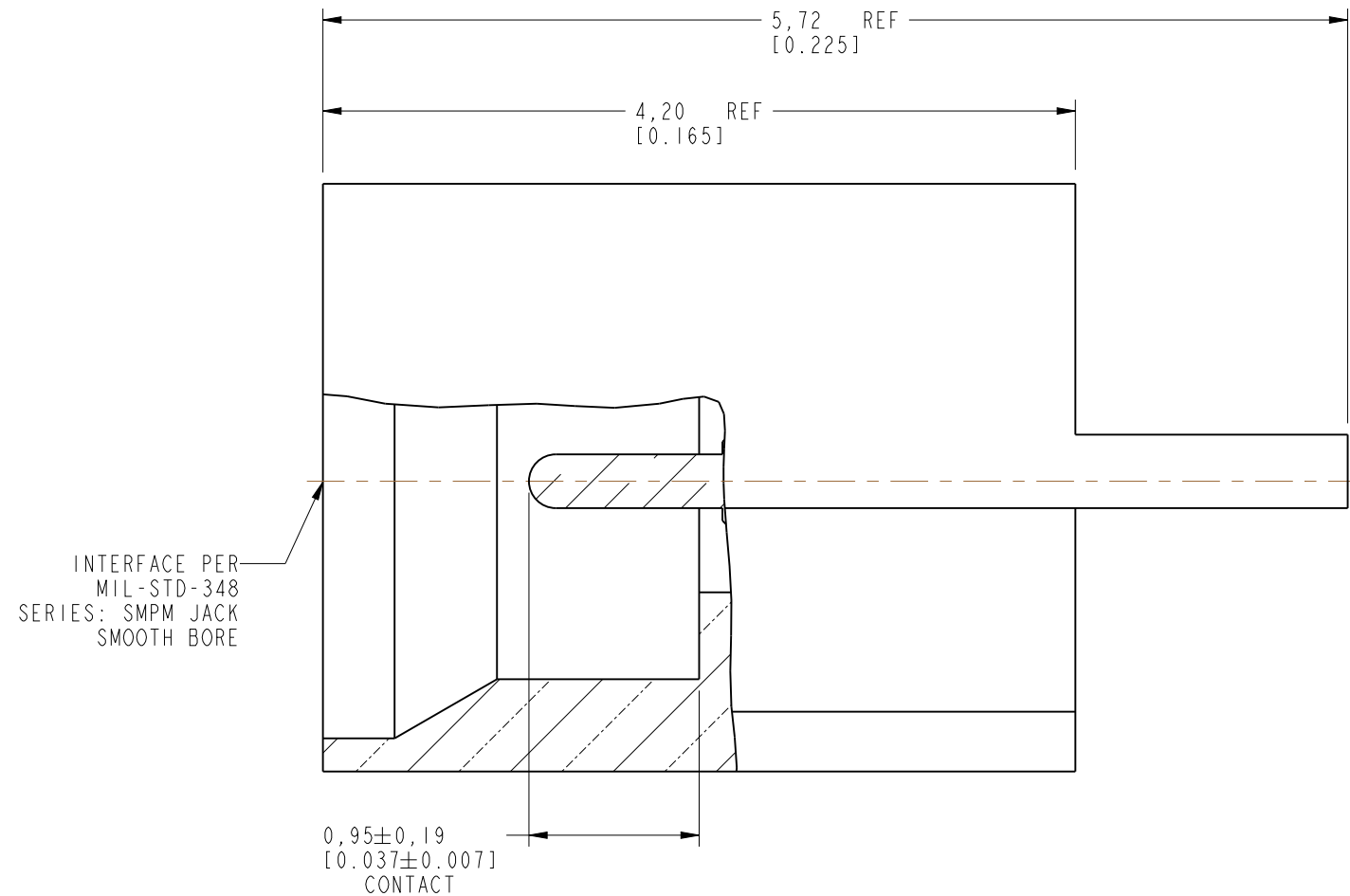
REVISIONS				
REV	DESCRIPTION	DATE	ECN	APPR
A	RELEASE TO MFG.	12-JUN-17	04003	BMG
B	OPTIMIZE COMPONENTS STRUCTURE FOR GOOD COAXIALITY	27-MAR-18	07445	MR
C	UPDATED PCB LAYOUT	03-MAY-22	16243	CC



**RECOMMENDED PCB LAYOUT**



SCALE 6.000



**CUSTOMER OUTLINE DRAWING**

ALL OTHER SHEETS ARE FOR INTERNAL USE ONLY

UNLESS OTHERWISE SPECIFIED, DIMENSIONS ARE IN METRIC AND TOLERANCES ARE: <0.5mm ±0.05mm    0.5 - 6mm ±0.1mm    6 - 30mm ±0.2mm    30 - 120mm ±0.3mm    ANGLES ±1°	MATERIAL SEE NOTES	DRAWN S. DUAN	DATE 27-MAR-18	TITLE SMPM STR JACK, SMOOTH BORE, EDGE MOUNT	Amphenol RF www.amphenolrf.com
	REFERENCE EAR# 7607	ENGINEER B. GREENBAUM	DATE 12-Jun-17		
NOTICE - These drawings, specifications, or other data (1) are, and remain the property of Amphenol corp. (2) must be returned upon request; and (3) are confidential and not to be disclosed to any person other than those to whom they are given by Amphenol Corp. the furnishing of these drawings, specifications, or other data by Amphenol Corp., or to any other person to anyone for any purpose is not to be regarded by implication or otherwise in any manner licensing, granting rights to permitting such holder or any other person to manufacture, use or sell any product, process or design, patented or otherwise, that may in any way be related to or disclosed by said drawings, specifications, or other data.	REF:	APPROVED	DATE	SCALE: 25.0:1.0 SHEET 2 OF 2	ITEM NO. 925-169J-51P
	CONFIGURATION LEVEL: In Work	CAD FILE	DWG SIZE B	REV C	PART NO. 925-169J-51P
	FINISH				