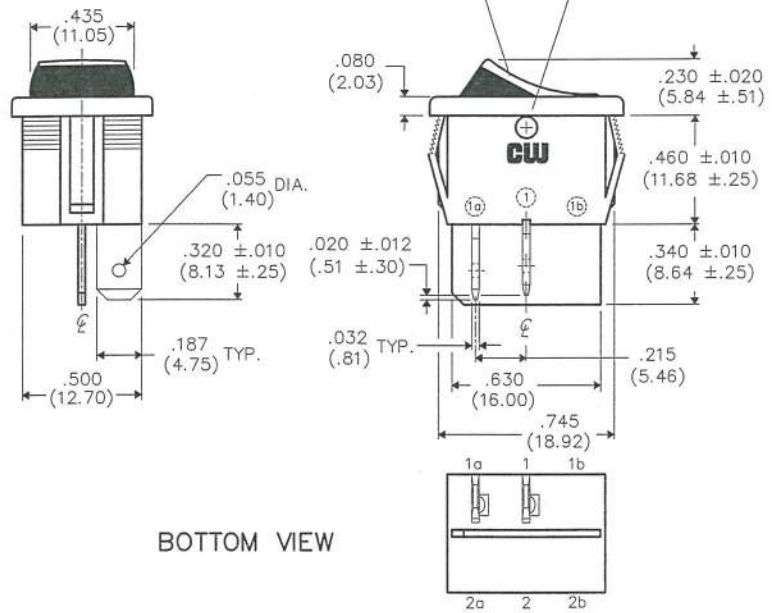
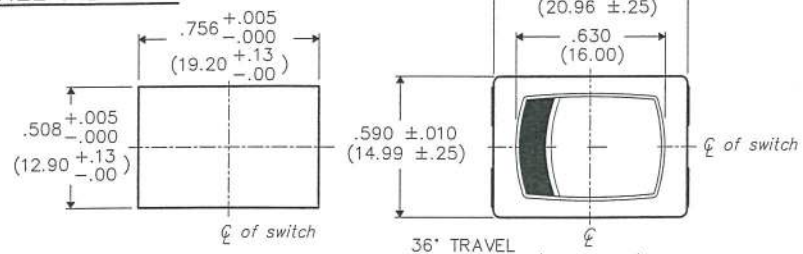


THIS INFORMATION IS CONFIDENTIAL AND PROPRIETARY TO CW INDUSTRIES INCORPORATED AND ITS AFFILIATES. IT MAY NOT BE DISCLOSED TO ANYONE OTHER THAN CW INDUSTRIES PERSONNEL, WITHOUT WRITTEN AUTHORIZATION FROM CW INDUSTRIES INCORPORATED, SOUTHAMPTON, PENNSYLVANIA USA.

DIMENSIONS IN INCHES (MILLIMETERS)
DO NOT SCALE DRAWING

Dwg. No.
GRS-4011-0138

PANEL PIERCING



BOTTOM VIEW

UL, CSA & VDE LISTED:

16A 125 - 250VAC 3/4H.P. 125 - 250VAC
3A 125V L 10A 14V(T)
10(4) 250 ~ 4 T85'

MATERIALS:

BUTTON - NYLON 6/6 94V-2 COLOR, BLACK/RED
HOUSING - NYLON 6/6 94V-2 COLOR, BLACK
TERMINAL & MOVING CONTACT - COPPER ALLOY

1 2 3 4 5 6 7 8 9 10

B-FORMAT 2002	REVISIONS	0	RELEASED: DGW 2-25-2013 FEB 26 2013		PDF MADE	SOUTHAMPTON, Pa. 18966	Title: 2 COLOR ROCKER SWIDGET ASSEMBLY SP/ST (POP-IN)	
		TOLERANCES UNLESS OTHERWISE SPECIFIED					Division: SWITCH	
		2 Place Decimal ±.010 METRIC 3 Place Decimal ±.005 1 Place Dec. ±.25mm Angles ±1' 2 Place Dec. ±.13mm					Dwg. No. GRS-4011-0138	
		Made for: CW IND. Drawn by: DGW 2-25-2013 Checked by: <i>G. Guld 2-26-13</i> Approval: <i>E. H. 2/26/13</i>						

MASTER