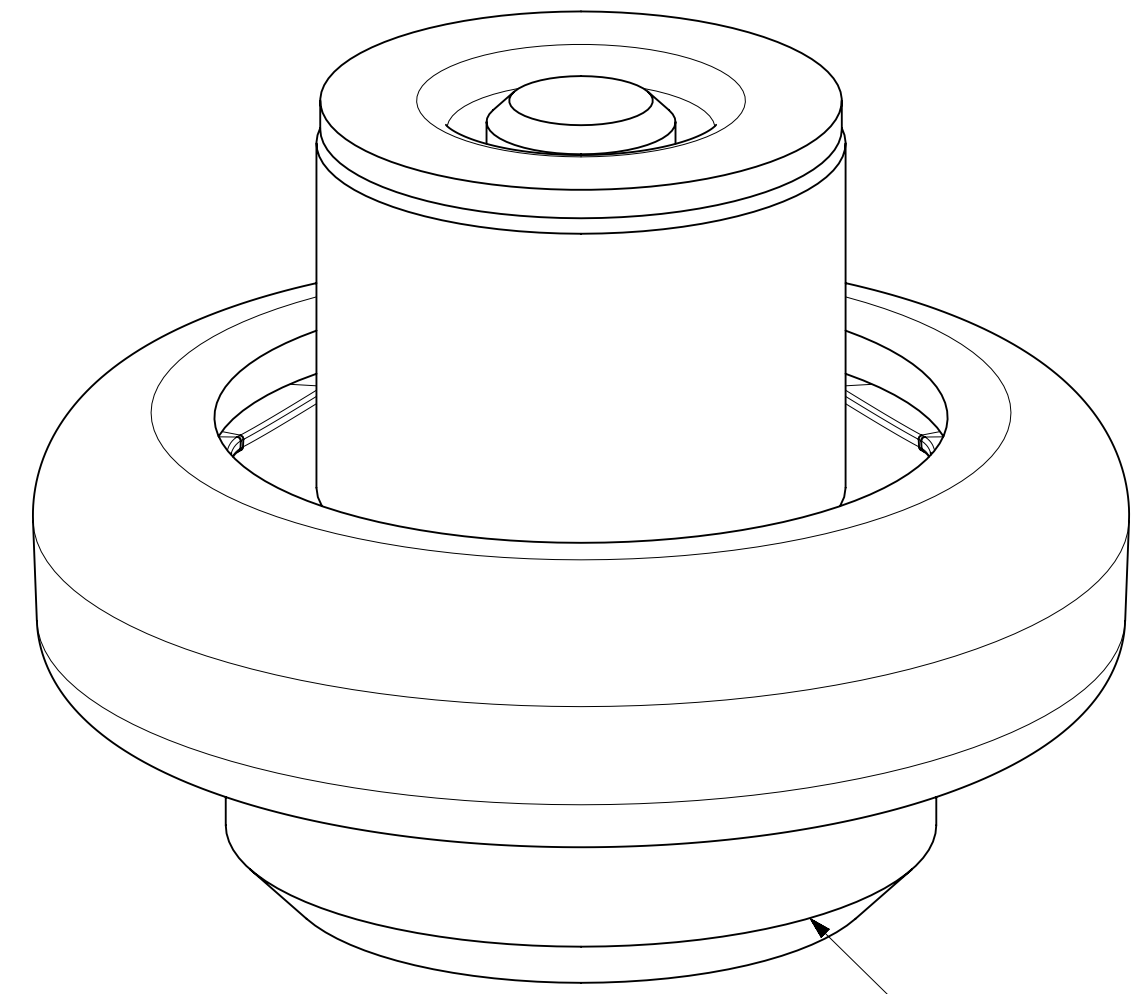
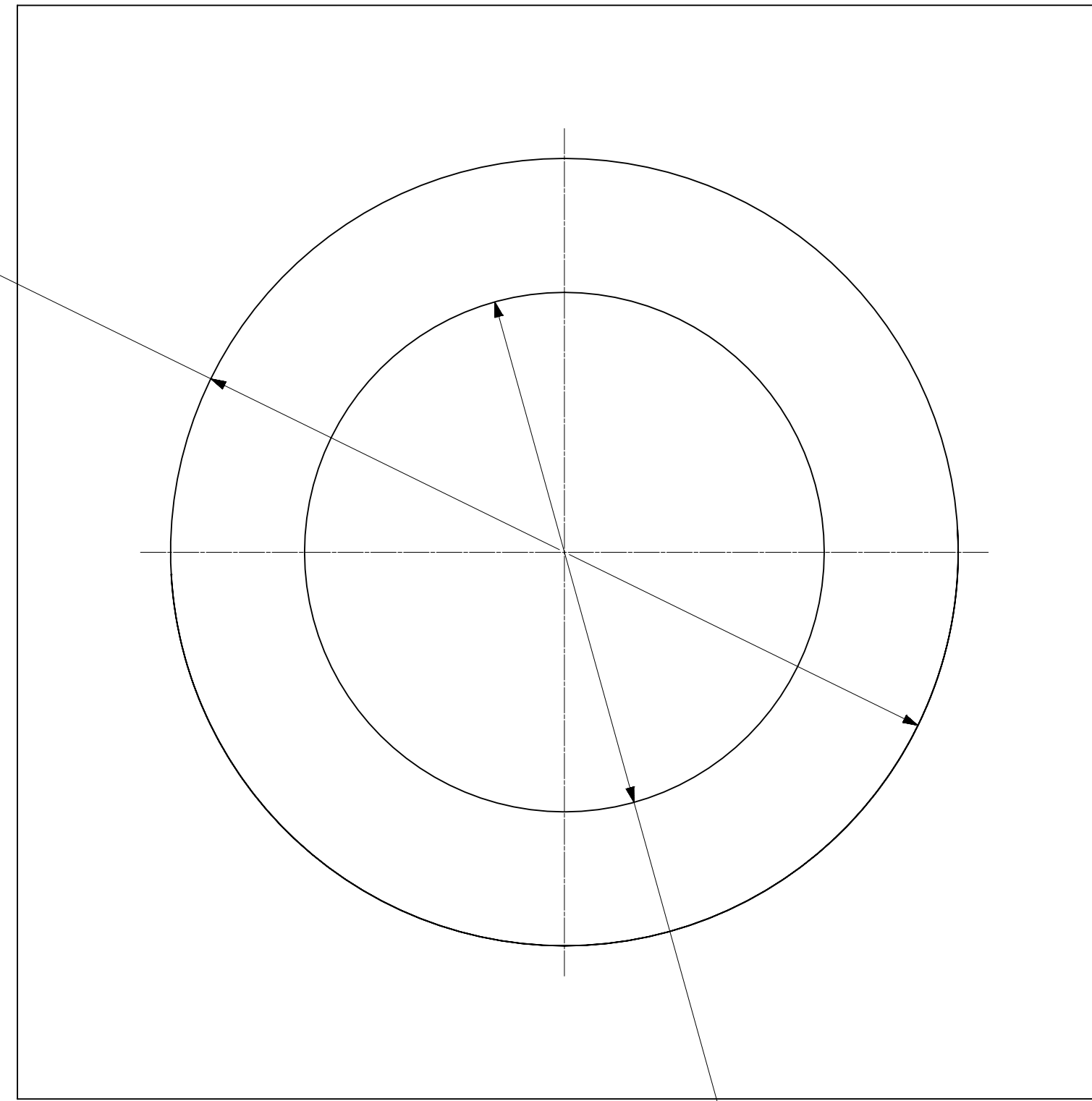


# RECOMMENDED PCB LAYOUT

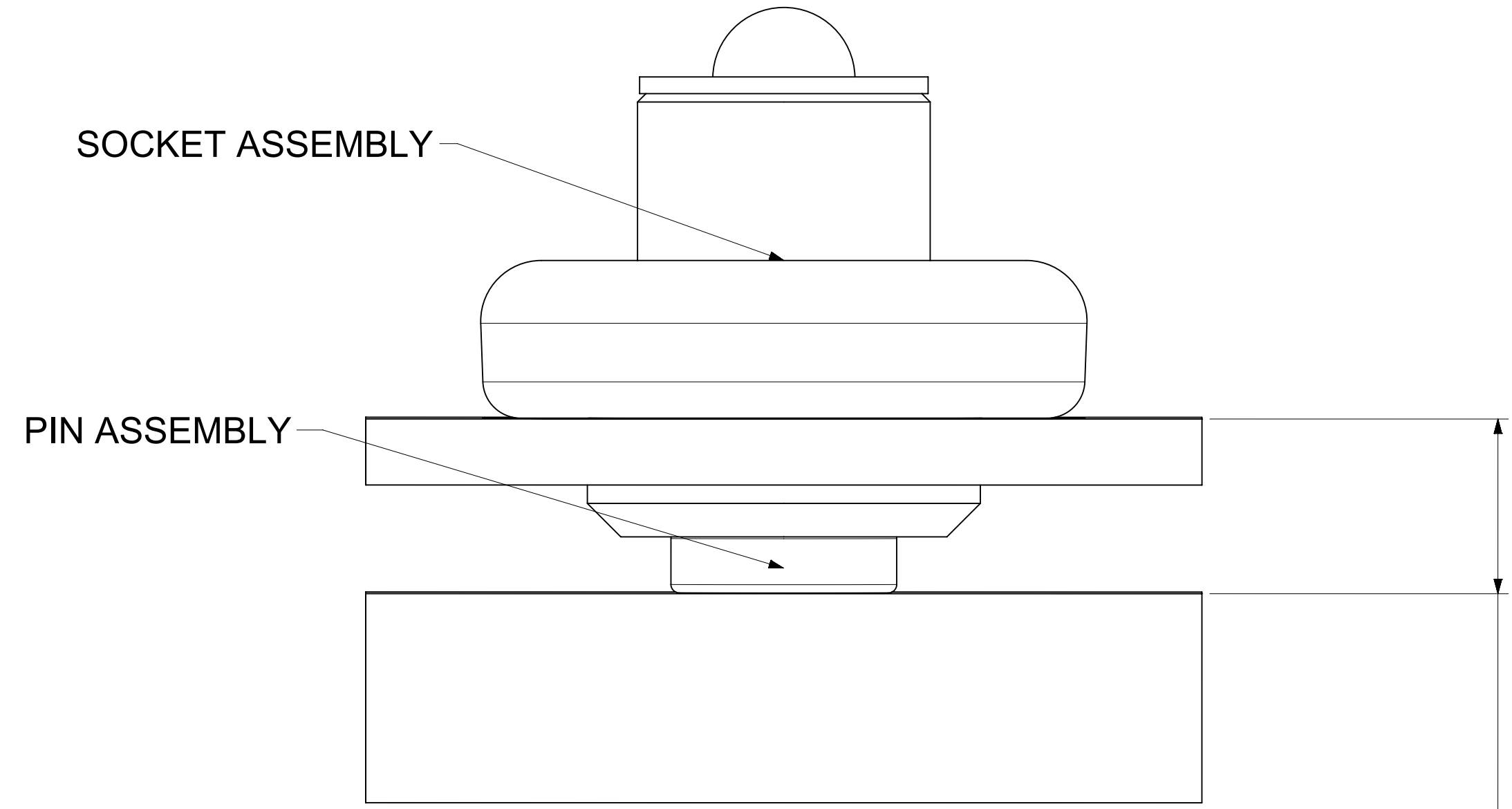


REMOVABLE  
PICK AND PLACE  
CAP SHOWN

Ø14.40 ±0.10  
PAD

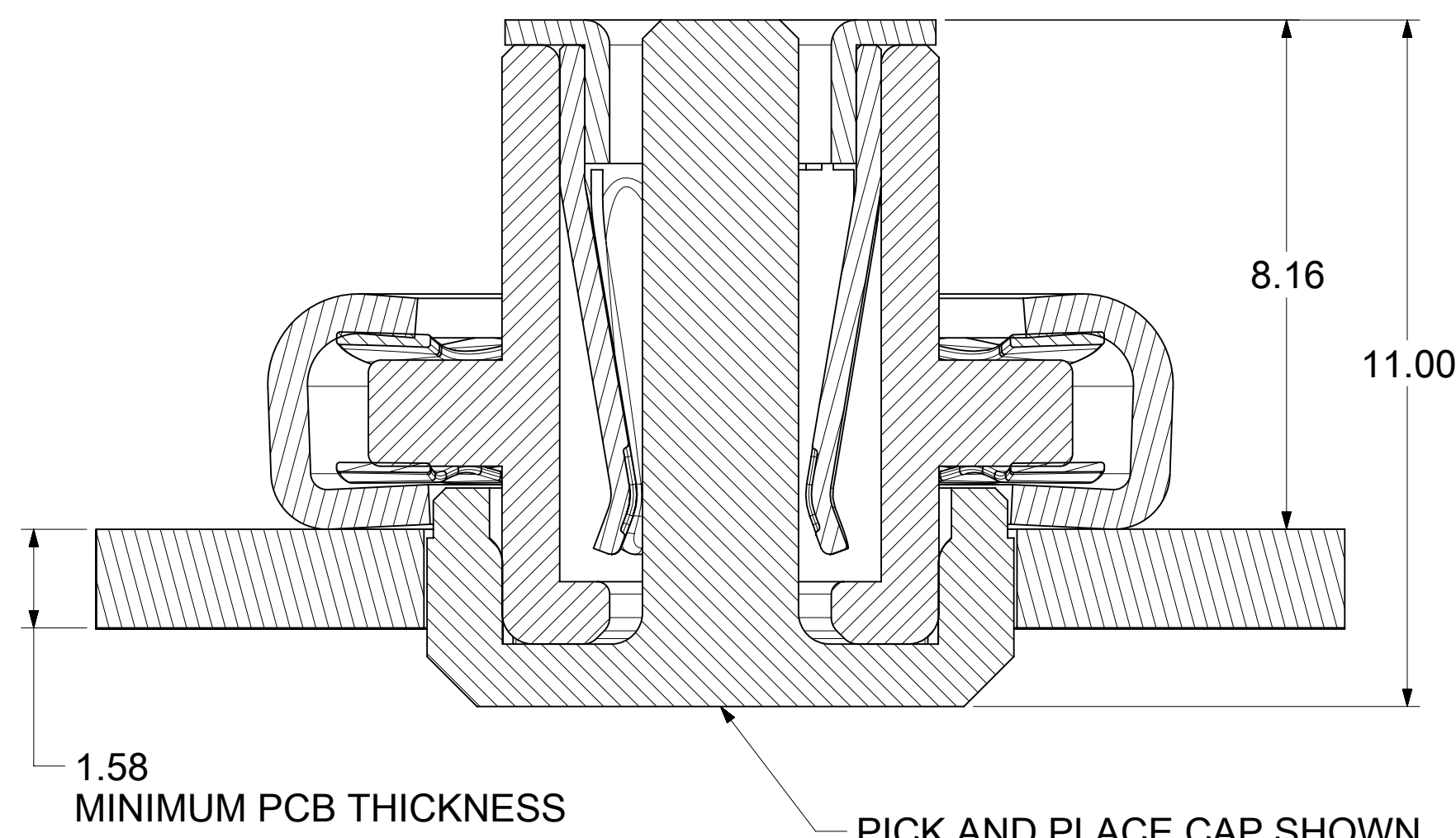
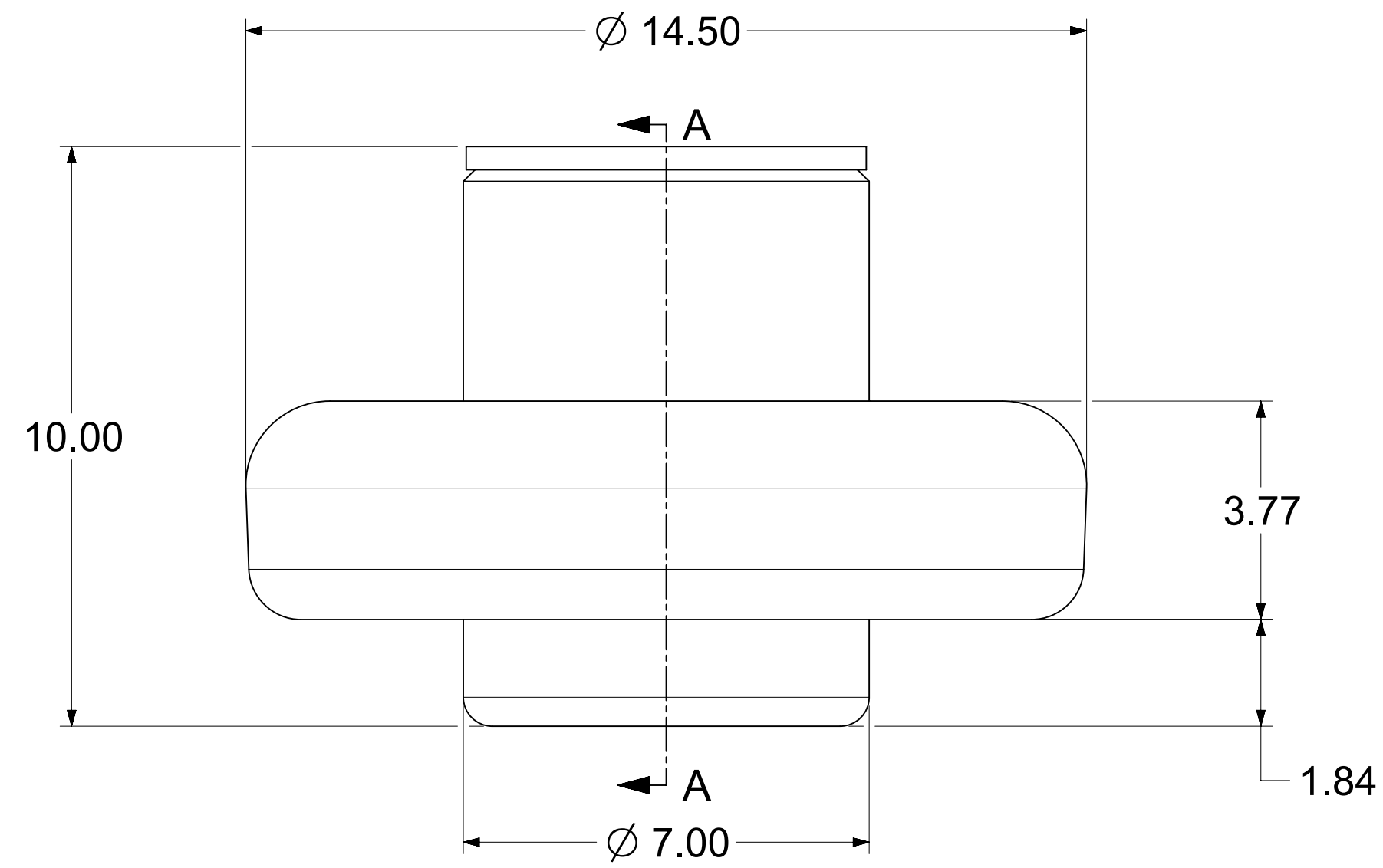


Ø9.50 <sup>+0.10</sup>/<sub>-0.00</sub> PTH  
SEE NOTE 5 FOR DETAILS



MATING PROFILE

RECOMMENDED  
MINIMUM MATING  
HEIGHT (SEE NOTE 3)



SECTION A-A

### NOTES:

1. MATERIALS: COPPER ALLOY
2. PLATING:
  - i. CONTACT AREA: GOLD
  - ii. REST: SILVER WITH TARNISH INHIBITOR
3. MATES WITH STANDARD PIN DRAWINGS (MATING DISTANCE BASED ON 1.58MM BOARD THICKNESS):
  - i. 3.4MM SMT DRAWING 2032631134-SD, MIN. MATING DISTANCE 3.34MM
  - ii. 3.4MM PRESS FIT DRAWING 2032630018-SD, MIN. MATING DISTANCE 3.09MM
4. PRODUCT SPECIFICATION: 2043130018-PS
5. APPLICATION SPECIFICATION: 2043130018-AS  
SEE APPLICATION SPEC FOR SOLDERING INFORMATION.
6. PACKAGING SPECIFICATION: 2121955118-PK
7. SILVER COMPONENTS WILL BE SUPPLIED TARNISH FREE BUT MAY TARNISH OVER TIME.
8. PICK AND PLACE CAP TO BE REMOVED AFTER SOLDERING.  
CAP TO BE PUSHED OUT OF BOTTOM FROM THE TOP.

FUNCTIONAL SYMBOLS	THIS DRAWING CONTAINS INFORMATION THAT IS PROPRIETARY TO MOLEX ELECTRONIC TECHNOLOGIES, LLC AND SHOULD NOT BE USED WITHOUT WRITTEN PERMISSION											
	FA = 0	mm	NTS	CURRENT REV DESC: UPDATED THE TITLE BLOCK								
DIVISIONAL SYMBOLS	GENERAL TOLERANCES (UNLESS SPECIFIED)			EC NO: 730607								
	FC = 0	ANGULAR TOL ± 0.5°			DRWN: SOURAJ 2022/11/30							
DIVISIONAL SYMBOLS	FP = 0	4 PLACES	±	CHK'D: GSHARMA 2022/12/08							PRODUCT CUSTOMER DRAWING	
	3 PLACES	±	APPR: HTHYAGARAJ 2022/12/14									
	2 PLACES	±	0.15	INITIAL REVISION: 2020/06/01							DOCUMENT NUMBER: 2121955118-SD DOC TYPE: PSD DOC PART: 000 REVISION: A2	
	1 PLACE	±	0.25	DRWN: JJONIAK 2020/10/29								
0 PLACES	±		APPR: BPISZCZOR							MATERIAL NUMBER: 2043655118 CUSTOMER: GENERAL MARKET SHEET NUMBER: 1 OF 1		
DRAFT WHERE APPLICABLE MUST REMAIN WITHIN DIMENSIONS			THIRD ANGLE PROJECTION		DRAWING: D-SIZE		SERIES: 212195					