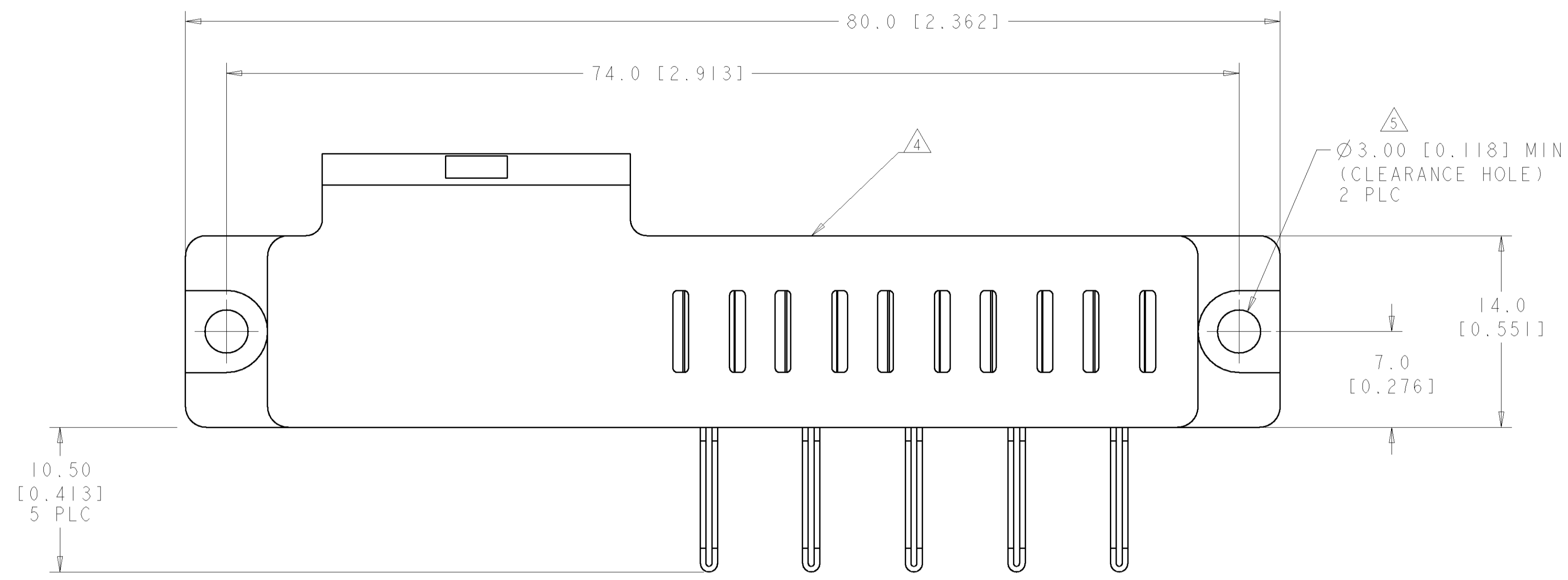


LOC	DIST	REVISIONS			
P	LTR	DESCRIPTION	DATE	DWN	APVD
A		RELEASED	20SEP2006	RG	DL

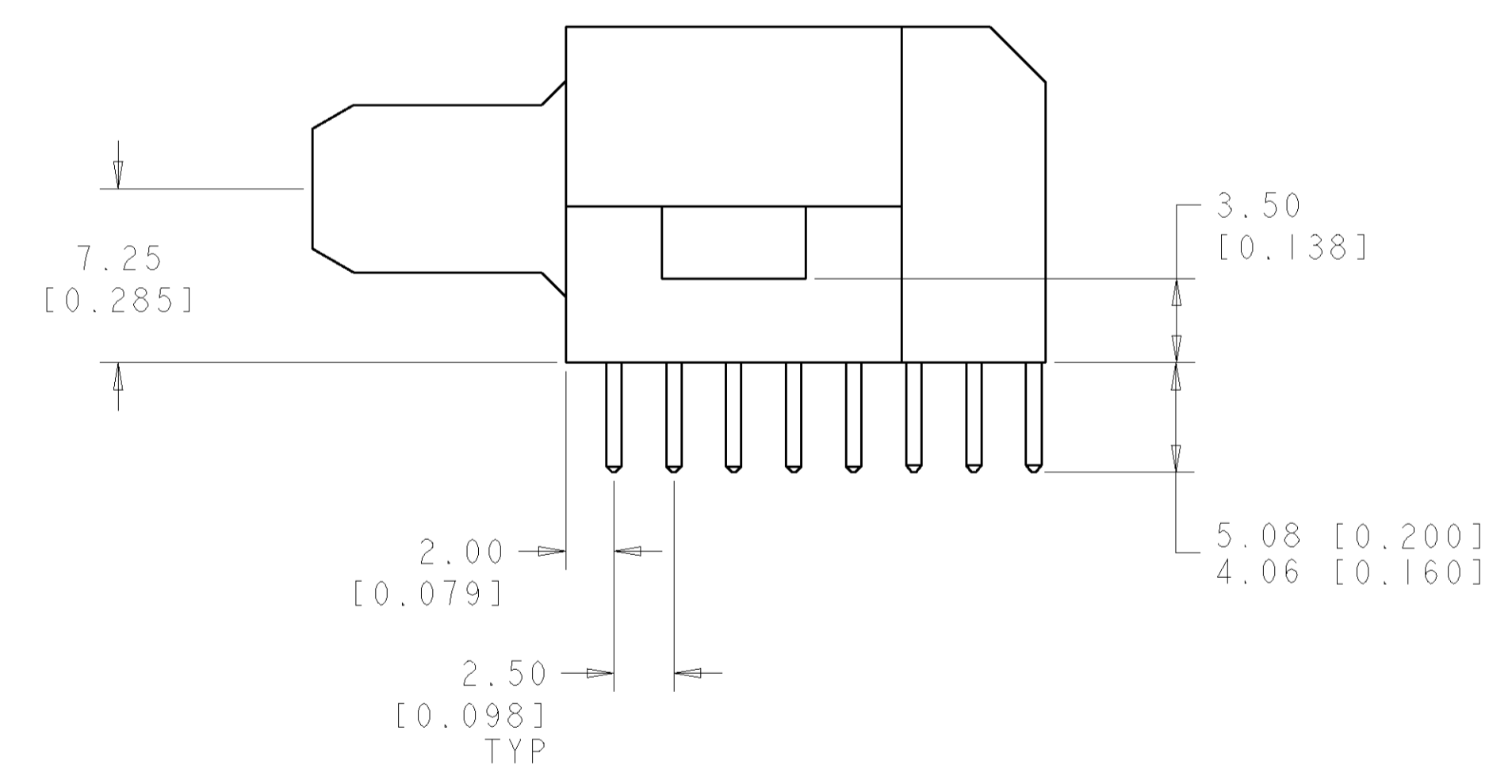
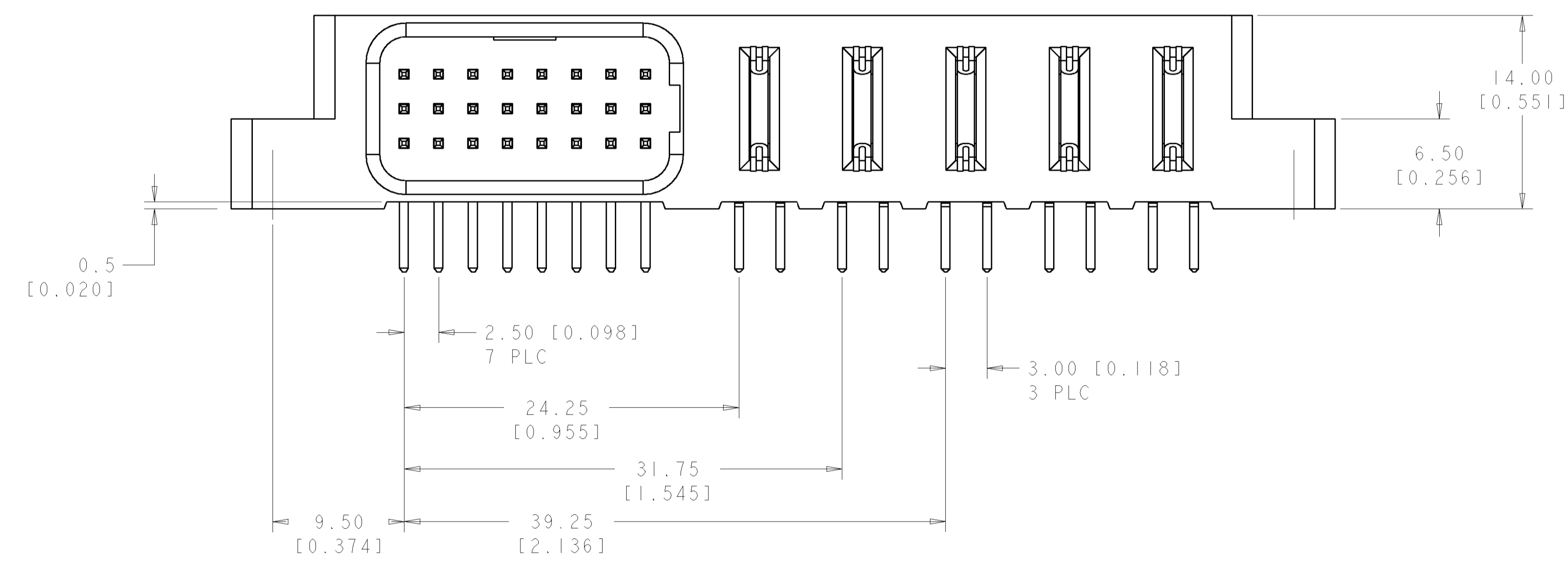


- PART NUMBER CHANGES AND OR DESIGN CHANGES AFFECTING ITEM INTERCHANGEABILITY REQUIRE PRIOR TYCO APPROVAL AND AUTHORIZATION BY REVISION TO THIS DRAWING.
- MATERIAL:
  - INSULATORS - THERMOPLASTIC, GLASS REINFORCED, COLOR: BLACK UL94V-0 FLAMMABILITY RATED.
  - POWER CONTACTS - PHOSPHOR BRONZE ALLOY, COPPER ALLOY
  - CROWN BANDS - BERYLLIUM COPPER ALLOY
  - SIGNAL CONTACTS - BRASS ALLOY
- FINISH:
  - CONTACTS - GOLD PLATE .000030 INCH MIN. THK., OVER NICKEL .000040 INCH MIN. THK SOLDER TAILS, TIN, .000100 INCH MIN. THK.

ITEMS PROVIDED TO THIS SPECIFICATION TO BE PERMANENTLY IDENTIFIED PER THE FOLLOWING IDENTIFIER LABEL

YEAR WEEK  
 TYCO PART NO. DATE CODE (e.g. 0106)  
 XXXXXXXX-X XXXX

- △ MOUNTING FLANGES ACCEPTS M3 OR #4-40 SCREWS (USER SUPPLIED)
- MATES WITH 6651647-1

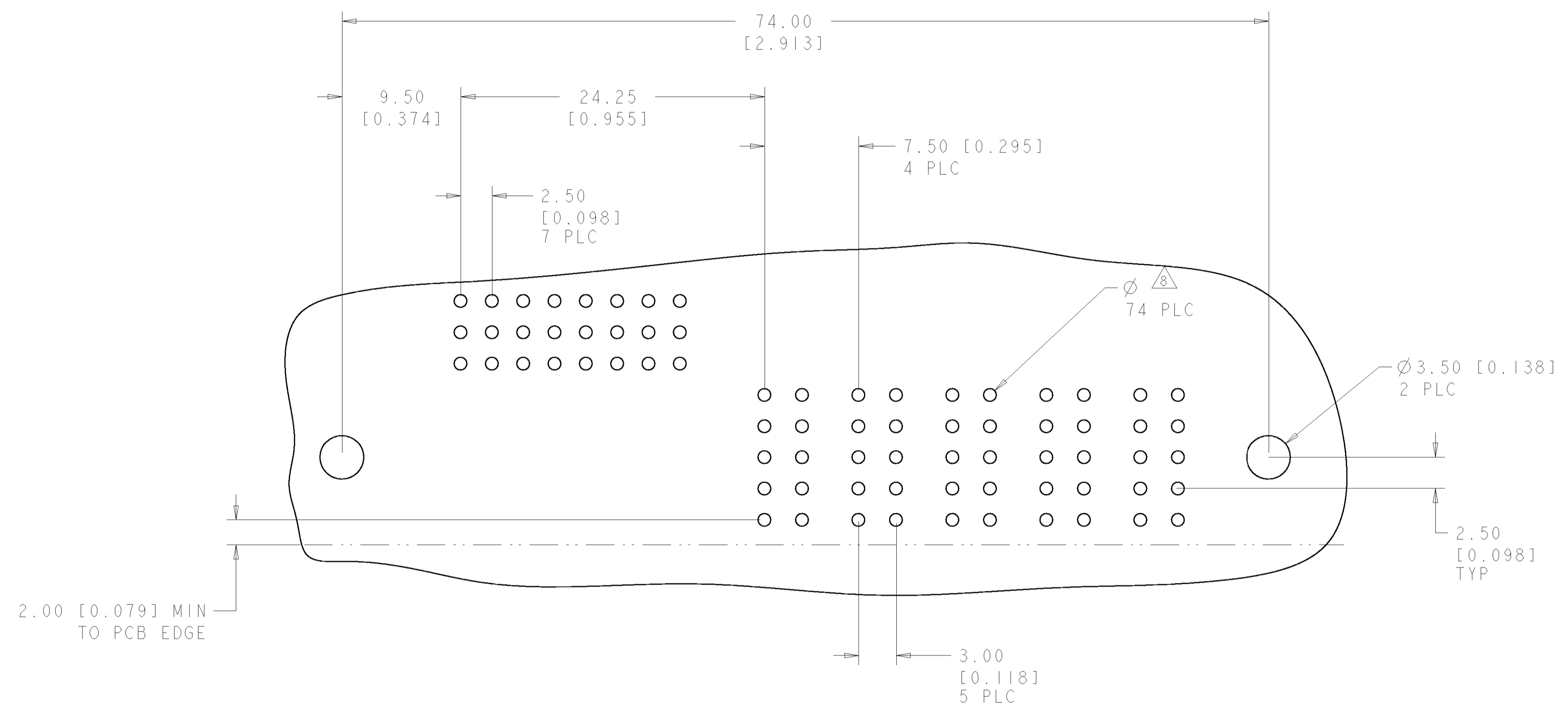


ELCON FLATPAQ

AS SHOWN	6651646-1
DESCRIPTION	PART NUMBER

DIMENSIONS: mm [INCHES] TOLERANCES UNLESS OTHERWISE SPECIFIED: 0 PLC ±.5 [0.020] 1 PLC ±.5 [0.020] 2 PLC ±.25 [0.010] 3 PLC ±.25 [0.010] 4 PLC ±.25 [0.010] ANGLES ±.5		DWN: B. GRZYBOWSKI 20SEP106 ENR: D. LORD 20SEP106 APVD: S. FLICKINGER 20SEP106 PRODUCT SPEC: - APPLICATION SPEC: - WEIGHT: - CUSTOMER DRAWING: -	Tyco Electronics Harrisburg, PA 17105-3608 NAME: TOP ASSEMBLY CONNECTOR, PIN RIGHT ANGLE, SOLDER TAILS SIZE: A   00779   C=6651646 SCALE: 3:1 SHEET 1 OF 3 REV A
---	--	--	--

LOC	DIST	REVISIONS			
P	LTR	DESCRIPTION	DATE	DRN	APVD
-	-	SEE SHEET 1	-	-	-



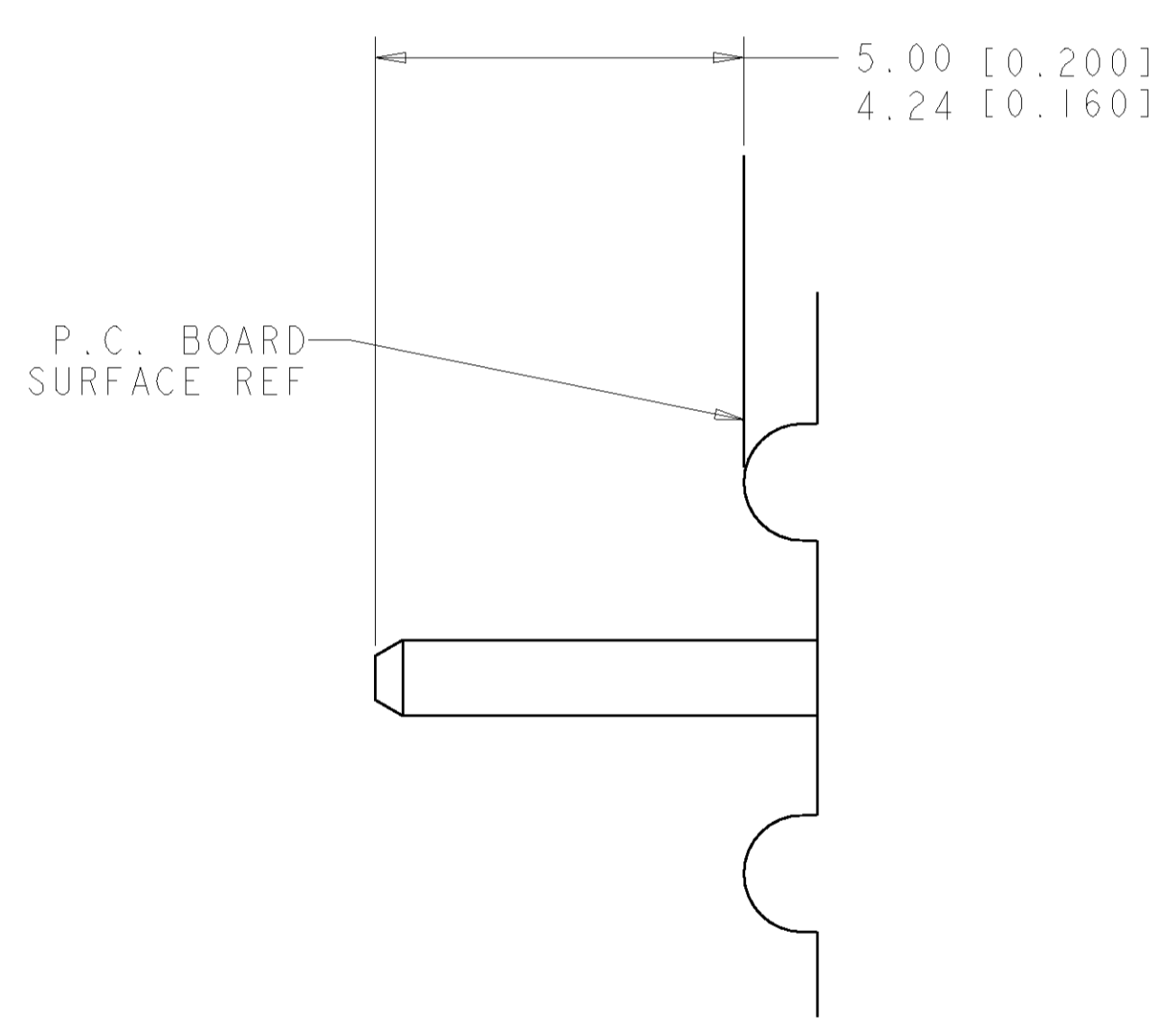
PRINTED CIRCUIT LAYOUT  
 COMPONENT SIDE

CONNECTOR	CATALOG MODULE #	QTY	SIZE NO.	CONTACT QTY	MATING PIN	MAX. CURRENT (PER CONTACT)	CONTACT SPACING	VOLTAGE RATING
PIN	FP707	5	8	5	1.25 X 7.00 [.049 X .276]	35 amps	7.50 [.2953]	250
		1	22	24	.64 [.025] SQ.	3 amps	2.50 [.0984]	125 VOLTS

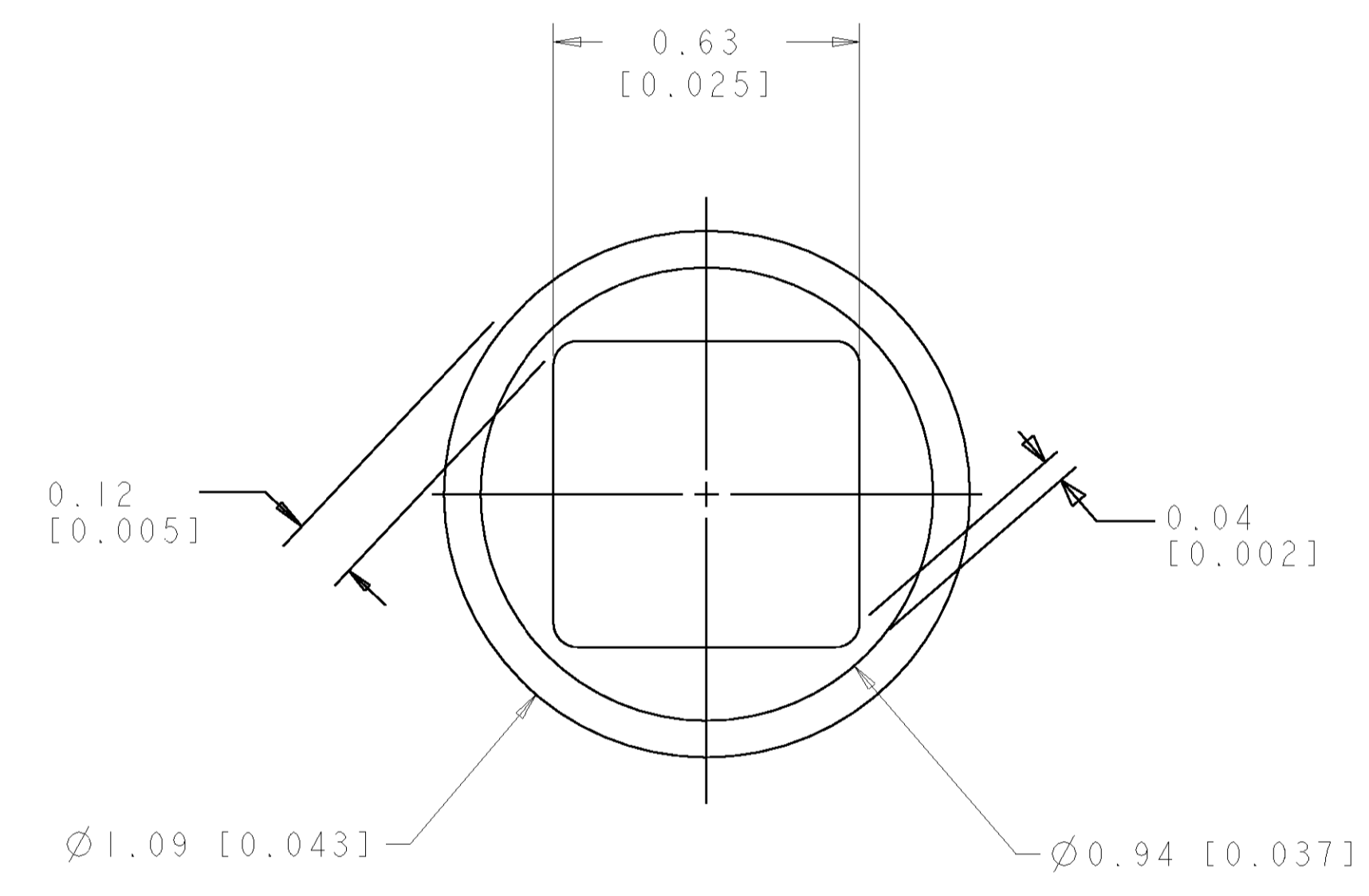
ELCON FLATPAQ

DIMENSIONS: mm [INCHES]		TOLERANCES UNLESS OTHERWISE SPECIFIED: 0 PLC ±.5 [.020] 1 PLC ±.5 [.020] 2 PLC ±.25 [.010] 3 PLC ±.25 [.010] 4 PLC ±.25 [.010] ANGLES ±.5		DRN: B. GRZYBOWSKI 20SEPT06 ENR: D. LORD 20SEPT06 APVD: S. FLICKINGER 20SEPT06		Tyco Electronics Harrisburg, PA 17105-3608	
MATERIAL: - FINISH: -		WEIGHT: - CUSTOMER DRAWING		NAME: TOP ASSEMBLY CONNECTOR, PIN RIGHT ANGLE, SOLDER TAILS PRODUCT SPEC: - APPLICATION SPEC: -		SIZE: A   00779   C=6651646 RESTRICTED TO: -	
SCALE: 3:1				SHEET: 2 OF 3		REV: A	

LOC	DIST	REVISIONS					
		P.	LTR	DESCRIPTION	DATE	DWN	APVD
GP	00	-	-	SEE SHEET 1	-	-	-



7. SOLDER TAIL DETAIL  
 SCALE 10 : 1



**△ SOLDER TERMINATION AREA**  
 SCALE 40:1  
 RECOMMENDED PRINTED SOLDER CIRCUIT HOLE  
 FINISHED HOLE:  $\varnothing 1.02$  [.040]  $\pm .008$  [.0003]  
 DRILLED HOLE:  $\varnothing 1.15$  [.0453]  $\pm .013$  [.0005]  
 COPPER PLATE: .025 [.0010] MIN.  
 TIN PLATE: .008 [.0003] MIN. (PER SURFACE)

<small>THIS DRAWING IS UNPUBLISHED. RELEASED FOR PUBLICATION. ALL RIGHTS RESERVED. © TYCO ELECTRONICS CORPORATION. THIS DRAWING IS THE PROPERTY OF TYCO ELECTRONICS CORPORATION. IT IS TO BE USED FOR THE DESIGN AND CONSTRUCTION OF THE ORGANIZATION'S PRODUCTS ONLY. CONTACT TYCO ELECTRONICS CORPORATION FOR MORE INFORMATION.</small>		DWN: B. GRZYBOWSKI CHK: D. LORD APVD: S. FLICKINGER	Z0SEPT06 Z0SEPT06 Z0SEPT06	<b>tyco</b> Electronics Tyco Electronics Harrisburg, PA 17105-3608
DIMENSIONS: mm [INCHES]	TOLERANCES UNLESS OTHERWISE SPECIFIED: 0 PLC $\pm$ 1 PLC $\pm .5$ [.020] 2 PLC $\pm .25$ [.010] 3 PLC $\pm$ 4 PLC $\pm$ ANGLES $\pm 5$ FINISH -	PRODUCT SPEC APPLICATION SPEC WEIGHT CUSTOMER DRAWING	NAME: TOP ASSEMBLY CONNECTOR, PIN RIGHT ANGLE, SOLDER TAILS SIZE: A   00779   C=6651646 SCALE: 3:1   SHEET: 3 OF 3   REV: A	RESTRICTED TO: -